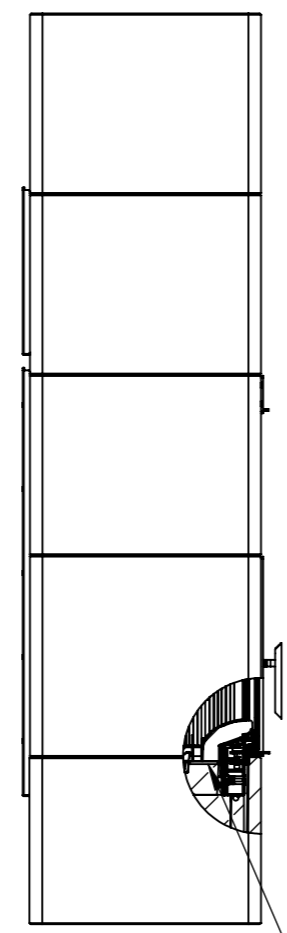
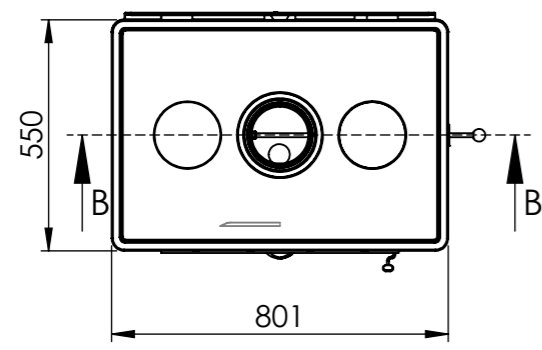
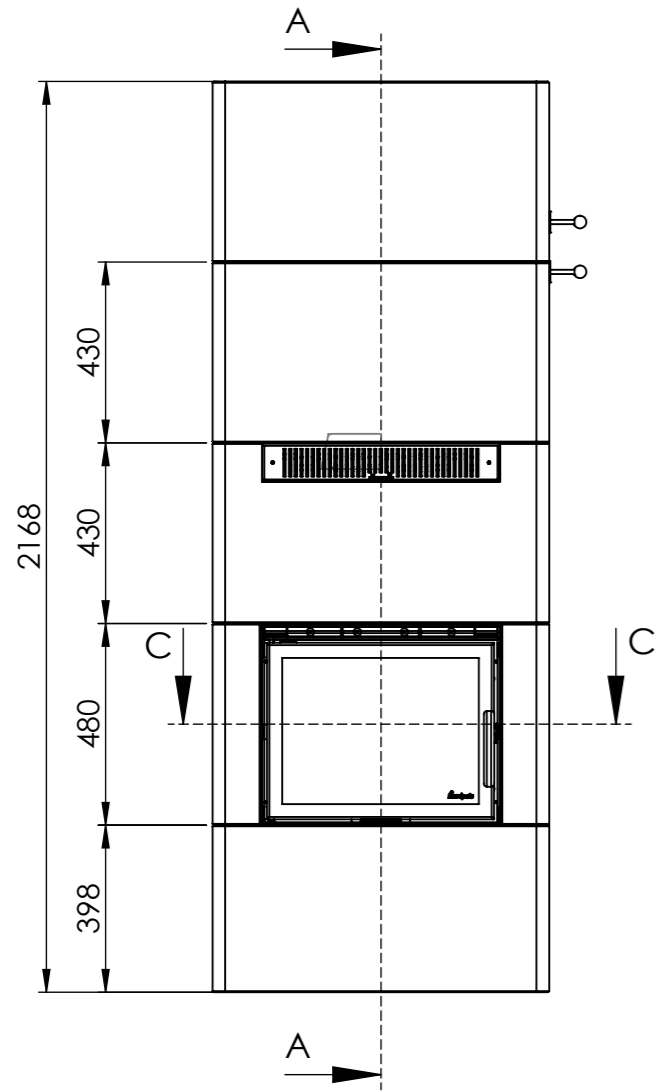
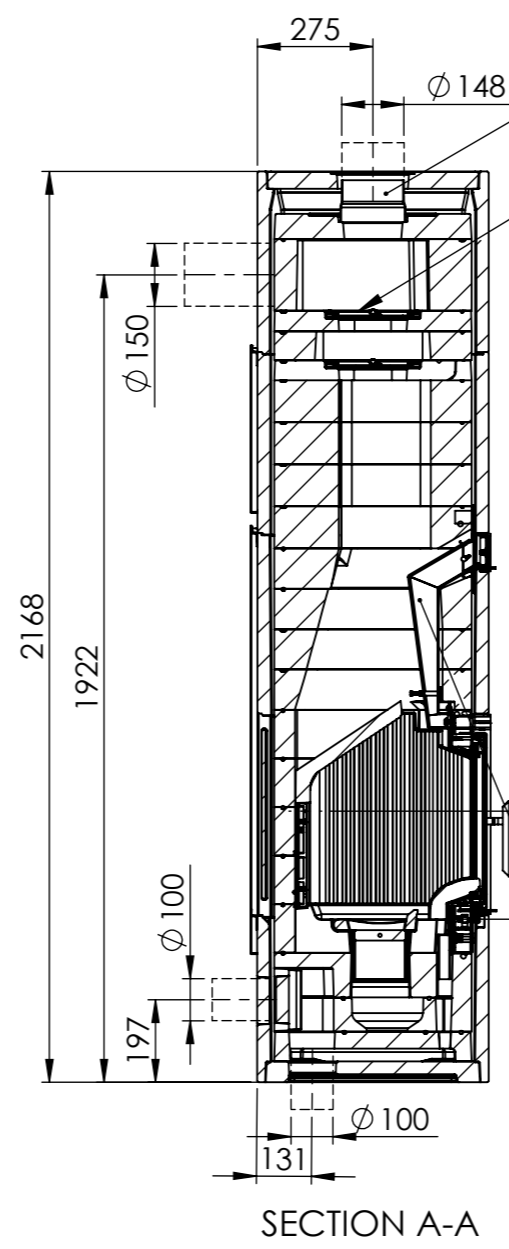


This document is Nordpeis (Nordpeis Sp. z o.o.) exclusive intellectual property. It must be treated as strictly confidential and must not be copied or communicated to any third person without Nordpeis (Nordpeis Sp. z o.o.) written permission.

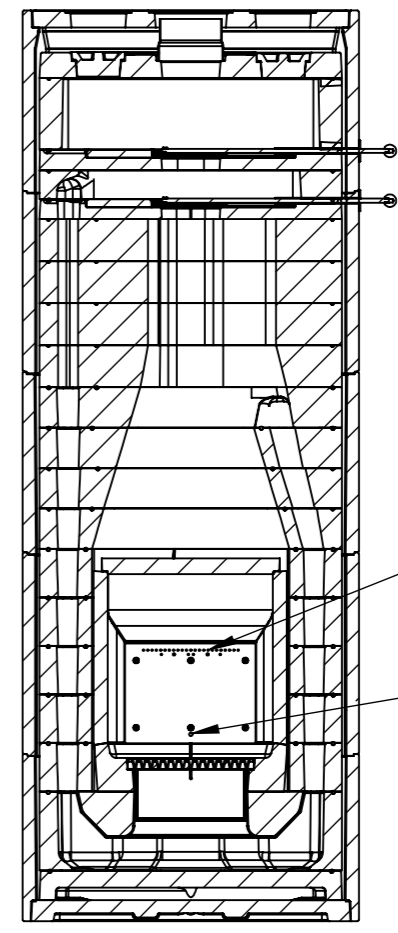


Air inlets:
min surface 0 cm²
max surface 5,5 cm²



SECTION A-A

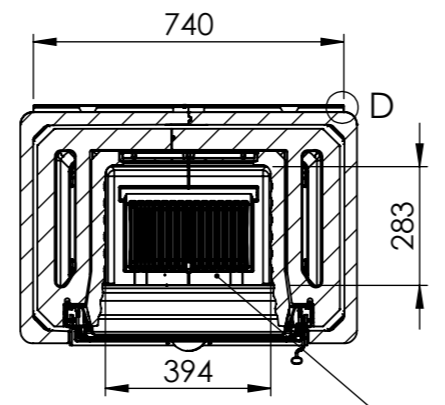
Flue outlet
max surface 176,6 cm²
Flue outlet
min surface 19,6 cm²



SECTION B-B

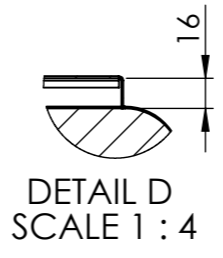
Air intels:
Total surface: 3,96 cm²
(fi4x27, fi6x2)
Air inlet:
Surface: 0,5 cm² (fi8x1)

Air circulation chanel



SECTION C-C

Combustion chamber
surface 1115 cm²



DETAIL D
SCALE 1 : 4



	NAME	SIGNATURE	DATE
DRAWN	K.Kościełnik		2013-05-29
CHK'D	P.Żabiński		
APPV'D	Ł.Keşy		



WEIGHT: 1273,22 (kg)

NAME:
Salzburg L +1 - Technical specification

MATERIAL:

A3

SCALE:1:18

SHEET 1 OF 1