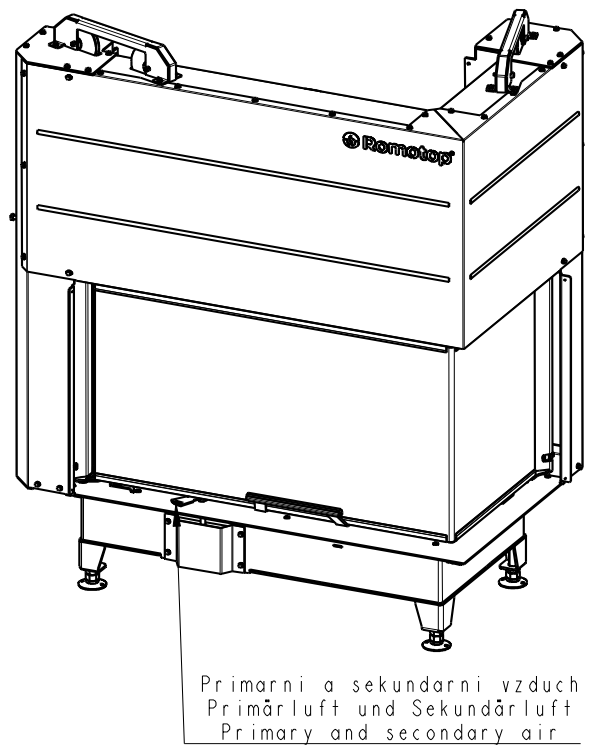
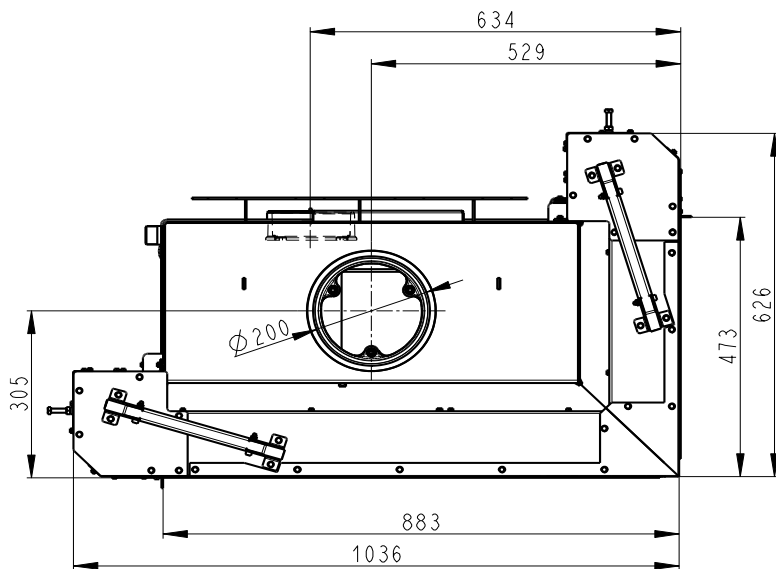
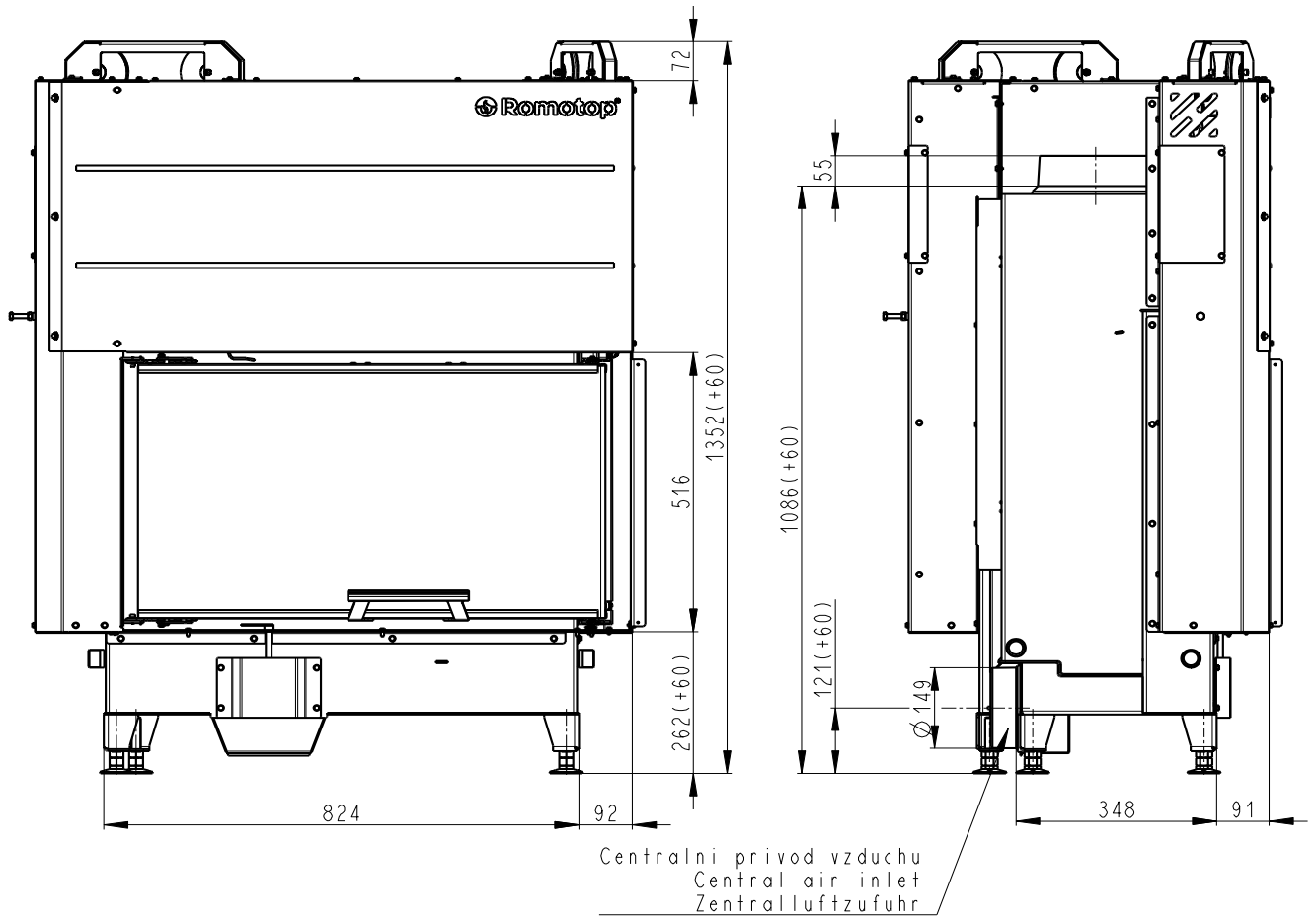


HEAT R/L 2g L 81.51.40.01



Artikl	HR2LF 01 / HL2LF 01
--------	---------------------

General data

Nominal heat output	kW	12
Efficiency	%	83
Mass of the test fuel fired hourly	kg/h	3,40
Dry flue gases mass flow	g/s	9,9
Mean flue gas temperature	°C	248
Flue draught	Pa	12
Weight	kg	260
CO ₂	%	10,02

Recommended values

Reg.output	kW	6 – 16
Max. mass of the test fuel fired hourly	kg/h	4,51
Min. cross section of convect air inlet for nominal output	cm ²	880
Min. cross section of convect air outlet for nominal output	cm ²	1120
Combustion air requirement	m ³ /h	28,41
Flue gas connector diameter	mm	200

Meets requirement limit values for

EN 13 229	•
BImSch V 1	•
BImSch V 2	•
DIN plus	•
15a B-VG	•

Supplied accessories

Holder with magnet	•
Hook to open the ashtray	-
Ashtray	-