

Detail of connection scheme of stoves and fireplaces with accumulation tank

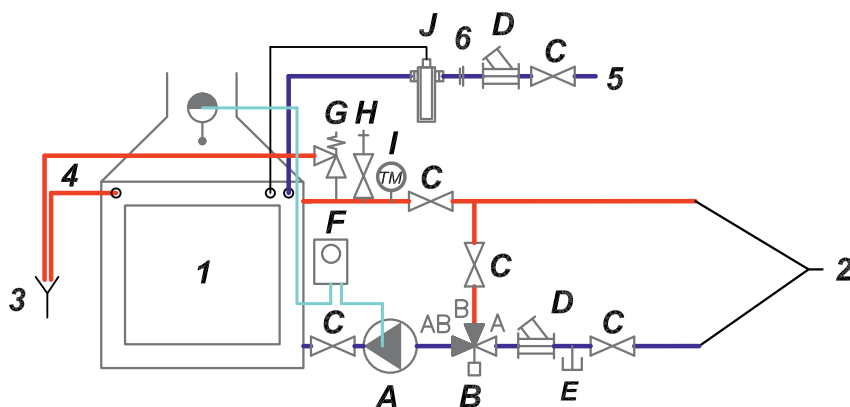


Table of descriptions:

1	Stove/fireplace with hot water exchanger
2	Connection to accumulation tank
3	Connection to drain
4	Drain pipe
5	Connection to cold water – central house piping
6	Transition from polypropylene to copper piping

Table of fittings:

A	Circulation pump - fireplace
B	TSV3B valve - thermostatic mixing valve 65°C
C	Ball valve
D	Filter
E	Dump valve
F	Capillary thermostat
G	Safety valve – 2 bar
H	Automatic air vent valve
I	Thermomanometer
J	BVST - Thermostatic safety valve - with capillary

Detail of connection scheme of stoves and fireplaces directly to heating circuit

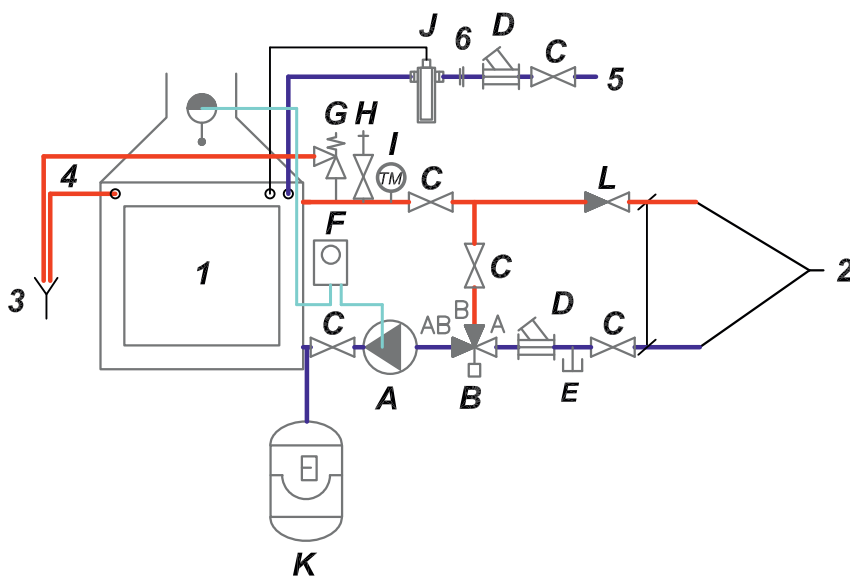


Table of descriptions:

1	Stove/fireplace with hot water exchanger
2	Connection to accumulation tank
3	Connection to drain
4	Drain pipe
5	Connection to cold water – central house piping
6	Transition from polypropylene to copper piping

Table of fittings:

A	Circulation pump - fireplace
B	TSV3B valve - thermostatic mixing valve 65°C
C	Ball valve
D	Filter
E	Dump valve
F	Capillary thermostat
G	Safety valve – 2 bar
H	Automatic air vent valve
I	Thermomanometer
J	BVST - Thermostatic safety valve - with capillary
K	Expansion tank
L	Reverse throttle valve or flap

Ideological scheme of heating:

Detail of connection scheme of stoves and fireplaces with accumulation tank

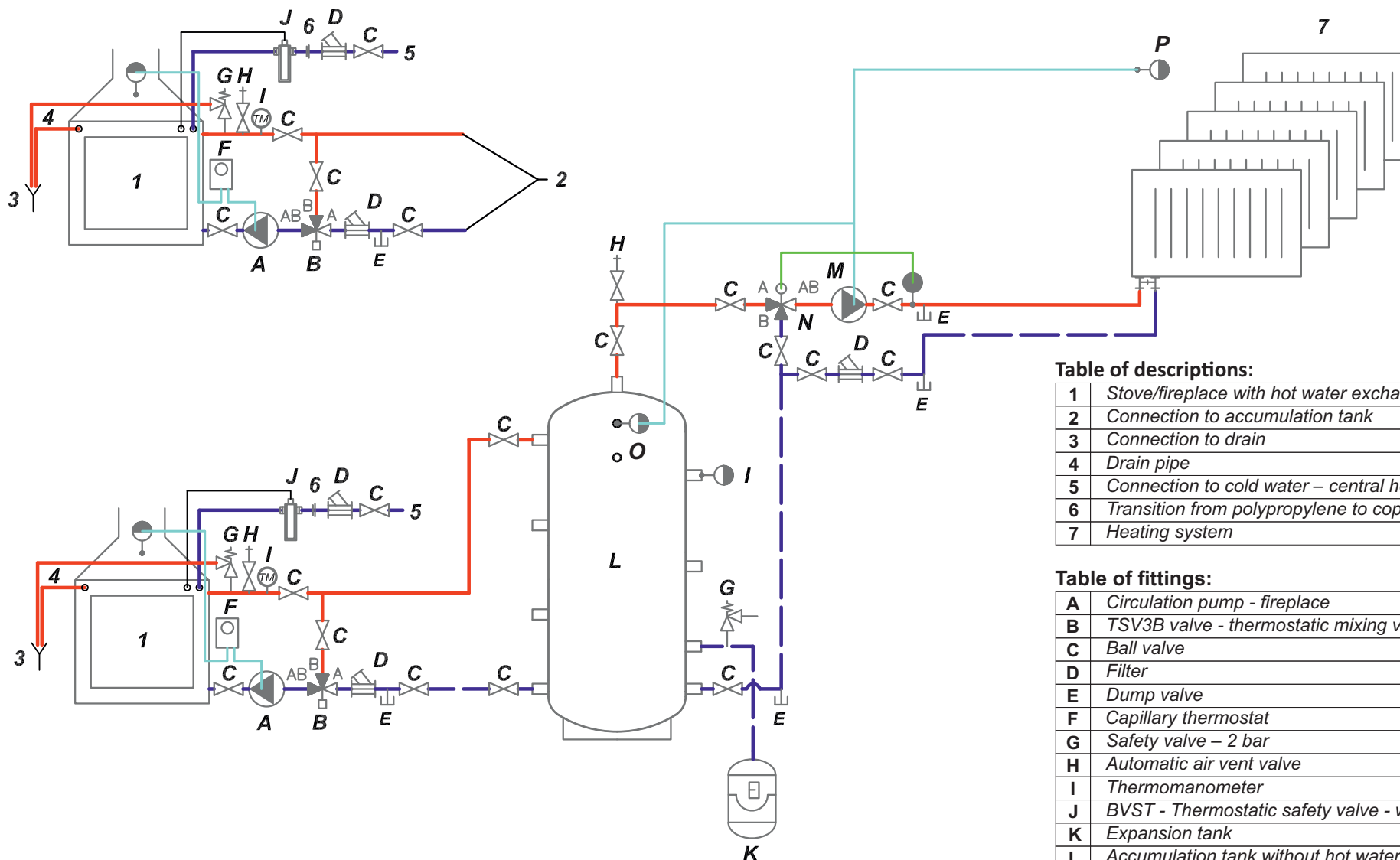


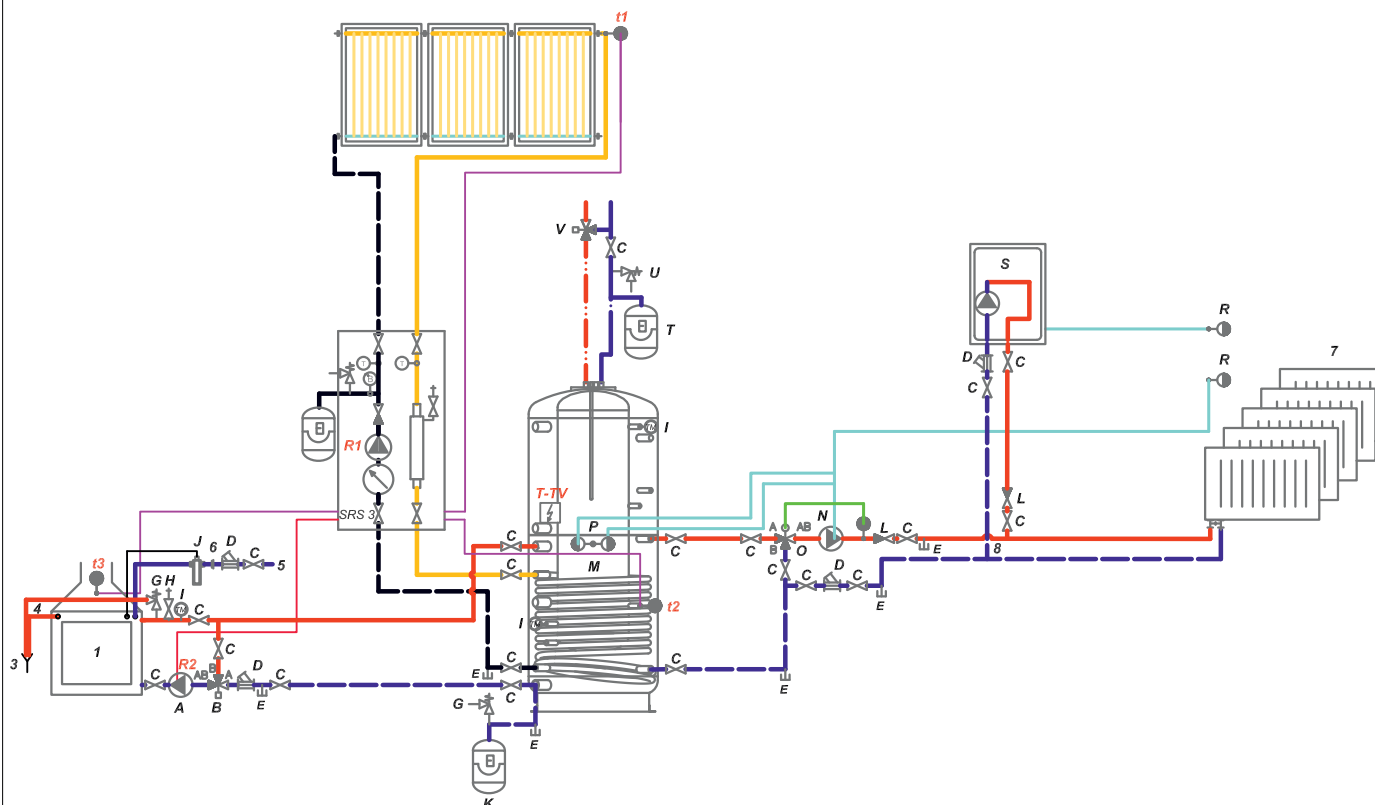
Table of descriptions:

1	Stove/fireplace with hot water exchanger
2	Connection to accumulation tank
3	Connection to drain
4	Drain pipe
5	Connection to cold water – central house piping
6	Transition from polypropylene to copper piping
7	Heating system

Table of fittings:

A	Circulation pump - fireplace
B	TSV3B valve - thermostatic mixing valve 65°C
C	Ball valve
D	Filter
E	Dump valve
F	Capillary thermostat
G	Safety valve – 2 bar
H	Automatic air vent valve
I	Thermomanometer
J	BVST - Thermostatic safety valve - with capillary
K	Expansion tank
L	Accumulation tank without hot water
M	Circulation pump - heating circuit
N	Three-way mixing valve and valve actuator
O	Double thermostat covered on sump
P	Room thermostat

3x Solar panels KPG1 - ALC



Detail of connection scheme of stoves and fireplaces with accumulation tank

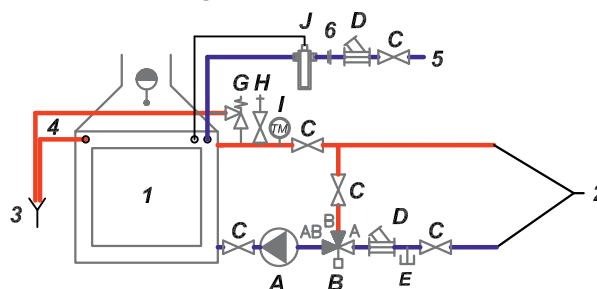


Table of wiring:

R1	Relay - circulation pump - solar panels
R2	Relay - circulation pump - fireplace inserts / stoves
t1	Temperature sensor - solar panels
t2	Temperature sensor - storage - lower part
t3	Temperature sensors - fireplace inserts / stoves
T-TV	Heating element - storage - HW

Table of descriptions:

1	Stove/fireplace with hot water exchanger
2	Connection to accumulation tank
3	Connection to drain
4	Drain pipe
5	Connection to cold water – central house piping
6	Transition from polypropylene to copper piping
7	Heating system
8	Connection of the gas condensing boiler to the heating system

Table of fittings:

A	Circulation pump - fireplace
B	TSV3B valve - thermostatic mixing valve 65°C
C	Ball valve
D	Filter
E	Dump valve
F	Capillary thermostat
G	Safety valve – 2 bar
H	Automatic air vent valve
I	Thermomanometer
J	BVST - Thermostatic safety valve - with capillary
K	Expansion tank
L	Check valve or check valve
M	Storage tank with built-in boiler HW
N	Circulation pump - heating circuit
O	Three-way mixing valve and valve actuator
P	Double thermostat covered on sump
R	Room thermostat
S	Condensing gas boiler
T	Expansion tank for HW
U	Safety valve HW
V	Thermostatic valve HW