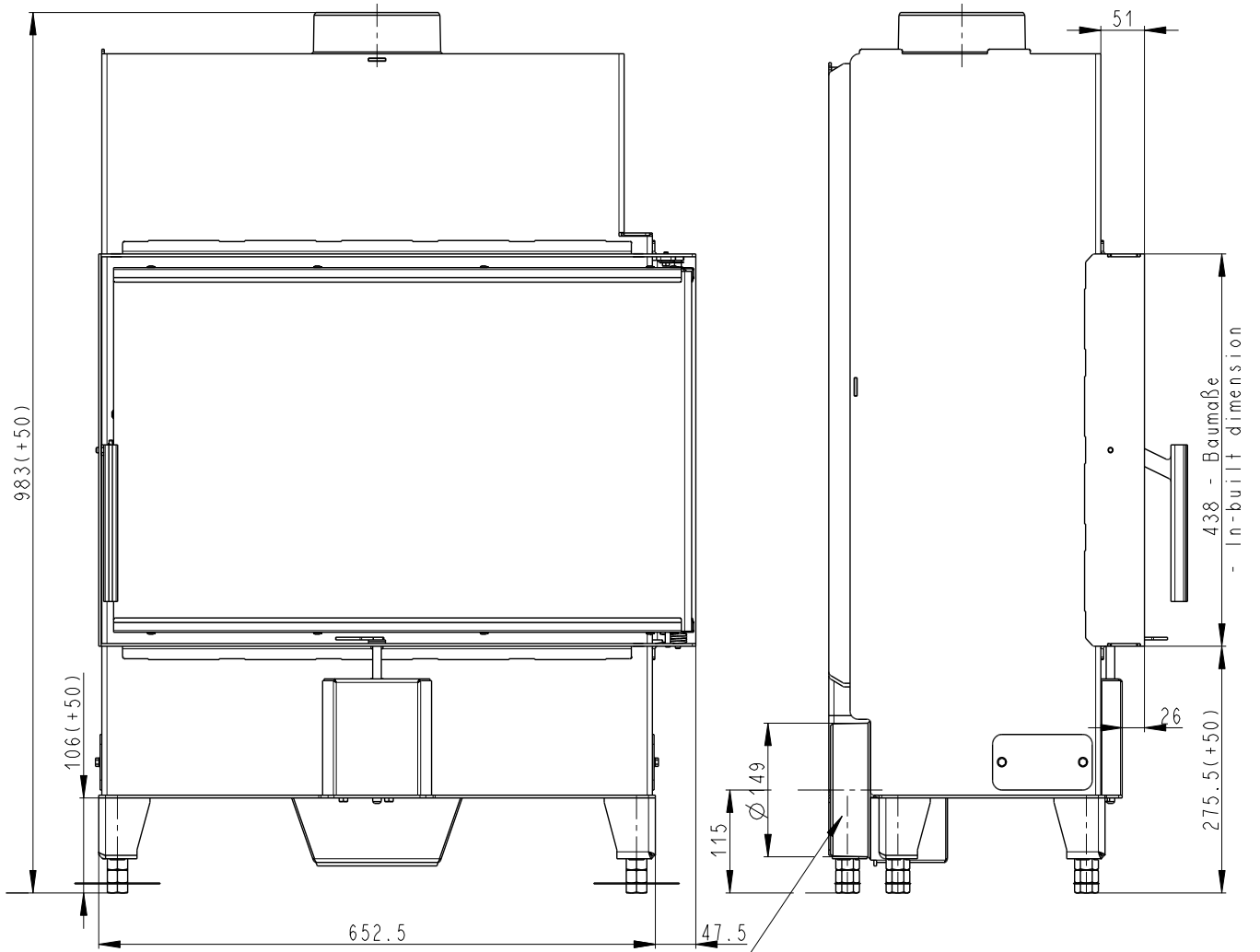
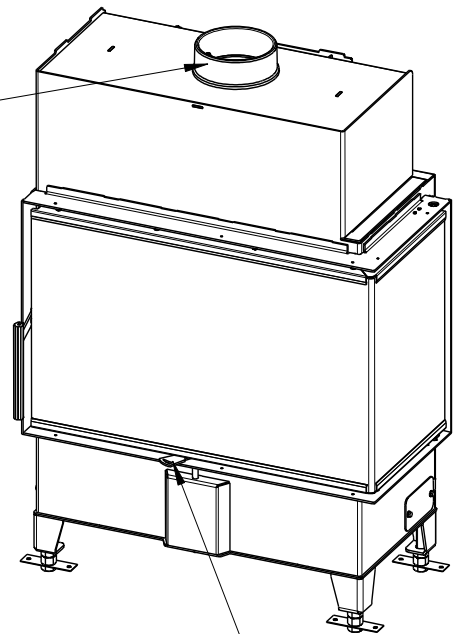
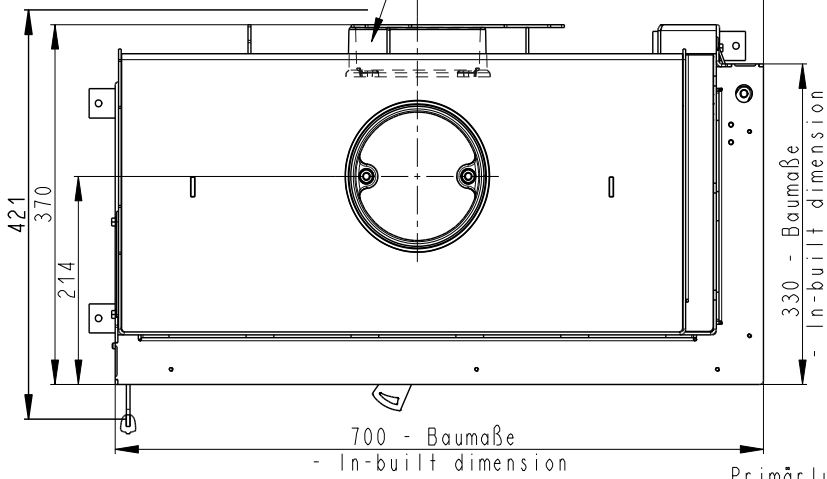


HEAT R 2g S 70.44.33.13 (23)



Central air inlet
Zentralluftzufuhr

Cast iron spigot
Der gusseiserne Rauchabgang
374



Primärluft und Sekundärluft
Primary and secondary air

Artikl	HR2SX 13 / HR2SX 23
--------	---------------------

General data

Nominal heat output	kW	7,2
Efficiency	%	86
Mass of the test fuel fired hourly	kg/h	1,99
Dry flue gases mass flow	g/s	5,3
Mean flue gas temperature	°C	198
Flue draught	Pa	12
Weight	kg	130
CO ₂	%	10,68

Recommended values

Reg.output	kW	3,5 – 10
Max. mass of the test fuel fired hourly	kg/h	2,6
Min. cross section of convect air inlet for nominal output	cm ²	880
Min. cross section of convect air outlet for nominal output	cm ²	1120
Combustion air requirement	m ³ /h	11,3
Flue gas connector diameter	mm	150

Meets requirement limit values for

EN 13 229	•
BImSch V 1	•
BImSch V 2	•
DIN plus	•
15a B-VG	•

Supplied accessories

Holder with magnet	•
Hook to open the ashtray	•
Ashtray	•