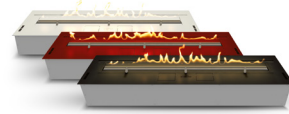


FLA 3 XL in Casing A

Flames lighting up your interior for longer

FEATURES

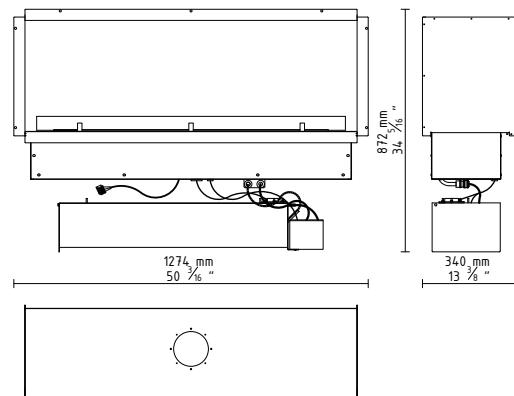
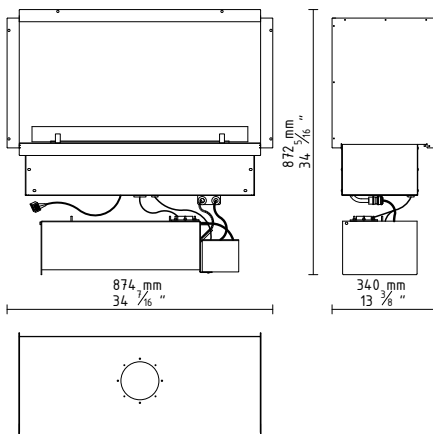
- BEV* Technology - no contact between fuel and flame
- Automatic refill system
- LCD Control panel
- Advanced safety sensors
- 6 levels of flame height
- Possibility of joining modules
- Extra large fuel tank for extended burning time
- Possibility of remote service in case of errors
- WiFi (controlled with smart devices)
- Remote control included
- No hard connection required
- Optional connection to Smart Home System [SHS]
- Custom lenght
- Optional RAL colour & shape
- Optional external temperature sensor
- Optional frame



TECHNICAL DATA

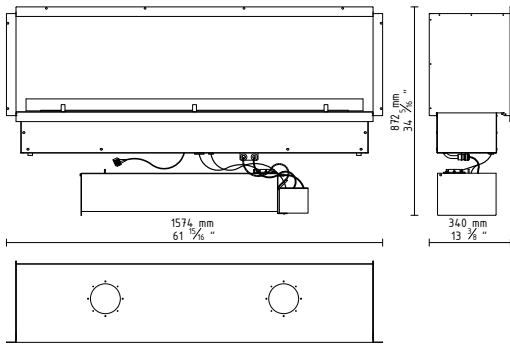
	FLA 3 XL in Casing A (Lenght 790)	FLA 3 XL in Casing A (Lenght 1190)	FLA 3 XL in Casing A (Lenght 1490)
Capacity	15,5 L / [US] 4,09 gal / [UK] 3,40 gal	24 L / [US] 6,34 gal / [UK] 5,28 gal	24 L / [US] 6,34 gal / [UK] 5,28 gal
Burning time	13,5 - 30 h	13,5 - 30 h	13,5 - 30 h
Heat output	2,9 - 6,9 kW / 10009 - 23426 BTU	5,0 - 11,2 kW / 17037 - 38334 BTU	6,2 - 15 kW / 21297 - 51113 BTU
Net weight	41,8 kg / 92,1 lbs	50 kg / 110 lbs	57,7 kg / 126,9 lbs
Air circulation	min. 1/h	min. 1/h	min. 1/h
Minimum room size	68,6 m ³ or please contact our Project Department for details	112,3 m ³ or please contact our Project Department for details	149,8 m ³ or please contact our Project Department for details
Power supply	230 V (electric supply)		
Finish	FIREPLACE: brushed stainless steel / optional: RAL colours / black powder coated steel CASING: black powder coated steel, GLASS SHIELD: tempered glass OPTIONAL FRAME: brushed stainless steel / optional: RAL colours / black powder coated steel		

DIMENSIONS

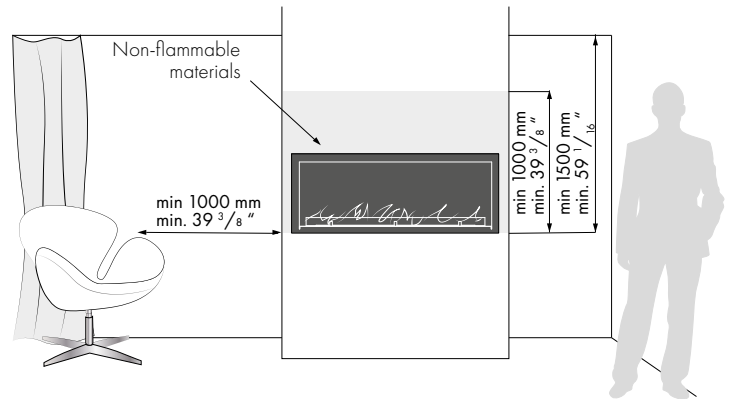


FLA 3 XL in casing A

DIMENSIONS



INSTALLATION REQUIREMENTS

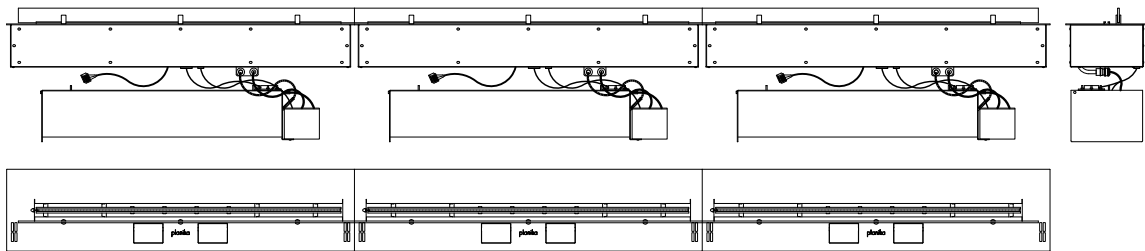


BESPOKE MODELS

Planika ensures top service. To live up to our clients' requirements, we have provided the possibility to produce bespoke models, according to the client's expectations. Length of the bio fireplace is customizable.

SEVERAL JOINT UNITS - UP TO UNLIMITED LENGTH:

If a longer line of fire is preferred, several units can be placed together and operated with a single remote control, giving the possibility to create an endless line of fire. Client can choose between the right, middle and left module.



TV MONTAGE OPTIONS:

