



XS340



BIOETHANOL BURNERS

ecosmar⁺
Fire

www.ecosmartfire.com

BIOETHANOL BURNERS

The XS340 is the smallest in our range. A scaled back version of the XL Burner, the EcoSmart Fire XS340 provides the ideal solution for tailor-made installations where space is at a premium. But don't be fooled by its size – the XS340 holds 2.5 litres of Bioethanol and burns for up to six hours.

Key features include:

- > A designated, inbuilt filling point and visible volume markings to decrease the likelihood of overfilling
- > Operational accessories designed for safe and ergonomic fire ignition and extinguishing
- > Like all of our burners, the XS340 operates under all conditions, at all temperatures – reliably and consistently
- > 'Flip lid' shut off system fits perfectly across the ignition zone to extinguish the flame each and every time

> INCLUDED ACCESSORIES



5 Litre Jerry Can



Lighting Rod + Lighter



Operations Manual

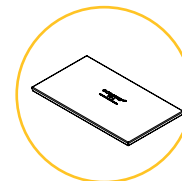
OPTIONAL ACCESSORIES



Fire Screens



Fire Screen Fixings



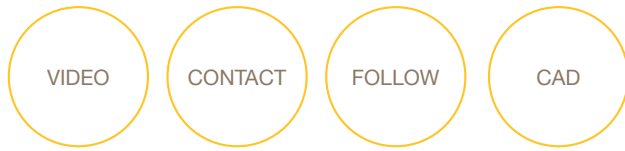
Protective Burner Cover



Top Tray

Disclaimer. All product specifications and data are subject to change without notice and believed to be correct at the time of publication. The Fire Company Pty Ltd (TFC), its affiliates, agents, and employees, and all persons acting on its or their behalf (collectively, "The Fire Company"), disclaim any and all liability for any errors, inaccuracies or incompleteness contained herein or in any other disclosure relating to any product. TFC disclaims any and all liability arising out of the use or application of any product described herein or of any information provided herein to the maximum extent permitted by law. The product specifications do not expand or otherwise modify TFC P/L's terms and conditions of purchase, including but not limited to the warranty expressed therein, which apply to these products. No license, express or implied, by estoppel or otherwise, to any intellectual property rights is granted by this document or by any conduct of TFC. Customers using or selling TFC products not expressly indicated for use in such applications do so entirely at their own risk and agree to fully indemnify TFC for any damages arising or resulting from such use or sale. Please contact authorised personnel from TFC to obtain written terms and conditions regarding products designed for such applications.

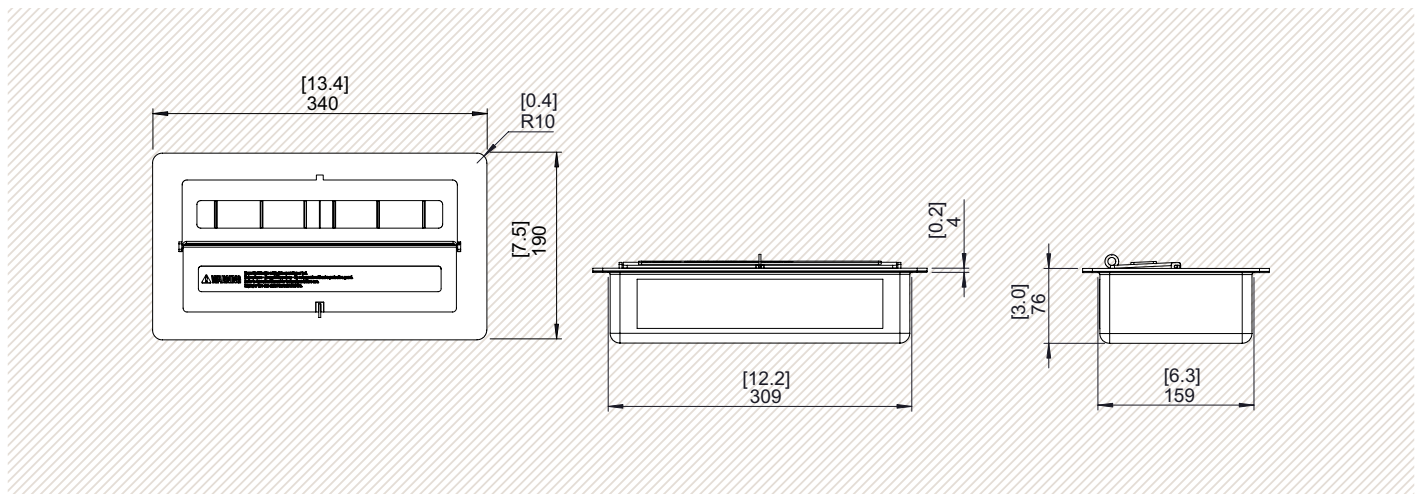
BIOETHANOL BURNERS



Fuel Type	Bioethanol
Volume Capacity	2.5 Litres [2.5 Quarts]
Heats on Average	Over 20m ² [215ft ²]
Fuel Consumption	0.45 Ltr/hr [0.12 Gal/hr]
Thermal Output Net (MAX)	8.93 MJ/hr - 8530 BTU/hr - 2.5 kW
Burn Time on MAX	6 hours, 30 minutes (Approx)
*The efficiency data outlined above is indicative only and may vary depending on the model purchased, weather conditions, installation and bioethanol used. Adding baffles (if applicable) and/or regulating the flame increases burn times.	
Ventilation	The room cannot be less than 45m ³ [1589ft ³] per burner.
Dimensions (excluding Top Tray)	H 76mm W 340mm D 190mm H 3in W 13.4in D 7.5in
Weight	3.9kg [8.5lbs]
Materials	Stainless Steel
Application	Indoor & Outdoor

Read the manual carefully before operating the burner.

Physical model dimensions should be verified against cut out dimensions BEFORE installation begins to confirm tolerances align.



Disclaimer: All product specifications and data are subject to change without notice and believed to be correct at the time of publication. The Fire Company Pty Ltd (TFC), its affiliates, agents, and employees, and all persons acting on its or their behalf (collectively, "The Fire Company"), disclaim any and all liability for any errors, inaccuracies or incompleteness contained herein or in any other disclosure relating to any product. TFC disclaims any and all liability arising out of the use or application of any product described herein or of any information provided herein to the maximum extent permitted by law. The product specifications do not expand or otherwise modify TFC P/Ls terms and conditions of purchase, including but not limited to the warranty expressed therein, which apply to these products. No license, express or implied, by estoppel or otherwise, to any intellectual property rights is granted by this document or by any conduct of TFC. Customers using or selling TFC products not expressly indicated for use in such applications do so entirely at their own risk and agree to fully indemnify TFC for any damages arising or resulting from such use or sale. Please contact authorised personnel from TFC to obtain written terms and conditions regarding products designed for such applications.

Ensure that the mouth of the flame is positioned a minimum of 1500mm [59.1in] away from curtains, flammable materials, and other sources of ignition. Be aware of drafts. The floor must be level and the Burner positioned on a flat surface. The Burner must only be placed into non-combustible materials and must be installed in accordance with the outlined safety requirements and clearances. Please send drawings to your local representative to confirm the setting complies with the manufacturer's requirements prior to installation.

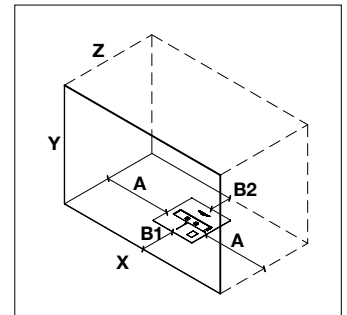
Burner Clearances

EcoSmart™ Fire Burners can be installed into two (2) types of settings:
 A. Those that are encased by non-combustible materials similar to that which you would find in a traditional masonry set-up. We refer to this installation type as **"WITHIN A FIREBOX SETTING"**

B. Those that are not encased by non-combustible materials and set up in a more modern setting without sides or a top. We refer to this installation type as **"WITHOUT A FIREBOX SETTING"**

A. INSERTING WITHIN A FIREBOX SETTING

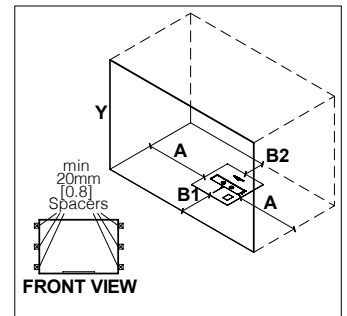
BURNERS	Firebox Width (X)	Firebox Depth (Z)	Overhead (Y)	Rear (B2)	Front (B1)
BK SERIES	650mm [25.6in]	365mm [14.4in]	650mm [25.6in]	30mm [1.2in]	45mm [1.8in]
XL900	1200mm [47.2in]	350mm [13.8in]	500mm [19.7in]	40mm [1.6in]	50mm [2.0in]
XL700	1000mm [39.4in]	350mm [13.8in]	500mm [19.7in]	40mm [1.6in]	50mm [2.0in]
XL500	800mm [31.5in]	350mm [13.8in]	500mm [19.7in]	40mm [1.6in]	50mm [2.0in]
XS340	450mm [17.7in]	300mm [11.8in]	450mm [17.7in]	65mm [2.6in]	45mm [1.8in]
AB8	650mm [25.6in]	450mm [17.7in]	800mm [31.5in]	30mm [1.2in]	45mm [1.8in]
AB3	400mm [15.7in]	350mm [13.8in]	500mm [19.7in]	30mm [1.2in]	45mm [1.8in]



e.g BK SERIES

B. INSERTING WITHOUT A FIREBOX SETTING

BURNERS	Overhead (Y)	Front (B1)	Nearest Combustible Radius (A)	Rear (B2) (Only if Non-combustible)*
BK SERIES	1500mm [59.1in]	45mm [1.8in]	600mm [23.6in]	30mm [1.2in]
XL900	1500mm [59.1in]	50mm [2.0in]	600mm [23.6in]	40mm [1.6in]
XL700	1500mm [59.1in]	50mm [2.0in]	600mm [23.6in]	40mm [1.6in]
XL500	1500mm [59.1in]	50mm [2.0in]	600mm [23.6in]	40mm [1.6in]
XS340	1500mm [59.1in]	45mm [1.8in]	600mm [23.6in]	65mm [2.6in]
AB8	1500mm [59.1in]	45mm [1.8in]	600mm [23.6in]	30mm [1.2in]
AB3	1500mm [59.1in]	45mm [1.8in]	600mm [23.6in]	30mm [1.2in]



e.g BK SERIES

***WARNING! Fire hazard. The rear wall should be non-combustible. If it is combustible, you must allow at least 600mm (23.6in.) clearance between the wall and the rear of the EcoSmart™ Fire.**

The VB2 burner is specially designed as a 'drop-in' burner system to a purpose-built, existing or new, fireplace setting. You should seek confirmation from the insert manufacturer and install the fireplace according to the manufacturers instructions before inserting the burner.

Custom made fireboxes must:

- Be made out of a non-combustible material such as stainless steel
- Be constructed to accommodate a Top Tray
- Have built in spacers of 20mm [0.8in] on all sides to ensure that it does not sit directly against any combustible materials and an air gap is incorporated for insulation around the box construction. The use of insulation wool is permitted.

The Fire Company Pty Ltd is not liable for any injuries or damages sustained through the use of custom made or privately commissioned Fireboxes. The Fire Company Pty Ltd recommends using the Burner in a Firebox manufactured by The Fire Company Pty Ltd only. The Fire Company Pty Ltd is not liable for any injuries or damages sustained through the use of custom made or privately commissioned Fireboxes. A fire extinguisher is strongly recommended.

Disclaimer. All product specifications and data are subject to change without notice and believed to be correct at the time of publication. The Fire Company Pty Ltd (TFC), its affiliates, agents, and employees, and all persons acting on its or their behalf (collectively, "The Fire Company"), disclaim any and all liability for any errors, inaccuracies or incompleteness contained herein or in any other disclosure relating to any product. TFC disclaims any and all liability arising out of the use or application of any product described herein or of any information provided herein to the maximum extent permitted by law. The product specifications do not expand or otherwise modify TFC P/L's terms and conditions of purchase, including but not limited to the warranty expressed therein, which apply to these products. No license, express or implied, by estoppel or otherwise, to any intellectual property rights is granted by this document or by any conduct of TFC. Customers using or selling TFC products not expressly indicated for use in such applications do so entirely at their own risk and agree to fully indemnify TFC for any damages arising or resulting from such use or sale. Please contact authorised personnel from TFC to obtain written terms and conditions regarding products designed for such applications.

Environmental Conditions

WARNING: Ensure that your fire is positioned away from flammable materials and other sources of ignition at all times. Pay very close attention to positioning the fire away from items that may move as a result of wind and drafts. For example trees/branches/curtains/paper and the like.

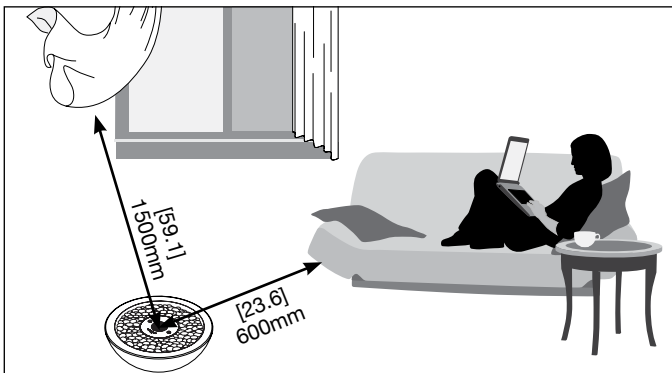
The base of the burner within the model must never come into direct contact with flammable materials.

Side clearances to fixed and stable furniture items that are not susceptible to movement such as lounges or patio furniture must remain a minimum of 600mm [23.6in] away from the flame at all times.

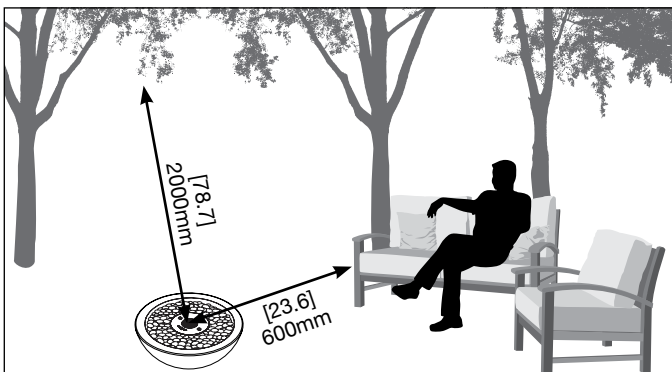
Overhead clearances to items that are susceptible to movement (e.g. Curtains/Trees) must remain a minimum of:

- Indoors: 1500mm [59.1in] away from the flame at all times.
- Outdoors: 2000mm [78.7in] away from the flame at all times.

Note: Stainless steel will rust or corrode over time if contamination or debris is not cleaned or removed immediately. When not in use, it is recommended that you protect your fireplace from water damage or corrosion with a protective cover and always use the Burner Lid included with your model to safeguard the burner.



Indoor Clearances



Outdoor Clearances

Installation

There are many different variations available for installing the Burner. In all cases, the Burner must be:

- Installed into non-combustible material ONLY, such as stainless steel, concrete, brick and stone

- Installed after all gas connections or pipelines in the area are disconnected and made safe by an appropriately qualified and licensed professional
- Installed and operated in a fixed and secure position before filling, lighting and operating. Burners are not meant to be moved because movement creates the risk of accidental fuel spillages. If you move the Burner, make sure no fuel was spilled before you ignite the Burner.
- Models from each range (Grate/Renovator/Designer/Outdoor) have varied installation requirements. Refer to the specific section of the manual for the detailed requirements of the model purchased.

The best location for your EcoSmart Fire is:

- In a large, open space at least 1500mm [59.1in] away from any combustible materials, such as curtains, wallpaper, veneer, etc.
- On a level floor – the floor can be made of any material.
- In a firebox made of non-combustible materials, such as steel, concrete, brick, or stone.
- Positioned so that any accumulation of weather debris/pooling of water is eliminated.
- NOT INSTALLED DIRECTLY BESIDE OR NEAR WALLPAPER, LAMINATE, VENEER OR ANY SURFACE THAT HAS NOT BEEN FIRE RATED (THE HEAT WILL IMPACT THE MATERIAL). REFER TO PRODUCT SPECIFICATION OF WALLPAPER, LAMINATE, VENEER OR GLUE FOR HEAT TOLERANCES.
- Installed into a setting that has a straight back – the incorporation of angled backs alters the aerodynamics of the flame environment and could lead to an unstable flame behaviour.
- Fitted within a Top Tray that is not more than 200% the size of the total Burner size.

Please note that:

- Any furniture items or fittings directly above or beside the Burner installation must be deemed suitable for heat tolerances by their manufacturer e.g. electronic items including screens and entertainment equipment, wallpaper, laminates, veneers, glues and reconstituted materials.
- A heat reflective panel made of non-combustible material (ideally stainless steel) must be installed as the surround and top of the fireplace setting to assist in heat distribution. The Fire Company Pty Ltd is not liable for any injuries or damages sustained through the use of panels not manufactured by The Fire Company Pty Ltd.
- Glass or mirrored surfaces near the Burner installation must be toughened.
- In some countries, national or rural restrictions may apply and/ or approvals from building authorities may be required. Please ensure you contact the appropriate parties before installing your EcoSmart™ Fire.

WARNING! FIRE HAZARD. DO NOT PACK REQUIRED AIR SPACES, (THE AREA BETWEEN THE FIREBOX AND THE SPACER) WITH INSULATION OR OTHER MATERIALS. THE AIR SPACES ARE NEEDED FOR PROPER VENTILATION OF THE BURNER.

A fire extinguisher is strongly recommended.

CONVERTING AN EXISTING FIREPLACE:

If inserting an Burner into an existing masonry fireplace, adjust the damper within the existing fireplace in order to keep the heat from escaping through the flue.

CLEARANCES AND INSTALLATION

Top Tray

The incorporation of a Top Tray into your setting protects against heat transference and aids in the collection of accidental spillage. Some models come with Top Trays, others do not. Top Trays are available as an accessory through The Fire Company or your local distributor.

The Fire Company Pty Ltd is not liable for any injuries or damages sustained through the use of Top Trays not manufactured by The Fire Company Pty Ltd.

When installing multiple Burners a maximum of three [3] Burners may be installed into the one Top Tray (excluding the XL Series which can only have one [1] Burner per Top Tray). Special considerations should be made to multiple Burner installations in order to avoid potential accidents. Contact your local distributor about design and analysis advice to minimise adverse impacts.

Top Trays provided by The Fire Company are fitted directly into the Burner shelf from above. The Burner is then inserted into the Top Tray setting and adjusted (using the levelling screws) to sit flush.

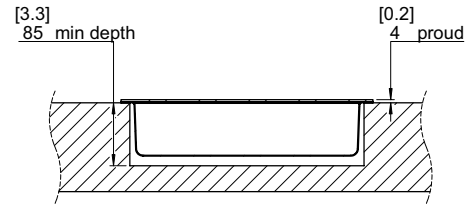
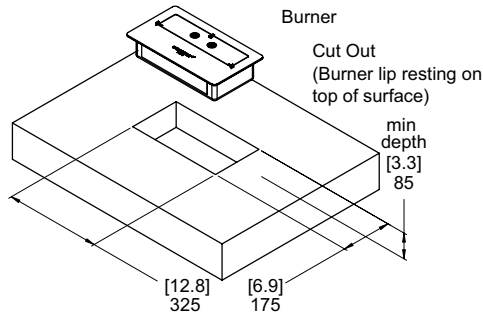
The size of the cut-out should not give more than 5mm [0.196in] clearance. Top Trays must not be more than 200% of the total size of the corresponding Burner.

Please take the time to double check all dimensions between the burner received and the dimensions outlined to ensure you are referencing the correct model, and so that production tolerances are taken into consideration.

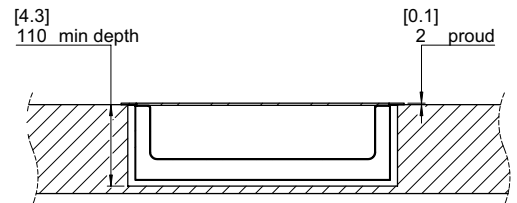
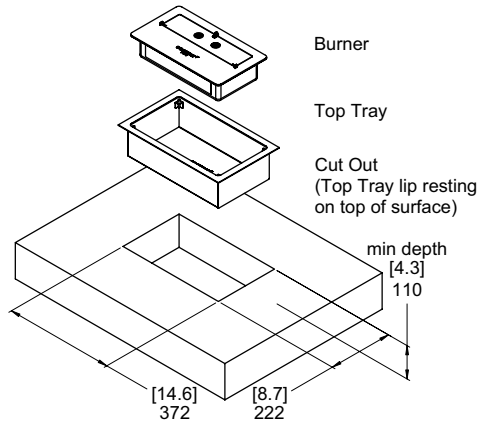
CLEARANCES AND INSTALLATION

XS340

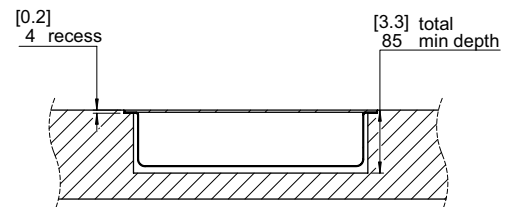
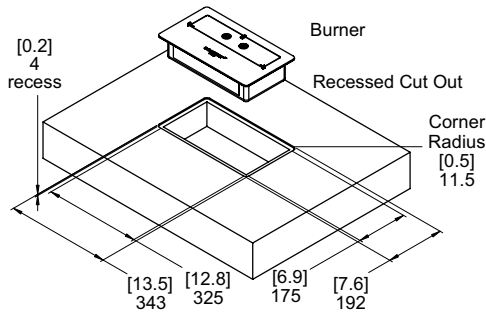
Physical model dimensions should be verified against cut out dimensions BEFORE installation begins to confirm tolerances align.



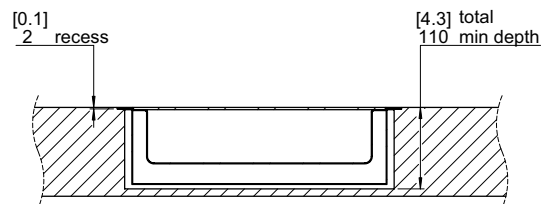
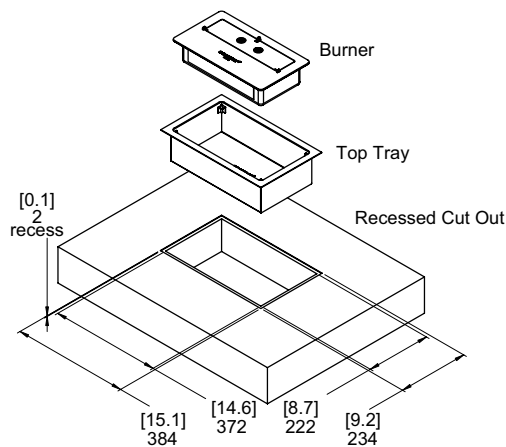
Burner WITHOUT Top Tray On Top/Raised



Burner WITH Top Tray On Top/Raised



Burner WITHOUT Top Tray Recessed/Flush



Burner WITH Top Tray Recessed/Flush

Disclaimer: All product specifications and data are subject to change without notice and believed to be correct at the time of publication. The Fire Company Pty Ltd (TFC), its affiliates, agents, and employees, and all persons acting on its or their behalf (collectively, "The Fire Company"), disclaim any and all liability for any errors, inaccuracies or incompleteness contained herein or in any other disclosure relating to any product. TFC disclaims any and all liability arising out of the use or application of any product described herein or of any information provided herein to the maximum extent permitted by law. The product specifications do not expand or otherwise modify TFC P/Ls terms and conditions of purchase, including but not limited to the warranty expressed therein, which apply to these products. No license, express or implied, by estoppel or otherwise, to any intellectual property rights is granted by this document or by any conduct of TFC. Customers using or selling TFC products not expressly indicated for use in such applications do so entirely at their own risk and agree to fully indemnify TFC for any damages arising or resulting from such use or sale. Please contact authorised personnel from TFC to obtain written terms and conditions regarding products designed for such applications.