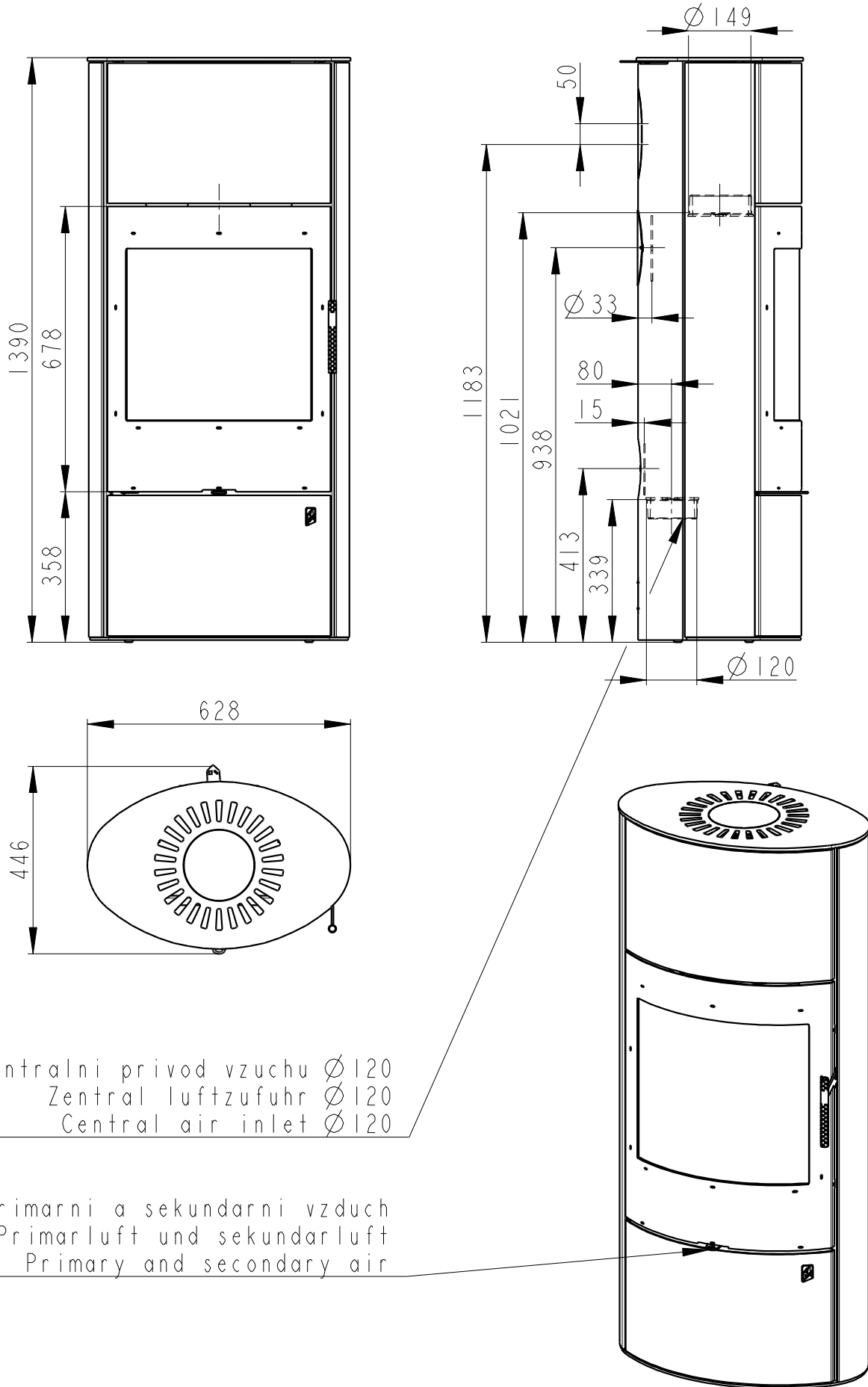


# OVALIS A



Artikl	OVALIS A
--------	----------

#### General data

Nominal heat output	kW	6,0
Efficiency	%	83,5
Mass of the test fuel fired hourly	kg/h	1,64
Dry flue gases mass flow	g/s	5,2
Mean flue gas temperature	°C	243
Flue draught	Pa	12
Weight	kg	150
CO <sub>2</sub>	%	9,54
Dust O <sub>2</sub> =13%	mg/m <sup>3</sup>	40
CO O <sub>2</sub> =13%	mg/m <sup>3</sup>	920

#### Recommended values

Reg.output	kW	3-8
Max. mass of the test fuel fired hourly	kg/h	2,1
Flue gas connector diameter	mm	150

#### Meets requirement limit values for

EN 13 240	•
BImSch V 1	•
BImSch V 2	•
DIN plus	•
15a B-VG	•

#### Supplied accessories

Holder with magnet	•
Ashtray	•