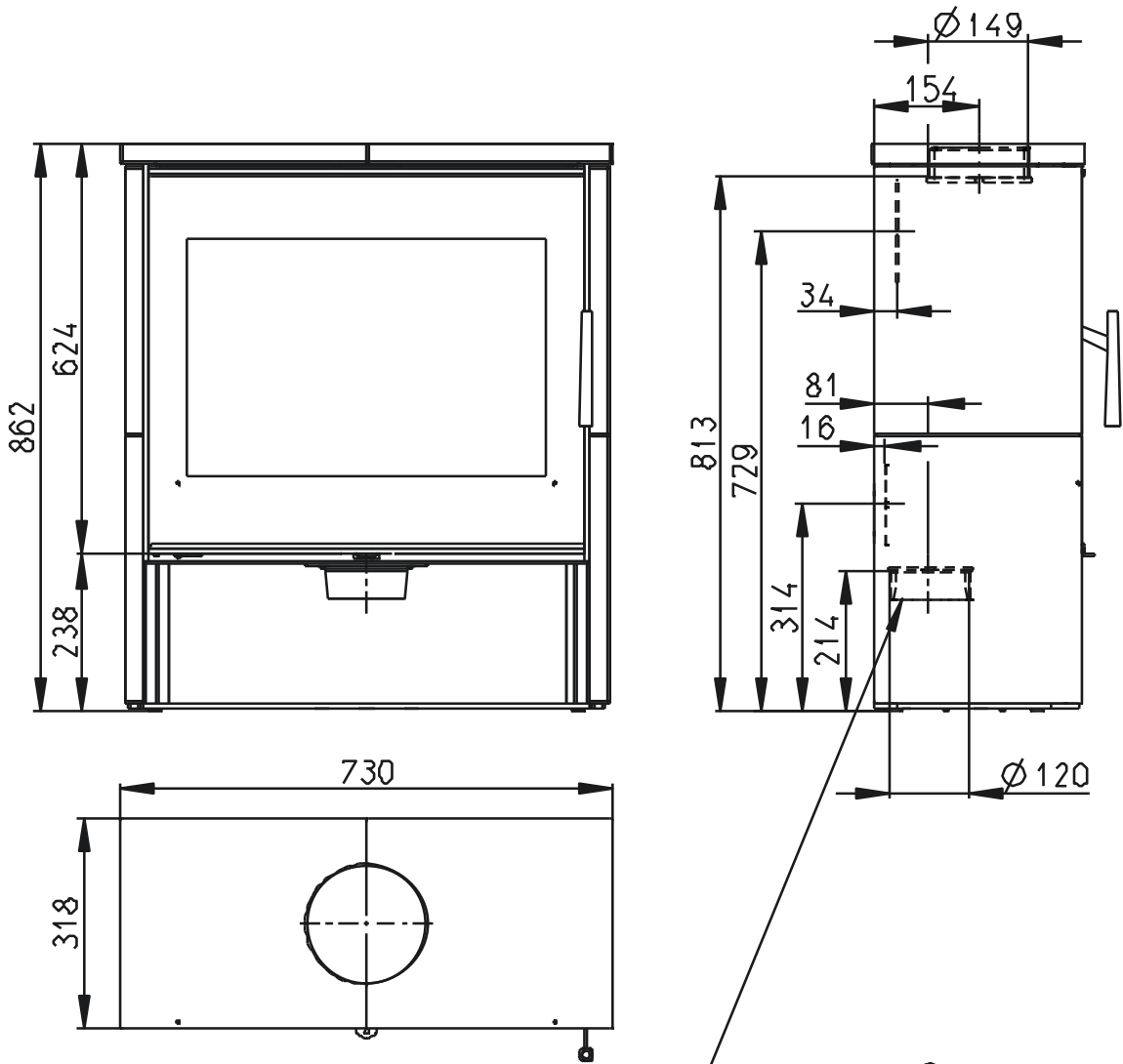
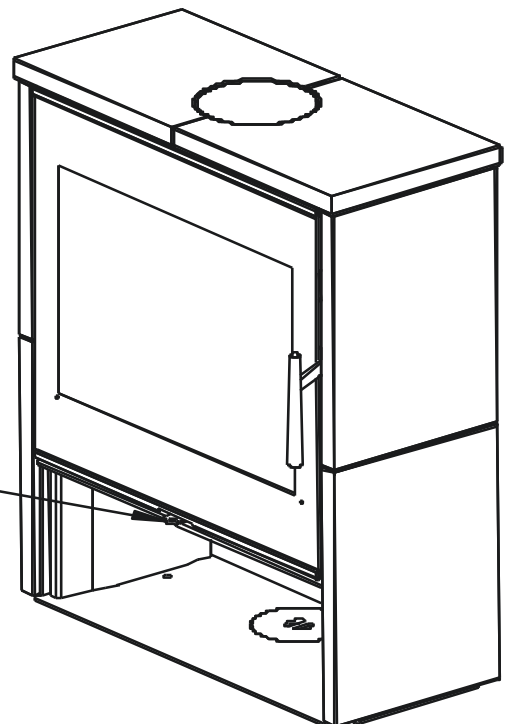


ALEDO



Centralni privod vzduchu $\varnothing 120$
Zentral luftzufuhr $\varnothing 120$
Central air inlet $\varnothing 120$

Primarni a sekundarni vzduch
Primarluft und sekundarluft
Primary and Secondary air



Artikl	ALEDO
--------	-------

General data

Nominal heat output	kW	6,0
Efficiency	%	83,5
Mass of the test fuel fired hourly	kg/h	1,64
Dry flue gases mass flow	g/s	5,2
Mean flue gas temperature	°C	243
Flue draught	Pa	12
Weight	kg	162
CO ₂	%	9,54
Dust O ₂ =13%	mg/m ³	40
CO O ₂ =13%	mg/m ³	920

Recommended values

Reg.output	kW	3-8
Max. mass of the test fuel fired hourly	kg/h	2,1
Flue gas connector diameter	mm	150

Meets requirement limit values for

EN 13 240	•
BImSch V 1	•
BImSch V 2	•
DIN plus	•
15a B-VG	•

Supplied accessories

Holder with magnet	•
Ashtray	•