

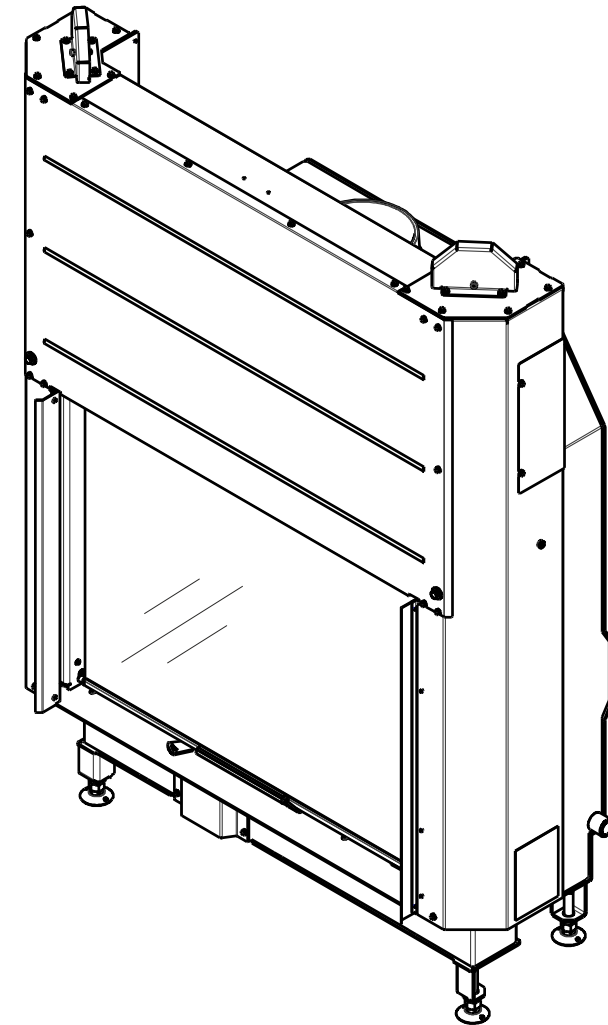


HEAT

3G L 88.66.04

ROMOTOP spol. s r.o.
Komenského 325
742 01 Suchdol nad Odrou
Czech Republic

www.romotop.com



EN DE FR IT

ver.2020.09

**THIS PRODUCT IS NOT SUITABLE AS A PRIMARY HEAT SOURCE / DIESES PRODUKT IST NICHT ALS HAUPTWÄRMEQUELLE ZUM HEIZUNG GEEIGNET /
CE PRODUIT NE CONVIENT PAS COMME SOURCE DE CHALEUR PRINCIPALE DU CHAUFFAGE / IL PRESENTE PRODOTTO NON È IDONEO COME FONTE PRINCIPALE DI CALORE PER IMPIANTI DI RISCALDAMENTO**



ENERG
енергия · ενεργεια

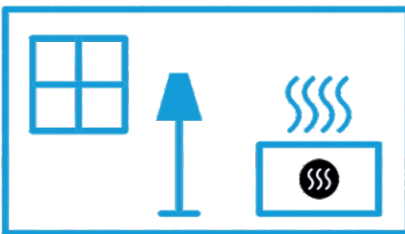
Y IJA
IE IA

Romotop

HEAT 3G L 88.66.04



A+



10,9
kW

ENERGIA · ЕНЕРГИЯ · ΕΝΕΡΓΕΙΑ · ENERGIJA · ENERGY · ENERGIE · ENERGI

2015/1186

Product sheet under Regulation EU 2015/1186

Supplier's name or trademark:	Romotop spol. s r. o.
Supplier's model identifier:	Heat 3G L 88.66.04
The energy efficiency class of the model:	A+
The direct heat output in (kW):	10,9
The indirect heat output in (kW):	0
The energy efficiency index EEI:	109
The useful energy efficiency at nominal heat output (%):	81,2
The useful energy efficiency at minimum load (%):	Pass
Special requirements (instalation, maintanance):	See instructions

The information in the product sheet of the local space heater shall be provided in the following order and shall be included in the product brochure or other literature provided with the product.

Produktdatenblatt gemäß Verordnung EU 2015/1186

Name oder Warenzeichen des Lieferanten:	Romotop GmbH
Modellkennung des Lieferanten:	Heat 3G L 88.66.04
Energieeffizienzklasse des Modells:	A+
Direkte Wärmeleistung (kW):	10,9
Indirekte Wärmeleistung (kW):	0
Energieeffizienzindex EEI:	109
Energieeffizienz bei Nennwärmeleistung (%):	81,2
Energieeffizienz bei Mindestlast (%):	Pass
Besonderen Vorkehrungen (bei der Installation oder Wartung):	siehe Anleitung

Die Angaben auf dem Produktdatenblatt des Einzelraumheizgerätes sind in nachstehender Reihenfolge aufzuführen und in die Produktbroschüre oder andere mit dem Produkt bereitgestellte Unterlagen aufzunehmen.

Fiche produit selon la réglementation EU 2015/1186

Le nom du fournisseur ou la marque commerciale:	Romotop S.A.R.L.
La référence du modèle donnée par le fournisseur:	Heat 3G L 88.66.04
La classe d'efficacité énergétique du modèle:	A+
La puissance thermique directe en (kW):	10,9
La puissance thermique indirecte en (kW):	0
L'indice d'efficacité énergétique EEI:	109
Le rendement utile à la puissance thermique nominale et (%):	81,2
Le rendement utile à la puissance thermique minimale (%):	Pass
Mesures spécifiques (lors de l'assemblage, de la maintenance) :	Cf. instructions

Les informations de la fiche de produit du dispositif de chauffage décentralisé sont fournies dans l'ordre indiqué ci-après et figurent dans la brochure relative au produit ou dans tout autre document fourni avec celui-ci.

Scheda prodotto secondo normativa EU 2015/1186

Nome oppure marchio del fornitore:	Romotop spol. s r. o.
Codice prodotto del fornitore:	Heat 3G L 88.66.04
classe di efficienza energetica del modello:	A+
potenza termica diretta in (kW):	10,9
potenza termica indiretta in (kW):	0
indice di efficienza prodotto EEI:	109
efficienza del combustibile con potenza termica nominale (%):	81,2
efficienza del combustibile con carico minimo (%):	Pass
precauzioni speciali (durante l'installazione o la manutenzione):	Vedi introduzione

Le indicazioni sulla scheda prodotto dell'impianto riscaldamento per singola stanza sono da indicare nella seguente successione e da inserire nel depliant o qualsiasi altro catalogo in riferimento al prodotto.

Technical Sheet, Technisches Datenblatt, Fiche technique, Scheda tecnica

EN	DE	FR	IT	
Product name	Produktbezeichnung	Nom du produit	Nome del prodotto	Heat 3G L 88.66.04
Dimensions HxWxD (mm)	Abmessungen HxBxT (mm)	Dimensions HxLxP (mm)	Dimensioni AxLxP (mm)	1653 x 1184 x 555
Weight (kg)	Gewicht (kg)	Poids (kg)	Peso (kg)	315
Completed legislation	Abgeschlossene Gesetzgebung	Législation achevée	Legislazione completata	-
EN 13 229 / 15a B-VG / DIN plus / BImSch V 1 / BImSch V 2				
Eco-design (%)	Ökodesign (%)	Éco-conception (%)	Eco-design (%)	72,2
EEl	EEl	EEl	EEl	108,7
Energy Label	Energielabel	Étiquette énergétique	Etichetta energetica	A+
Prescribed fuel	Vorgeschriebener Brennstoff	Combustible prescrit	Combustibile prescritto	Piece wood / Stückholz Morceau de bois / Pezzo di legno
Fuel length (mm)	Kraftstofflänge (mm)	Longueur de carburant (mm)	Lunghezza del carburante (mm)	250
Average wood consumption (kg/h)	Durchschnittlicher Holzverbrauch (kg/h)	Consommation de bois moyenne (kg/h)	Consumo medio di legna (kg/ora)	3,03
Max. allowed wood batch (kg/h)	Max. erlaubte Holzladung (kg/h)	Dose de bois autorisée max. (kg/h)	Dose massima di legna consentita (kg/ora)	3,9
Fuel supply interval for the rated output	Zeitabstand der Brennstoffbeschickung für die Nennleistung	Intervalle d'ajout du combustible pour la puissance nominale	Intervallo fornitura combustibile per potenza nominale	1. hour, Stunde, heure, ora
The greatest height of the filling – 1/3 of the firebox	Höchster Füllstand – 1/3 der Feuerraumhöhe	Hauteur maximale de la charge – 1/3 de la hauteur du foyer	Altezza massima caricamento – 1/3 dell'altezza del braciere	-
Fuel delivery method	Art der Brennstoffbeschickung	Méthode d'ajout du combustible	Modalità fornitura combustibile	manually, von Hand, manuellement, manualmente
Amount of combustion air (m³/h)	Menge an Verbrennungsluft (m³/h)	Quantité d'air de combustion (m³/h)	Quantità di aria di combustione (m³/h)	38,4
Nominal heat output (kW)	Nennwärmeleistung (kW)	Puissance nominale (kW)	Potenza nominale (kW)	10,9
Total regulated output (kW)	Reg. Gesamtleistung (kW)	Rendement réglé total (kW)	Potenza totale regolata (kW)	5,5 – 14,2
Exchanger output (kW)	Austauscherleistung (kW)	Rendement de l'échangeur (kW)	Potenza dello scambiatore (kW)	-
Regulated output of the hot water exchanger (kW)	Reg. Leistung des Warmwassersaunders (kW)	Rendement réglé de l'échangeur à eau chaude (kW)	Potenza regolata dello scambiatore ad acqua calda (kW)	-
Filling volume (litres)	Füllungsgewicht (Liter)	Volume du remplissage (litres)	Volume del riempimento (litri)	-
Max. operating overpressure (kPa)	Max. Betriebsdruck (kPa)	Surpression de fonctionnement max. (kPa)	Pressione d'esercizio massima (kPa)	-
Efficiency (%)	Wirkungsgrad (%)	Rendement (%)	Efficienza (%)	81,2
Mass flow rate of dry flue gases (g/s)	Massendurchfluss der trockenen Abgase (g/s)	Débit massique des résidus de combustion secs (g/s)	Flusso peso combustibile secco (g/s)	8,4
Average flue-gas temperature (°C)	Durchschnittliche Abgastemperatur (°C)	Température moyenne des résidus de combustion (°C)	Temperatura media gas comburenti (°C)	276
Average flue gas temperature after Flue pipe (°C)	Durchschnittliche Abgastemperatur hinter dem Stutzen (°C)	Température moyenne des résidus de combustion derrière la tubulure (°C)	Temperatura media gas comburenti dietro la bocca (°C)	306
Flue draught (Pa)	Förderdruck (Pa)	Tirage de conduit de fumée (Pa)	Tiraggio del camino (Pa)	12

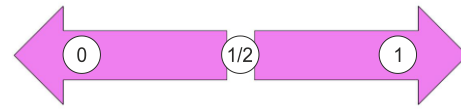
Technical Sheet, Technisches Datenblatt, Fiche technique, Scheda tecnica

EN	DE	FR	IT	
Dust at O ₂ = 13% (mg/Nm ³)	Staub bei O ₂ = 13 % (mg/Nm ³)	Poussière pour O ₂ = 13% (mg/Nm ³)	Polvere all'O ₂ = 13 % (mg/Nm ³)	31
The concentration of CO in the flue gases at O ₂ = 13% (mg/Nm ³)	CO Konzentration in den Abgasen bei O ₂ = 13% (mg/Nm ³)	Concentration en CO dans les résidus de combustion pour O ₂ = 13% (mg/Nm ³)	Concentrazione CO nei gas comburenti all'O ₂ = 13 % (mg/Nm ³)	1027
The concentration of CO in the flue gases at O ₂ = 13% (%)	CO Konzentration in den Abgasen bei O ₂ = 13% (%)	Concentration en CO dans les résidus de combustion pour O ₂ = 13% (%)	Concentrazione CO nei gas comburenti all'O ₂ = 13 % (%)	0,0822
CO ₂ (%)	CO ₂ (%)	CO ₂ (%)	CO ₂ (%)	10,73
OGC - O ₂ =13% (mg/m ³)	OGC - O ₂ =13% (mg/m ³)	OGC - O ₂ =13% (mg/m ³)	OGC - O ₂ =13% (mg/m ³)	53
NOx - O ₂ =13% (mg/m ³)	NOx - O ₂ =13% (mg/m ³)	NOx - O ₂ =13% (mg/m ³)	NOx - O ₂ =13% (mg/m ³)	91
Connection height for rear installation (mm)	Anschlusshöhe hinten (mm)	Hauteur de raccordement pour l'installation arrière (mm)	Altezza di collegamento per l'installazione posteriore (mm)	-
Flue pipe diameter (mm)	Rauchabfuhrdurchmesser (mm)	Diamètre du conduit de fumée (mm)	Diametro del condotto fumi (mm)	150 - 200
Flue throat (mm)	Flue Hals (mm)	Flue la gorge (mm)	Fumi gola (mm)	200
CAI diameter (mm)	CPV-Durchmesser (mm)	Diamètre de l'AAC (mm)	Diametro ACA (mm)	150
Dimensions of the combustion chamber HxWxD (mm)	Maße Feuerraum HxBxT (mm)	Dimensions de la chambre de combustion HxLxP (mm)	Dimensioni della camera di combustione AxLxP (mm)	696 x 788 x 289
Dimensions of the furnace door HxWxD (mm)	Maße Ofentür HxBxT (mm)	Dimensions de la porte du four HxLxP (mm)	Dimensioni della porta del forno AxLxP (mm)	626 x 851
Min. cross section of convect air inlet for nominal output (cm ²)	Min. Querschnitt der Konvektionsluftzufuhr f. die Nennleistung (cm ²)	Section min. de l'arrivée d'air de convection pour rendement nominal (cm ²)	Sezione minima dell'immissione di aria di convezione per la potenza nominale (cm ²)	900
Min. cross section of convect air outlet for nominal output (cm ²)	Min. Querschnitt des Konvektionsluftausgangs f. die Nennleistung (cm ²)	Section min. de la sortie d'air de convection pour rendement nominal (cm ²)	Sezione minima dell'uscita di aria di convezione per la potenza nominale (cm ²)	1070
Door design (Right=1 / Left=2 / Sliding =3)	Türausführung (Rechts=1/Links=2/Schieben=3)	Réalisation de la porte (Droite=1 / Gauche=2 / Coulissant = 3)	Versione dello sportello (Destra=1 / Sinistra=2 / estraibile = 3)	3
Back door design (No=0 / Right=1 / Left=2 / Sliding =3)	Hintertür Design (Nein=0 / Rechts=1 / Links=2 / Schieben = 3)	Conception de la porte arrière (Non =0 / Droite=1 / Gauche=2 / Coulissant = 3)	Design della porta posteriore (No=0 / Destra=1 / Sinistra=2 / estraibile = 3)	0

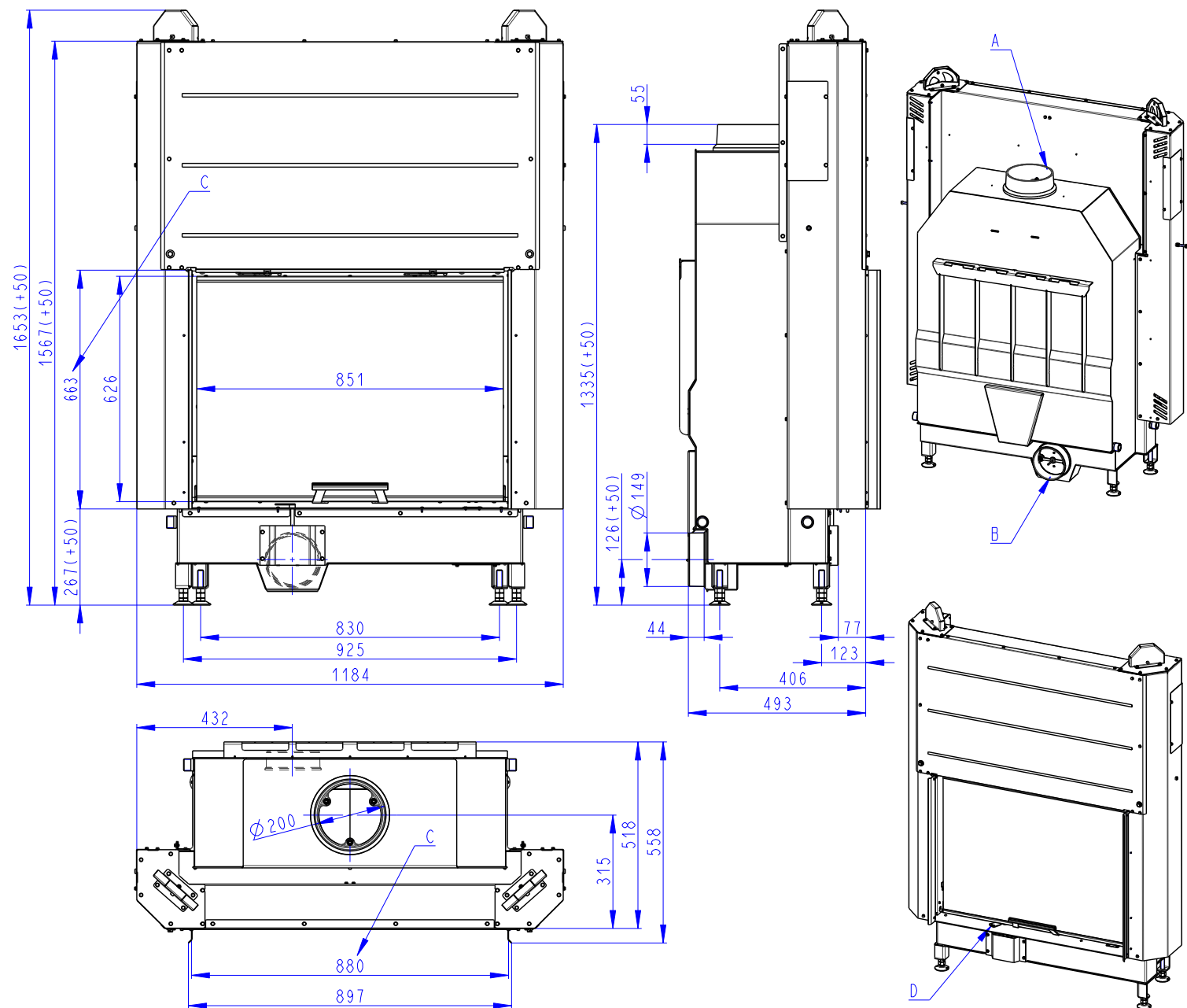
Distance from flammable materials	Abstand von Brennstoffen	Eloignement des matériaux inflammables	Distanza da materiali infiammabili	
Side (mm) Side with glass (mm)	Seitenwände (mm) Seitenglas (mm)	Latérale (mm) Verre latéral (mm)	Laterali (mm) Vetro laterale (mm)	X ≥ 400 -
Back (mm)	Hinterwand (mm)	Arrière (mm)	Posteriore (mm)	Z ≥ 400
Front (mm)	Frontwand (mm)	Frontale (mm)	Anteriore (mm)	Y ≥ 800
From the ceiling (mm)	Von der Decke (mm)	Du plafond (mm)	Dal soffitto (mm)	V ≥ 1000

Supplied accessories	Mitgeliefertes Zubehör	Accessoires fournis	Accessori forniti	
Protective glove yes=1 / no=2	Schutzhandschuh ja=1 / nein=2	Gant de protection oui=1 / non=2	Guanto protettivo si=1 / no=2	1
Hook to open the ashtray yes=1 / no=2	Haken um den Aschenbecher öffnen ja=1 / nein=2	Crochet pour ouvrir le cendrier oui=1 / non=2	Agganciare per aprire il posacenere si=1 / no=2	2
Ashtray yes=1 / no=2	Aschenbecher ja=1 / nein=2	Cendrier oui=1 / non=2	Portacenere si=1 / no=2	2
Chimney brush yes=1 / no=2	Kaminbürste ja=1 / nein=2	Brosse à cheminée oui=1 / non=2	Spazzola camino si=1 / no=2	2
Automatic ventilation valve yes=1 / no=2	Automatisches Entlüftungsventil ja=1 / nein=2	Vanne d'aération automatique oui=1 / non=2	Valvola di scarico automatica si=1 / no=2	2
Cooling loop yes=1 / no=2	Thermischen Ablaufsicherung ja=1 / nein=2	Boucle de refroidissement oui=1 / non=2	Ciclo di raffreddamento si=1 / no=2	2
Cooling valve yes=1 / no=2	Abkühlventil ja=1 / nein=2	Vanne de refroidissement oui=1 / non=2	Valvola di raffreddamento si=1 / no=2	2
Cover with insulation yes=1 / no=2	Abdeckung mit Isolierung ja=1 / nein=2	Couvert avec isolation oui=1 / non=2	Copertura con isolamento si=1 / no=2	2

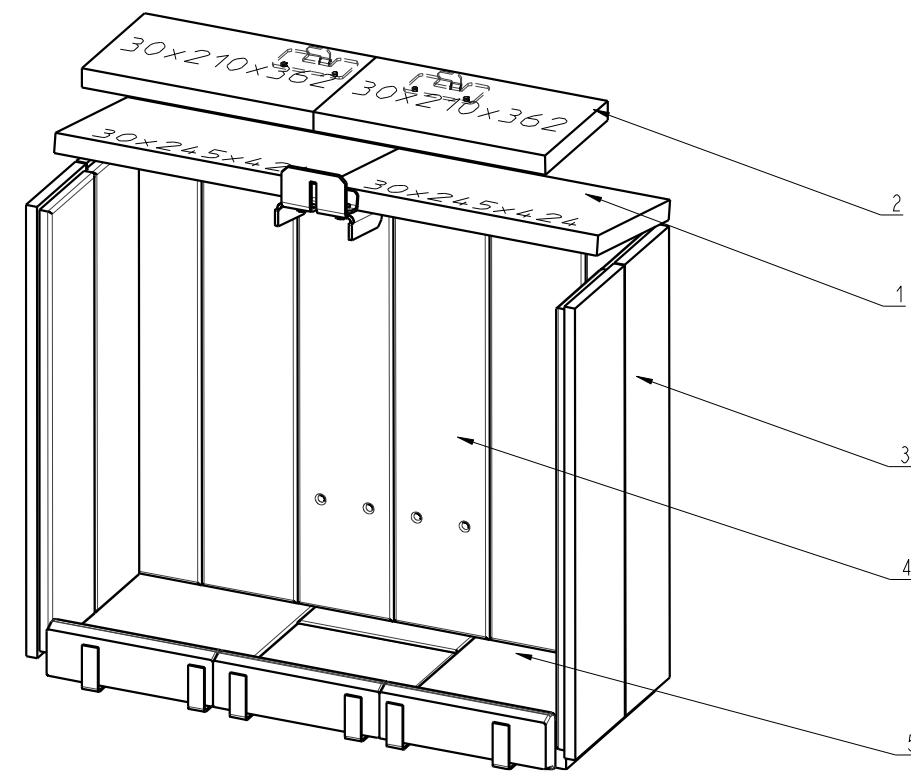
Air regulation, Luftregulierung, Régulation d'air, Regolazione aria



Dimension sketch, Maßzeichnung, Croquis des dimensions, Dimensioni ingombro



Combustion chamber, Brennkammer, Chambre de combustion, Camera di combustione



EN – Procedure for exchange of Combustion chamber:

1. Pull out the ceiling plat – 1,2
2. Pull out the side plates - 3
3. Pull out the bottom plates - 5
4. Pull out the rear plates - 4
5. Use the reverse order for re-assembly

FR - Procédé pour changer:

1. Sortir le plaque en supérieur – 1,2
2. Sortir les latérales - 3
3. Sortir les latérales - 5
4. Sortir les arrières - 4
5. Montage à l'envers dans l'ordre inverse

Note: Cracks in the plate do not have any effect on the combustion and service life of the stove. The plates should not remain crumbled to the metal for prolonged periods of time.

Remarque : Une fissure isolée sur la n'influe pas sur la combustion ni la durée de vie du poêle.

Les ne devraient pas rester à long terme égrenées jusqu'à la tôle

Warning: When stoking logs, make sure they do not hit the plates hard to prevent damage!

Avertissement : Rajoutez les bûches de façon à ce qu'elles ne frappent pas brusquement les, cela les abimerait !

DE - Vorgang beim Austausch der Brennblöcke:

1. Decken Platte herausziehen – 1,2
2. Seiten Platten herausziehen - 3
3. Untere Platten herausziehen - 5
4. Hintere Platten herausziehen - 4
5. Wiedereinbau in umgekehrter Reihenfolge

IT – Procedimento per la sostituzione:

1. Estrarre gli chamotte superiore – 1,2
2. Estrarre gli chamotte laterali - 3
3. Estrarre gli chamotte sul fondo - 5
4. Estrarre gli chamotte posteriori - 4
5. Il rimontaggio si effettua nell'ordine inverso

Bemerkung: Ein einzelner Sprung hat keinen Einfluss auf das Brennverhalten sowie die Haltbarkeit des Ofens Die Brennblöcke sollten nicht langfristig bis auf das Blech herausgebröckelt bleiben

Nota: Le eventuali screpolature non hanno alcuna influenza né sulla combustione né sulla vita utile della stufa. Si consiglia di non lasciare gli a lungo sgretolati fino alla lamiera.

Avvertimento: I pezzi di legno vanno applicati in modo tale da non farli urtare bruscamente contro lo, per evitare conseguenti danneggiamenti!

Hinweis: Beim Zulegen mit den Holzscheiten nicht heftig an den Brennblöcke stoßen und diesem hiermit beschädigen!

		Description EN:	Beschreibung DE:	Description FR :	Descrizione IT:
A	ø 200 mm	Flue throat	Flue Hals	Flue la gorge	Fumi gola
B	ø 150 mm	CAI inlet	CPV-Eingang	Entrée AAC	Ingresso ACA
C	mm	Installation space	Einbaumaße siehe	L'espace d'installation	Dimensioni costruzione
D	1 + 2	Air regulation	Luftregulierung	Régulation d'air	Regolazione aria

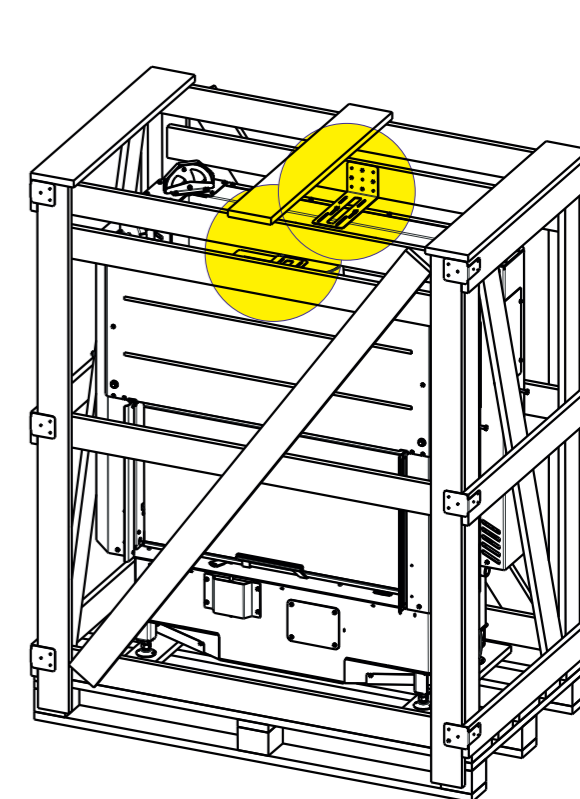
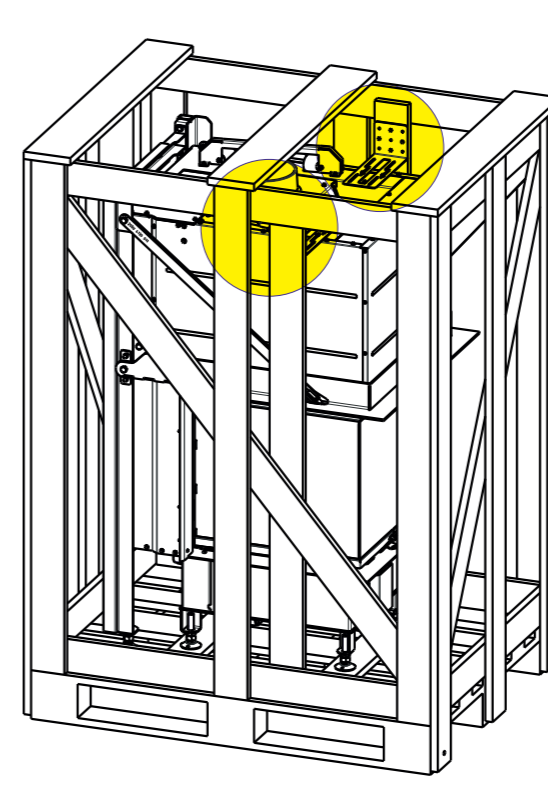
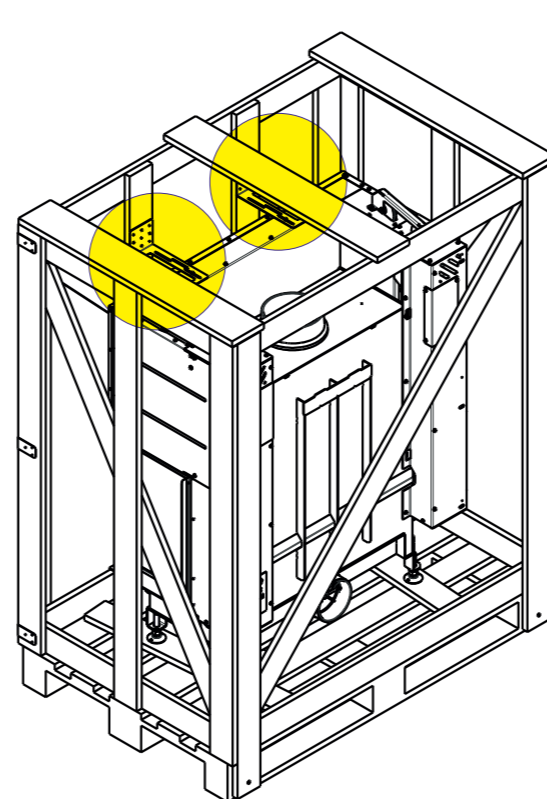
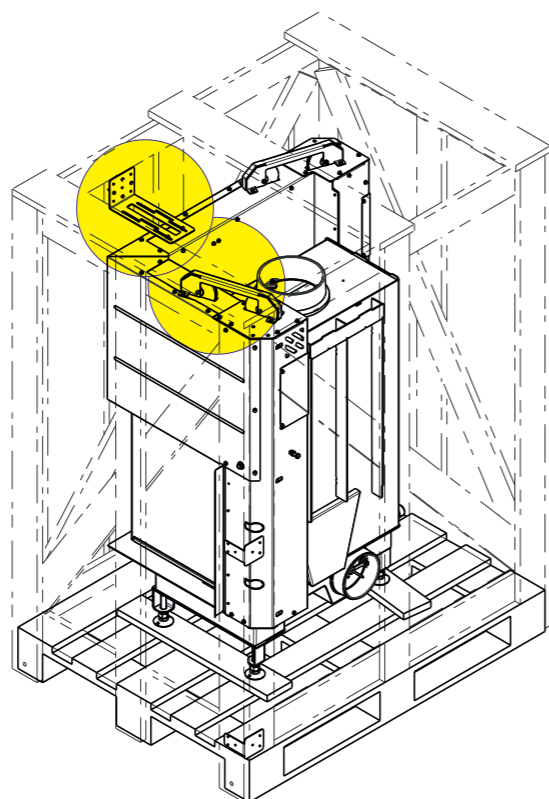
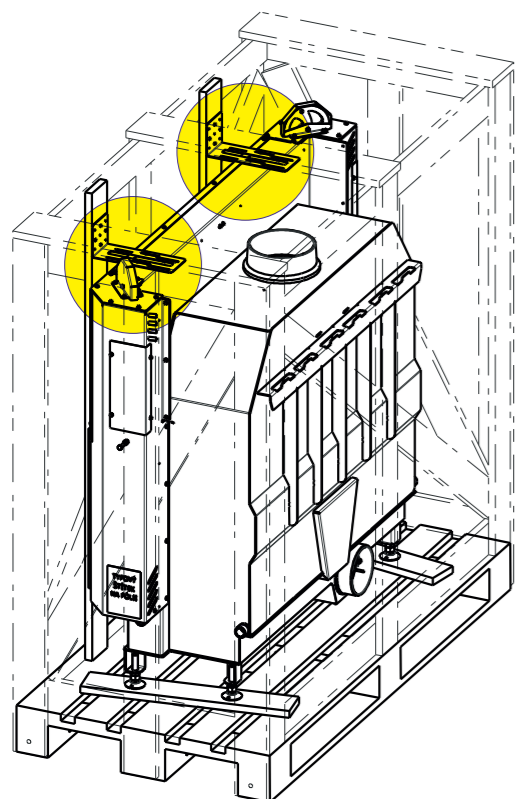
„H3L...“

„HR/L3L...“

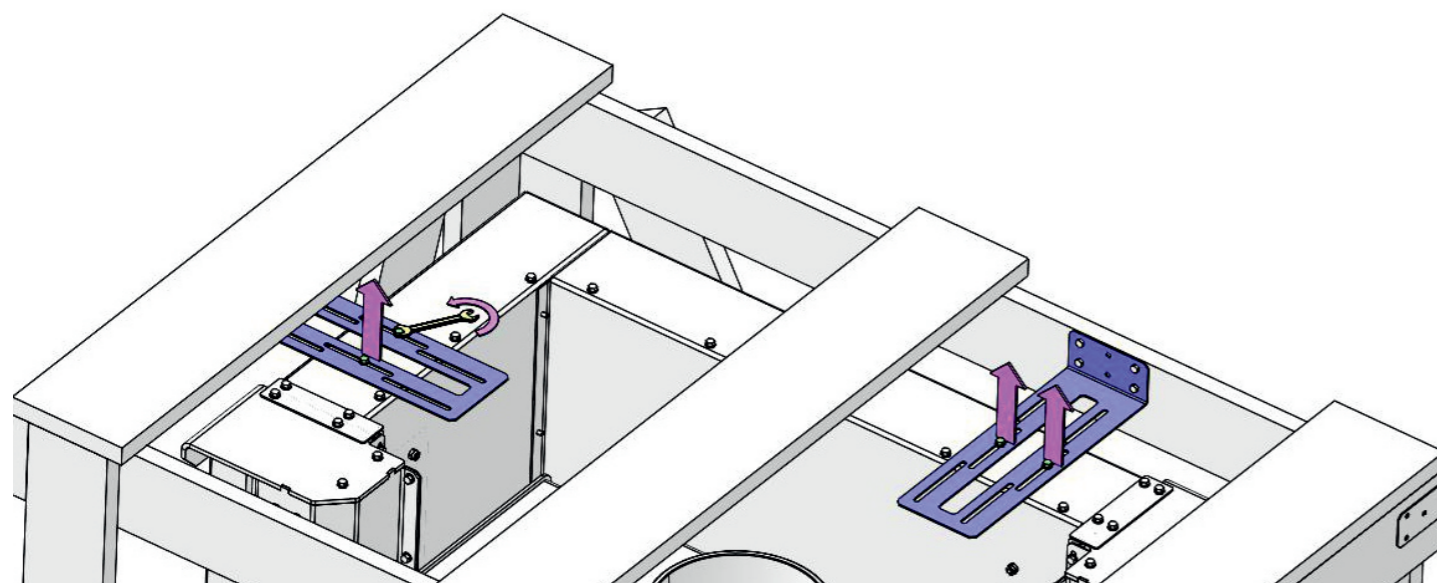
„HC3L...“

„HU3L...“

„HT3L...“

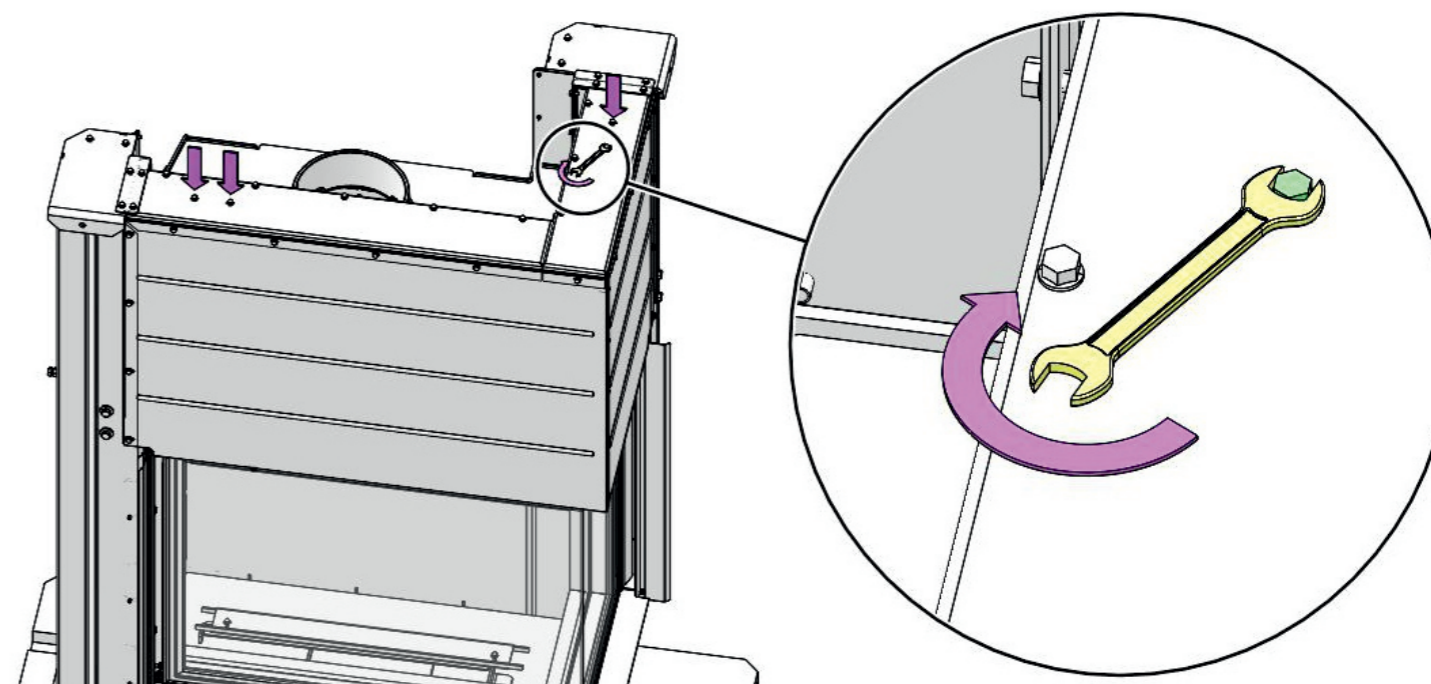


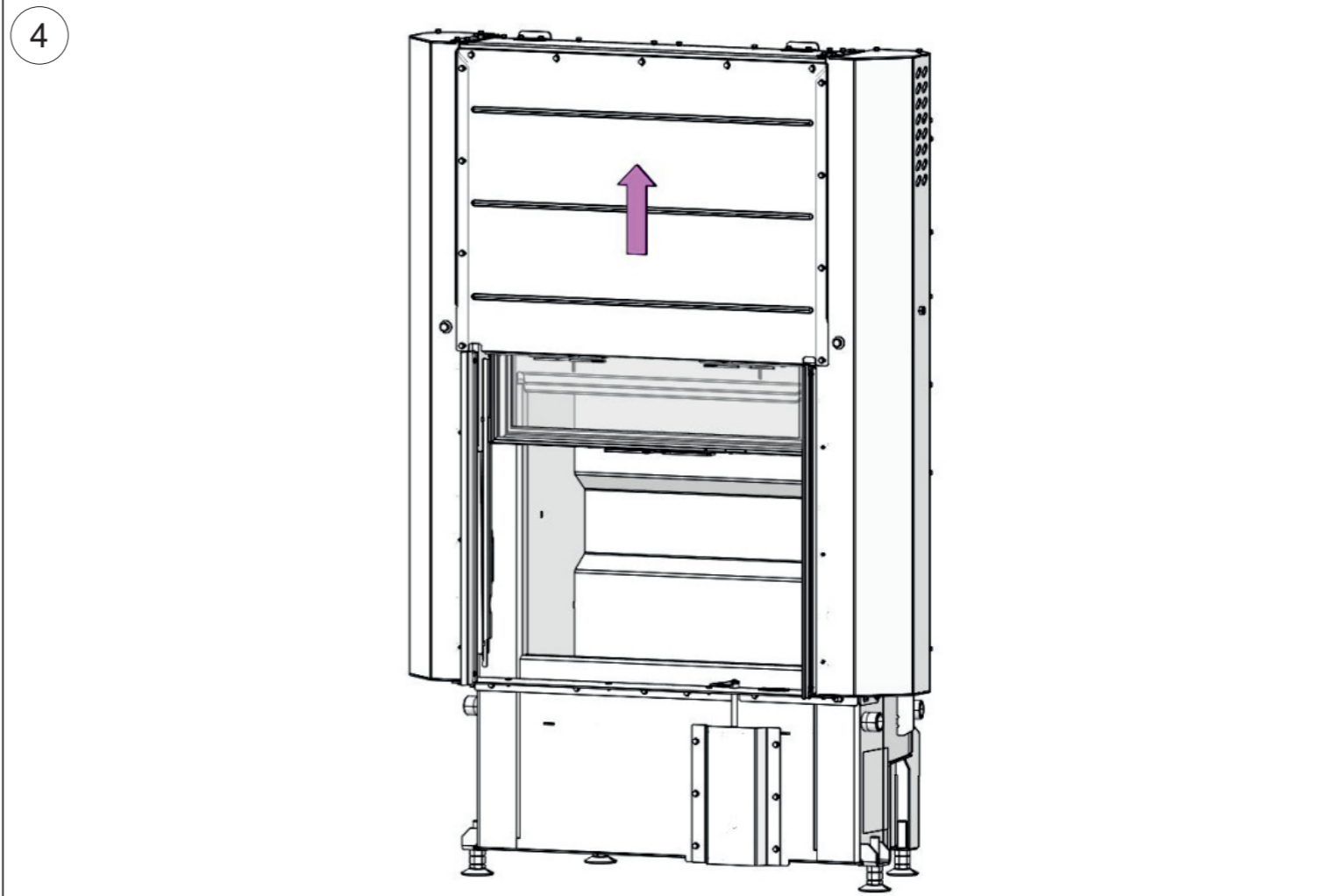
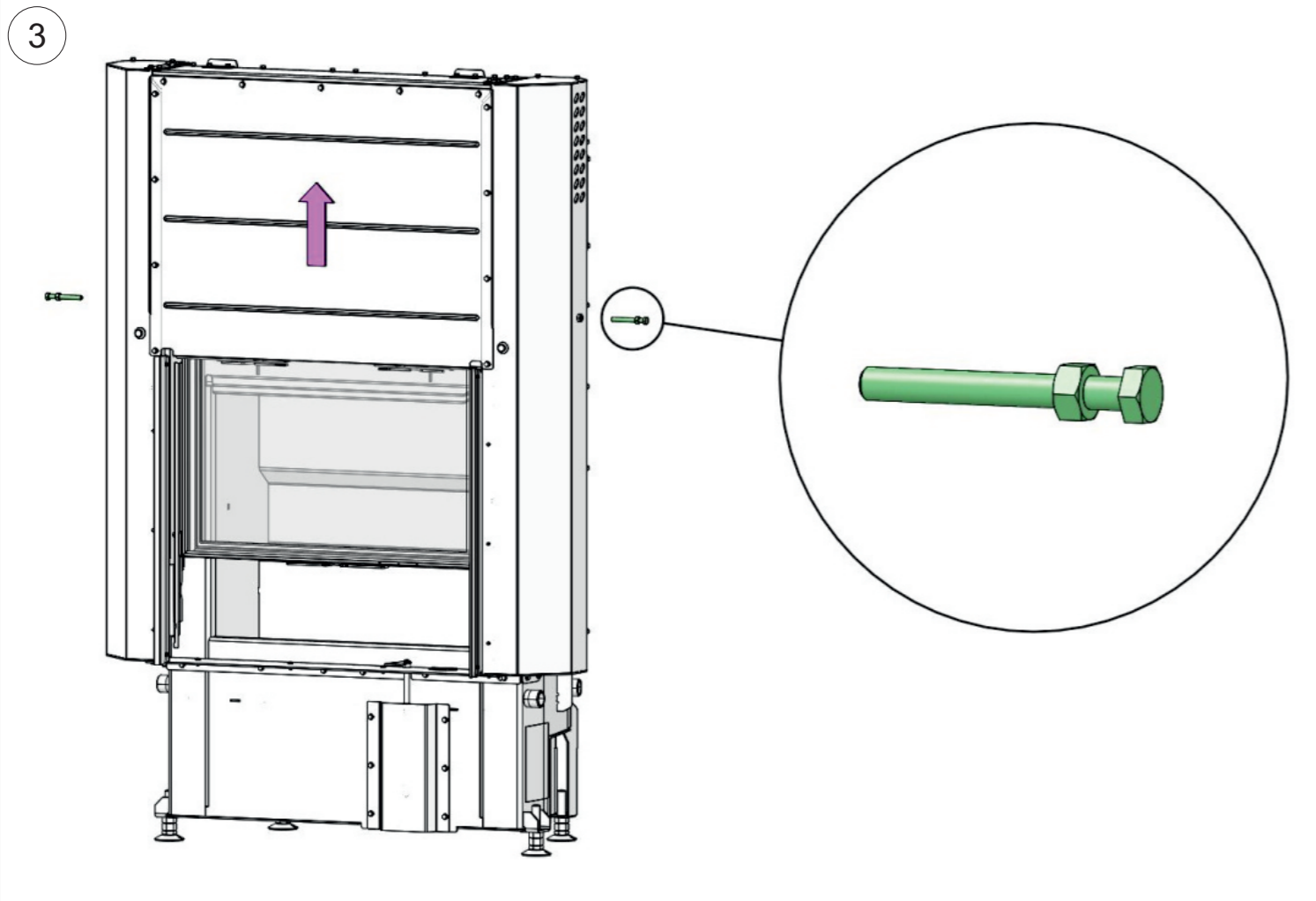
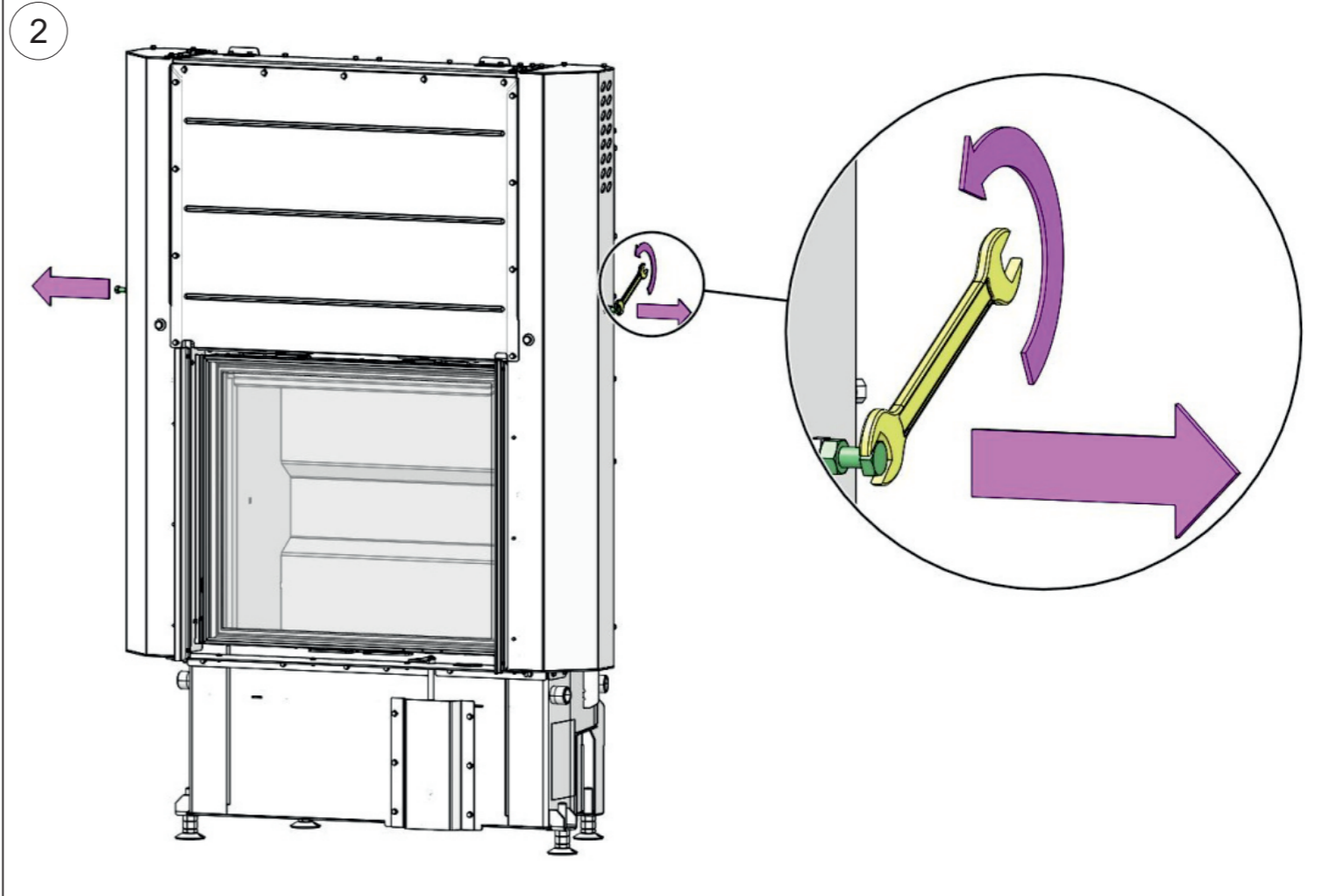
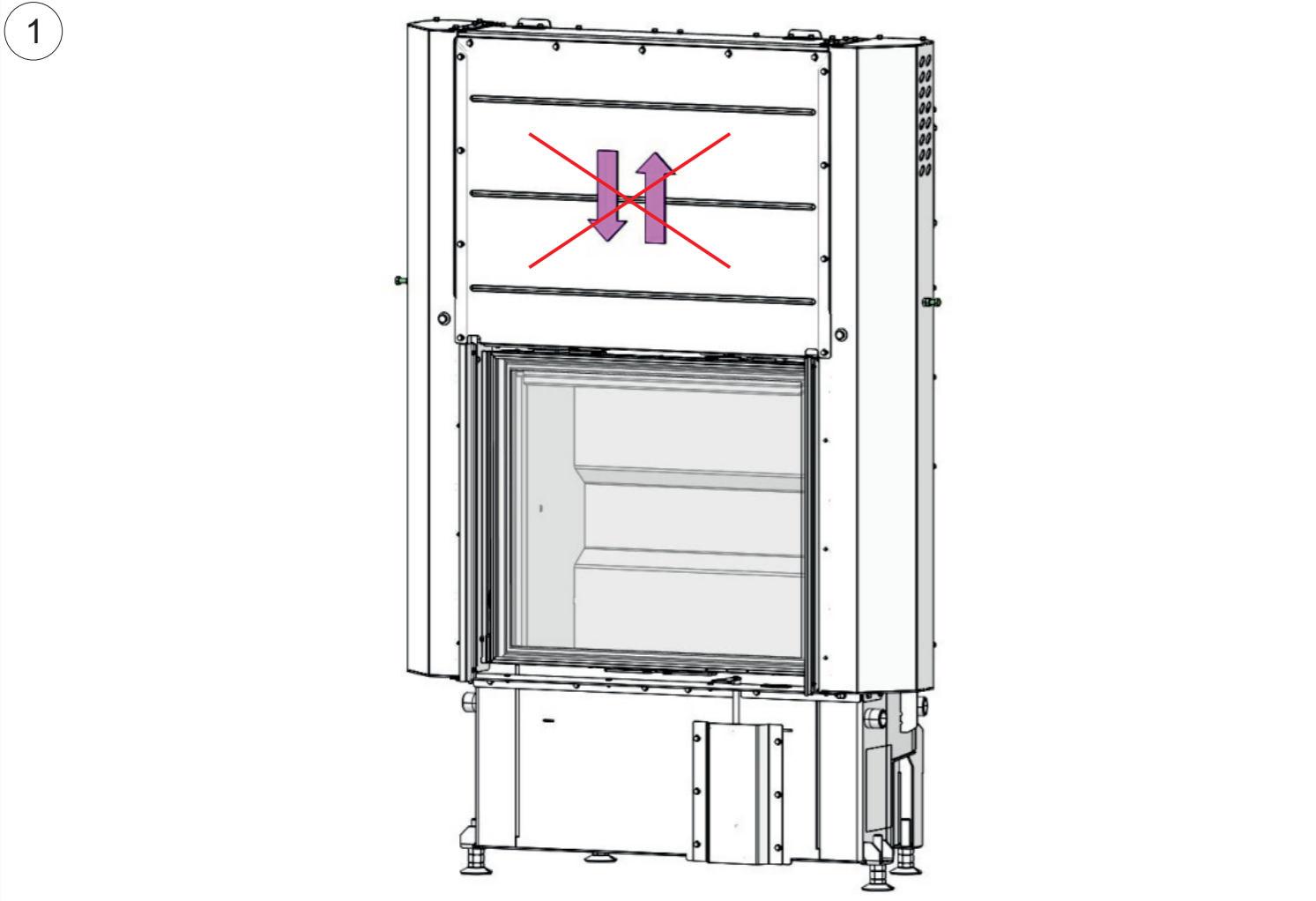
1



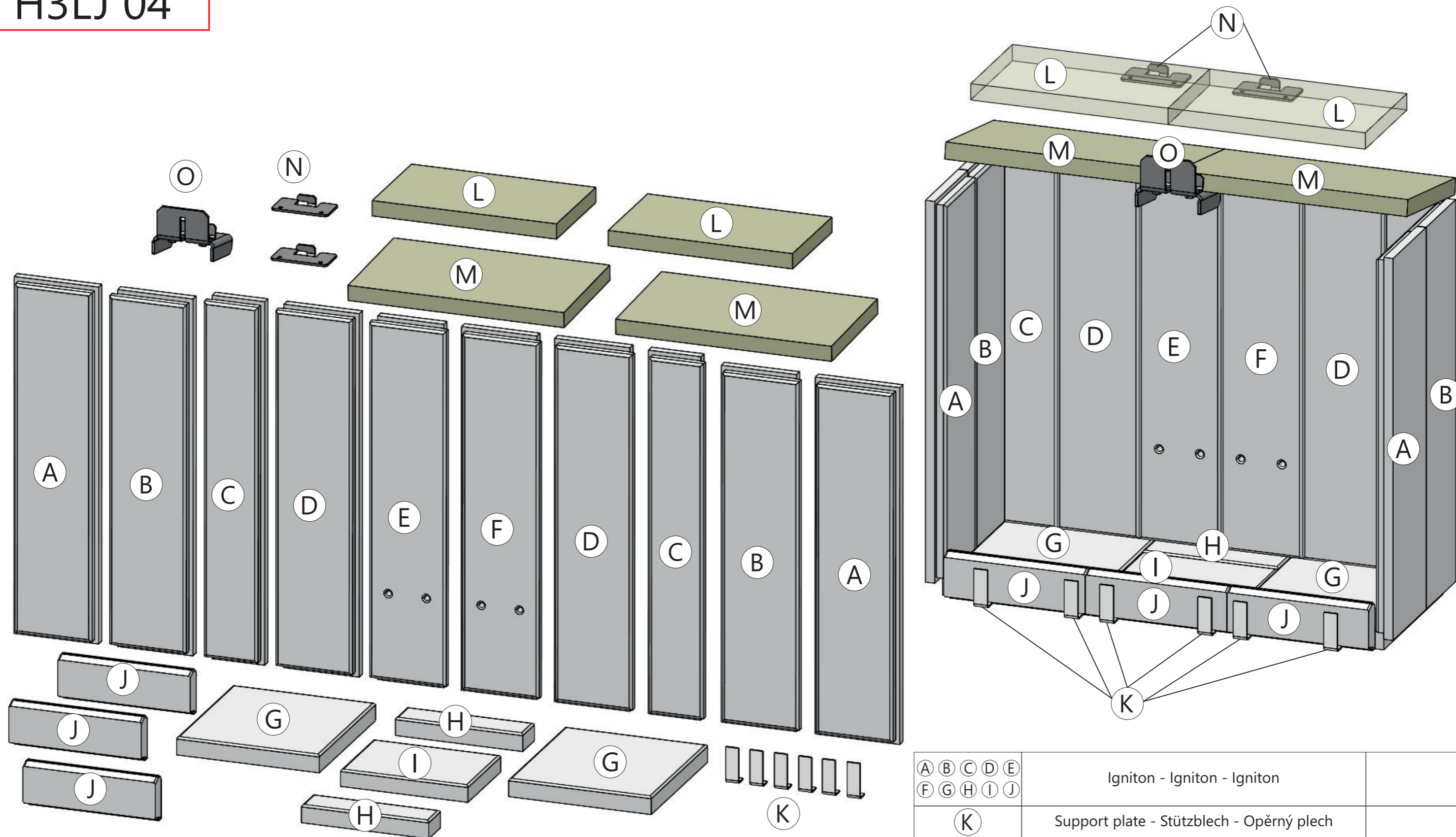
2

- | | |
|---------------------------------|--|
| CZ Šrouby zpět utáhnout | EN Tighten the screws again |
| SK Skrutky späť utiahnuť | DE Ziehen Sie die Schrauben wieder an |
| PL Ponownie dokręć śruby | FR Resserrez les vis |
| RU Снова затяните винты | IT Stringere nuovamente le viti |

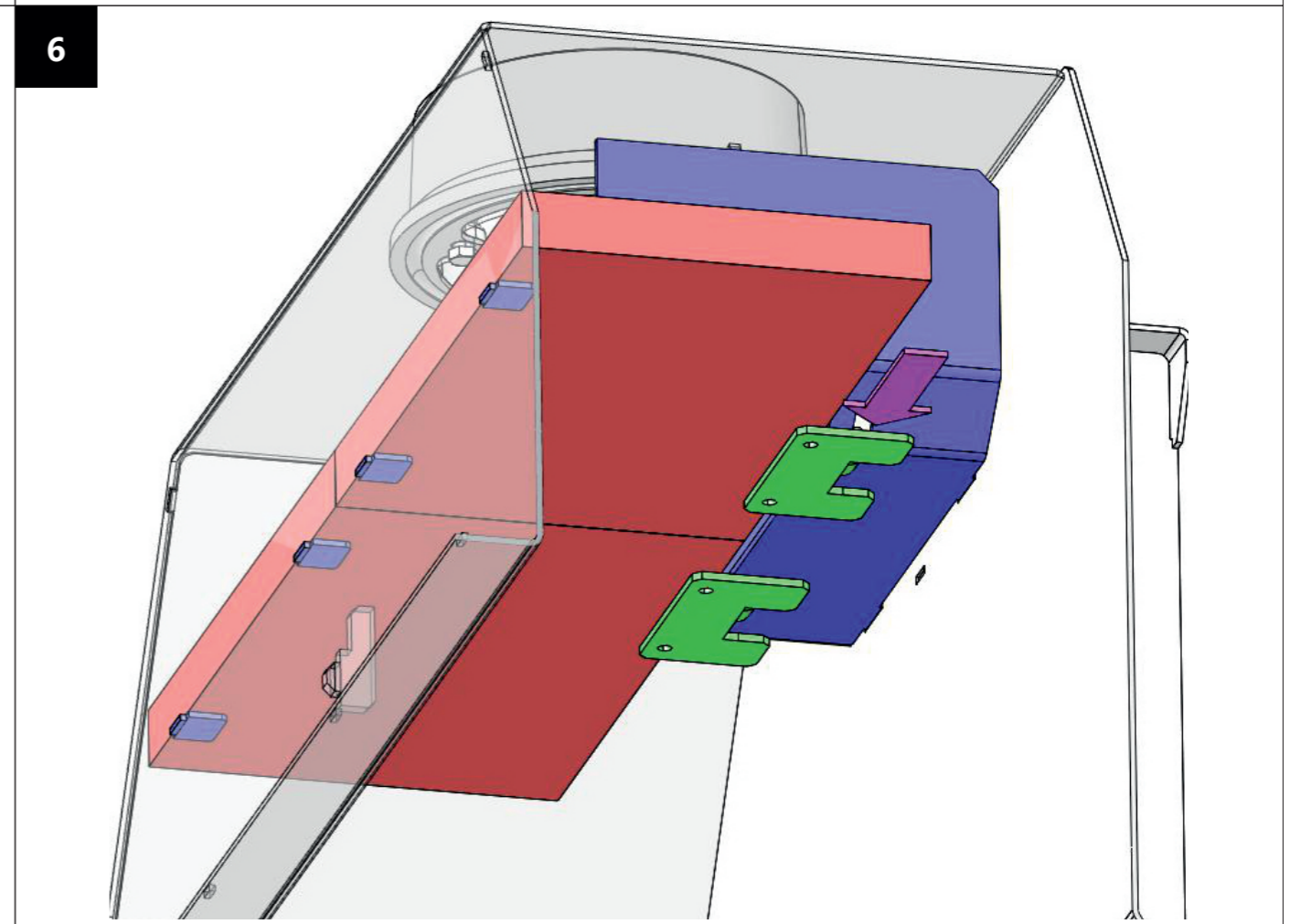
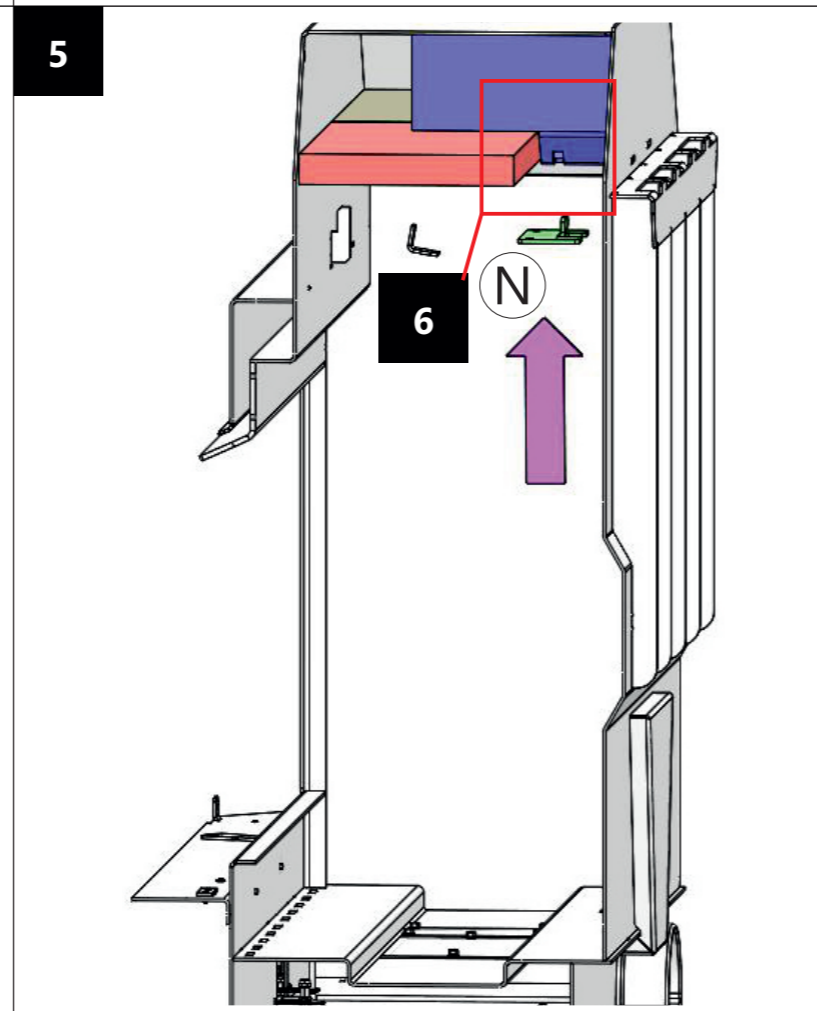
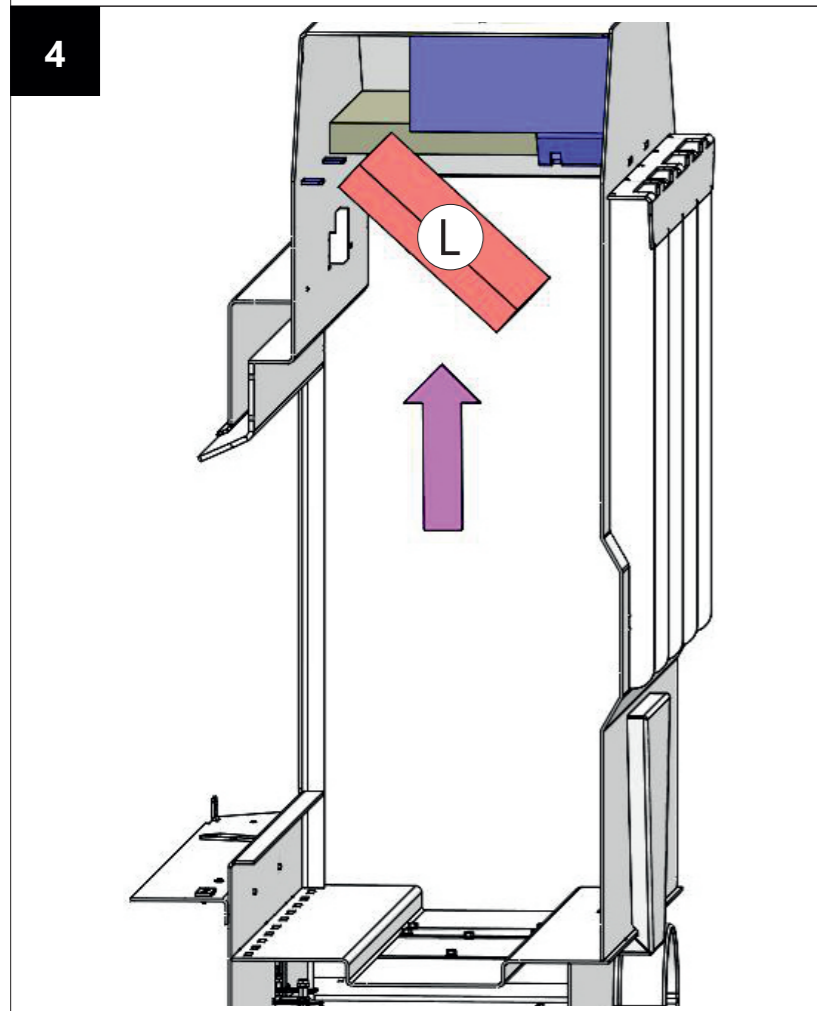
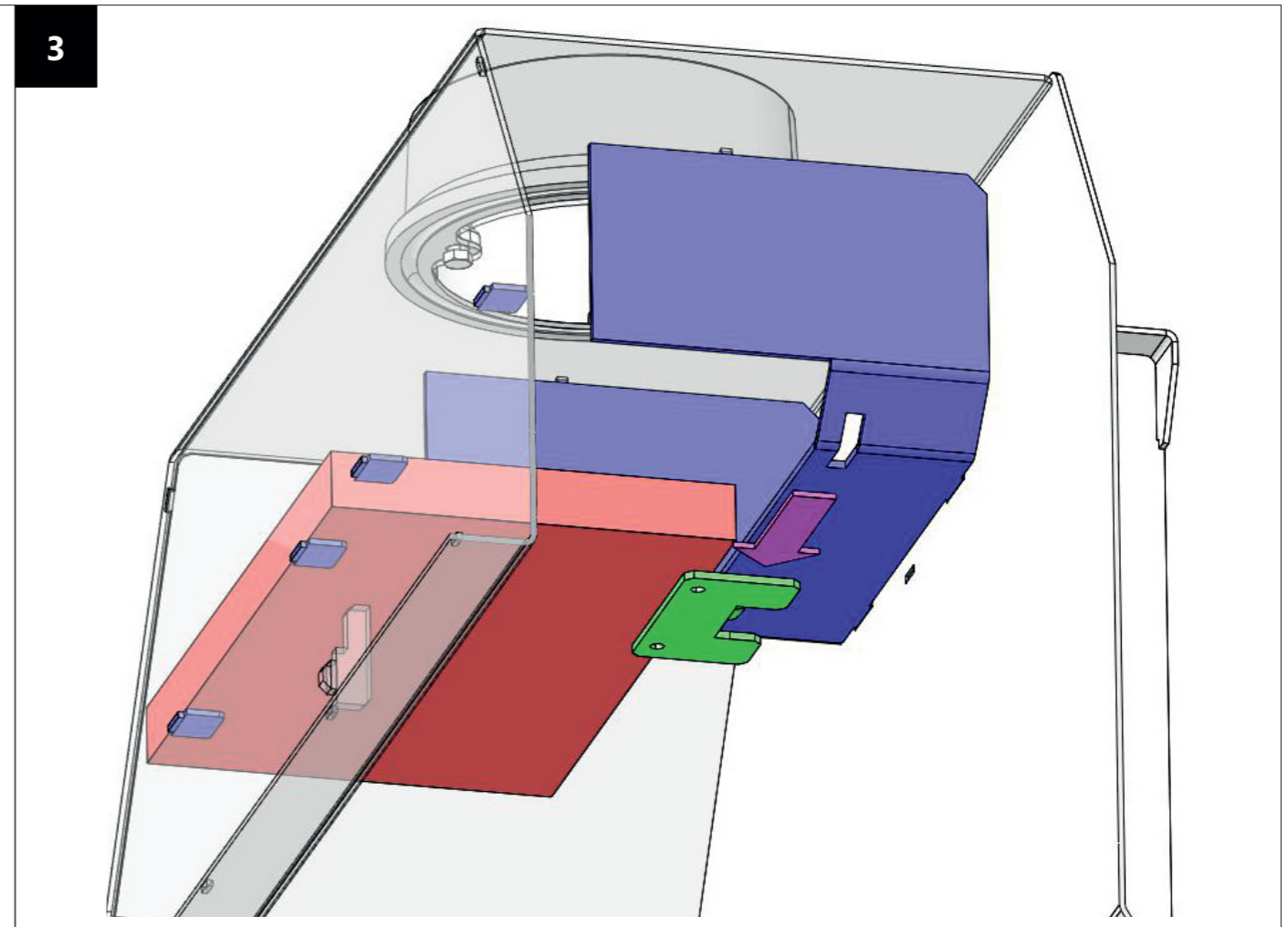
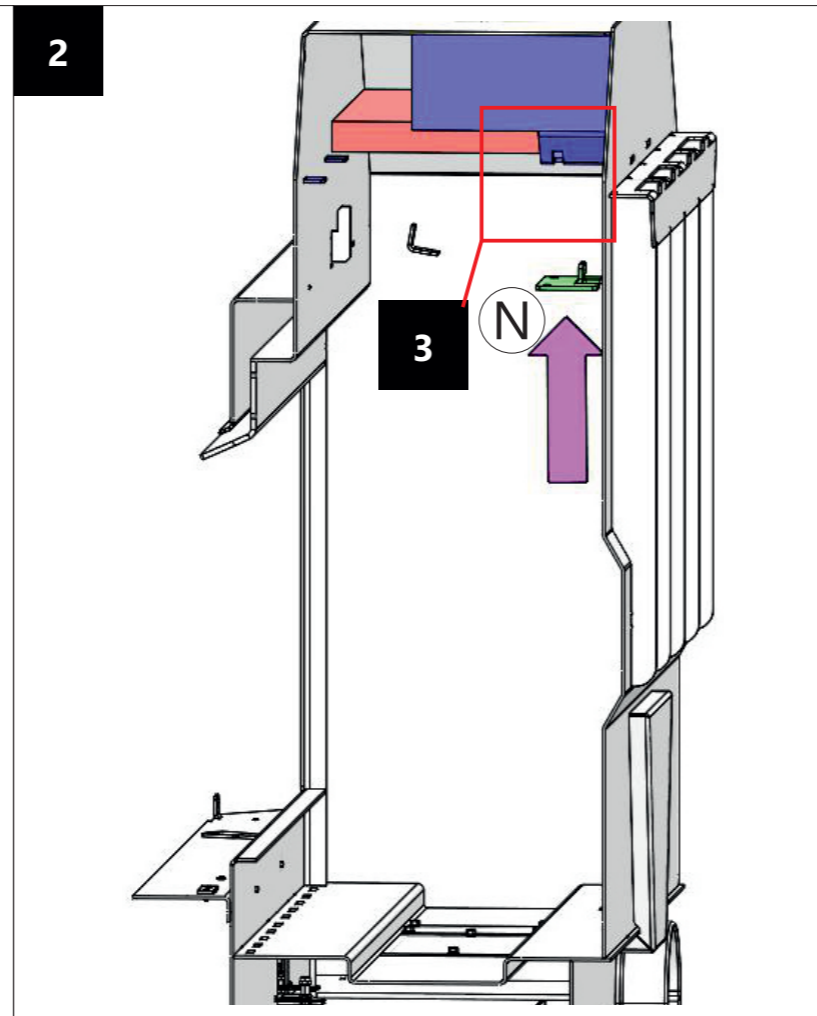
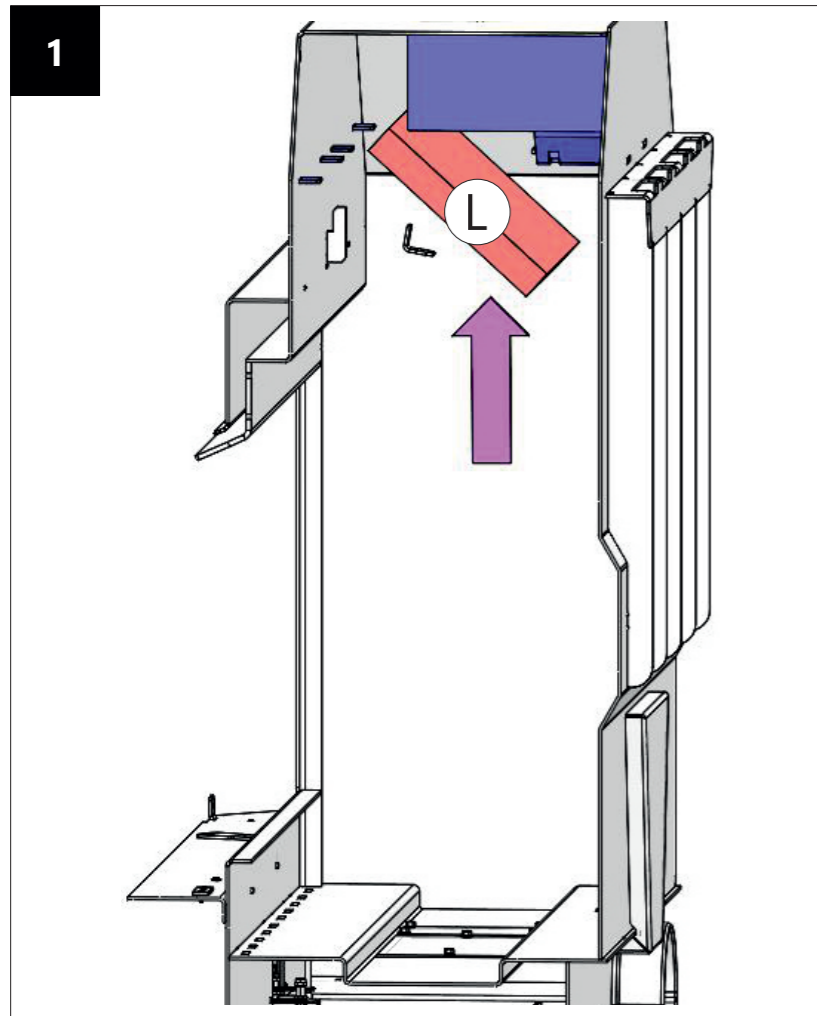




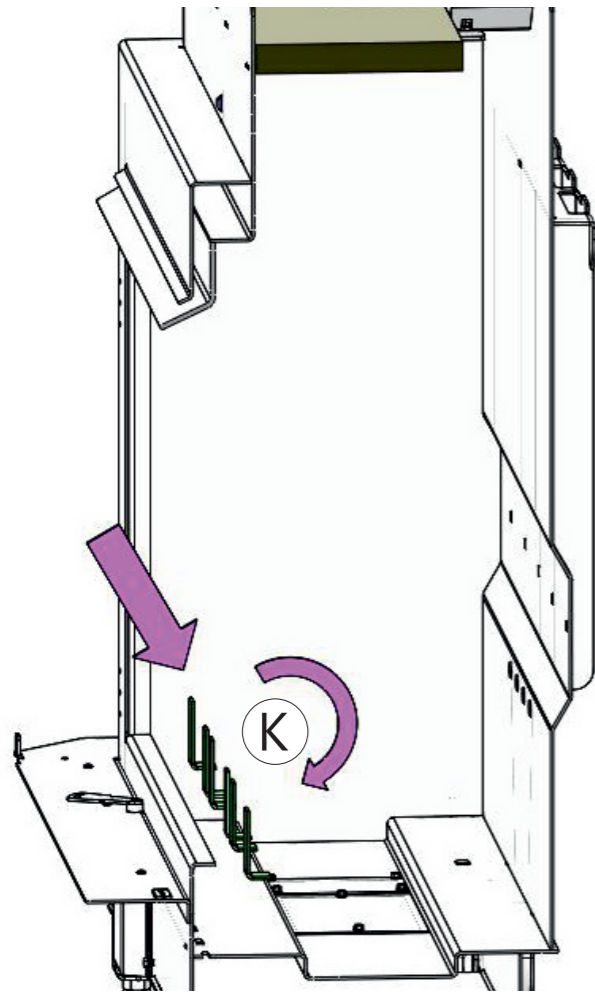
H3LJ 04



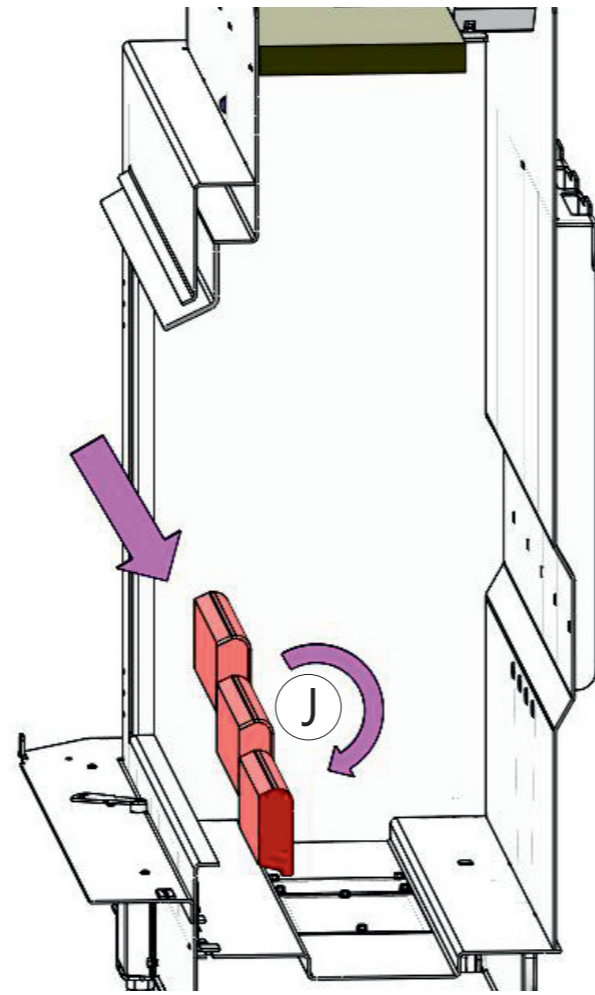
A B C D E F G H I J	Igniton - Igniton - Igniton	
K	Support plate - Stützblech - Opěrný plech	
L	Vermiculite -Vermiculit - Vermaculit	362x210x30
M	Vermiculite -Vermiculit - Vermaculit	424x245x30
N O	Roof-plate brick holder - Halter der Feuerdecke - Držák stropní desky	



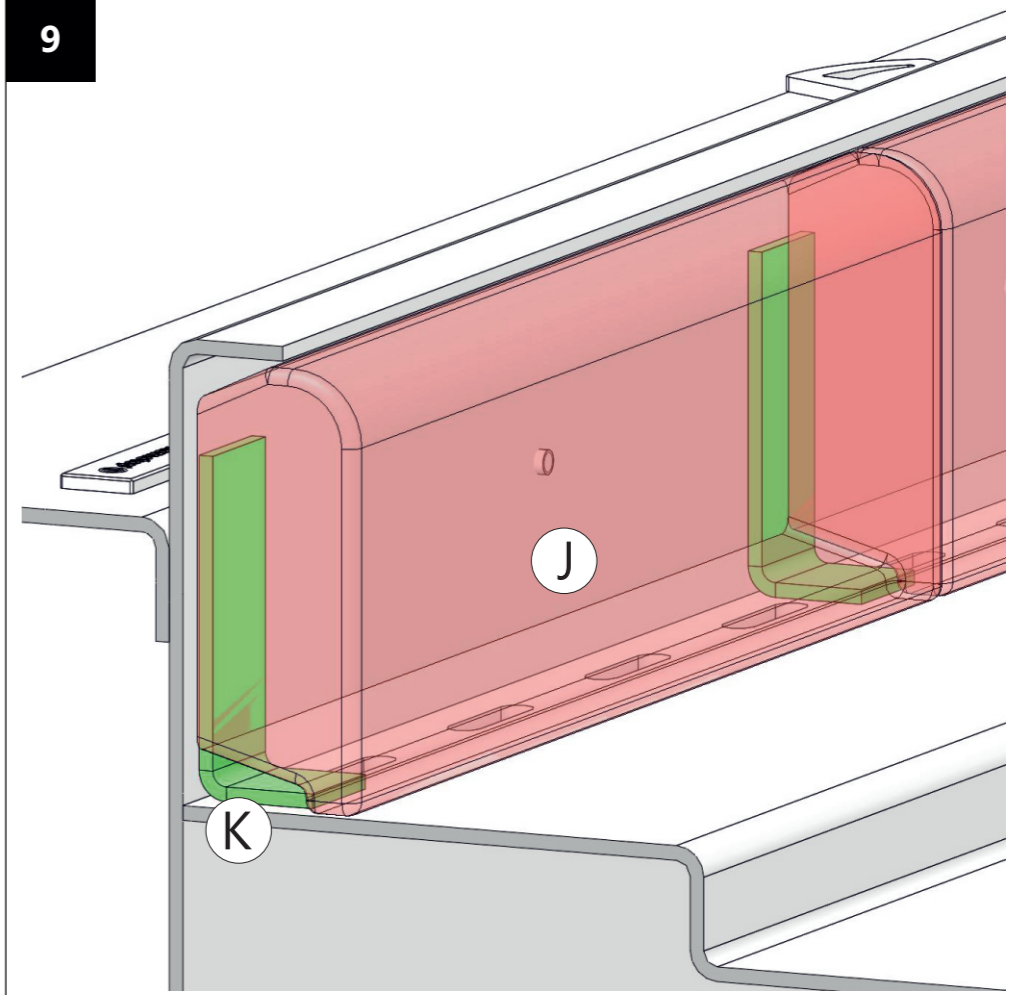
7



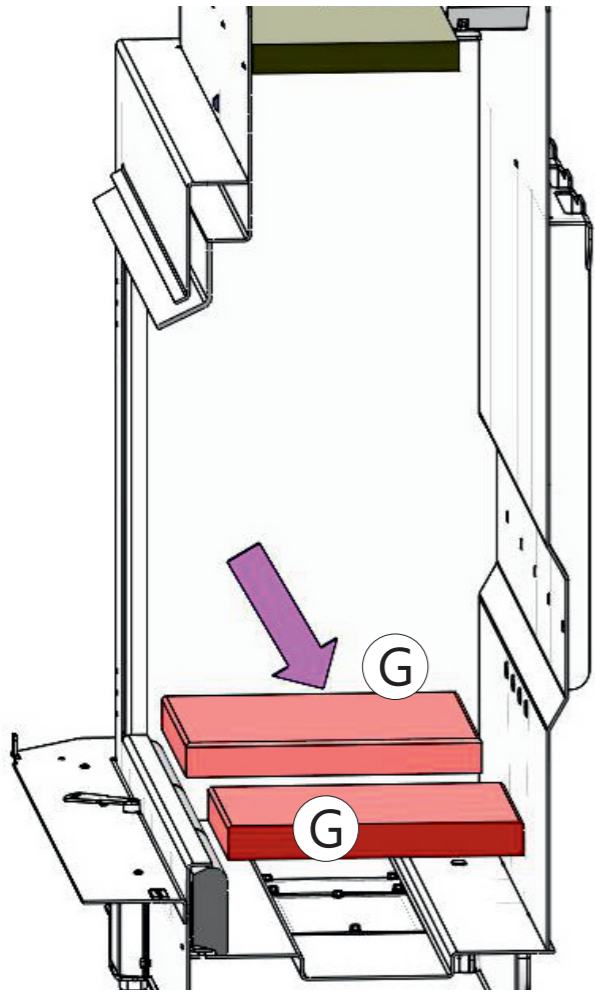
8



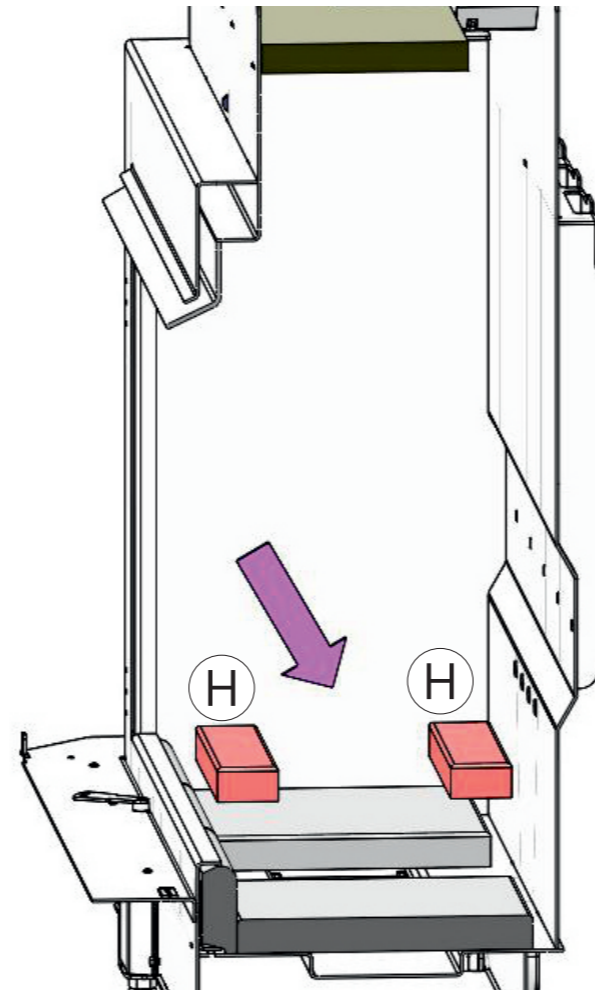
9



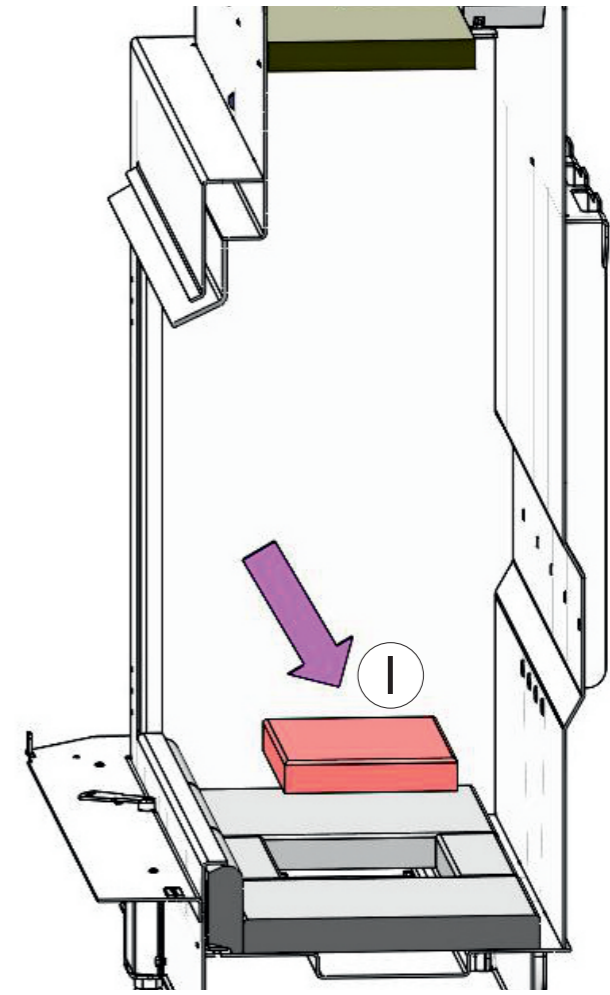
10



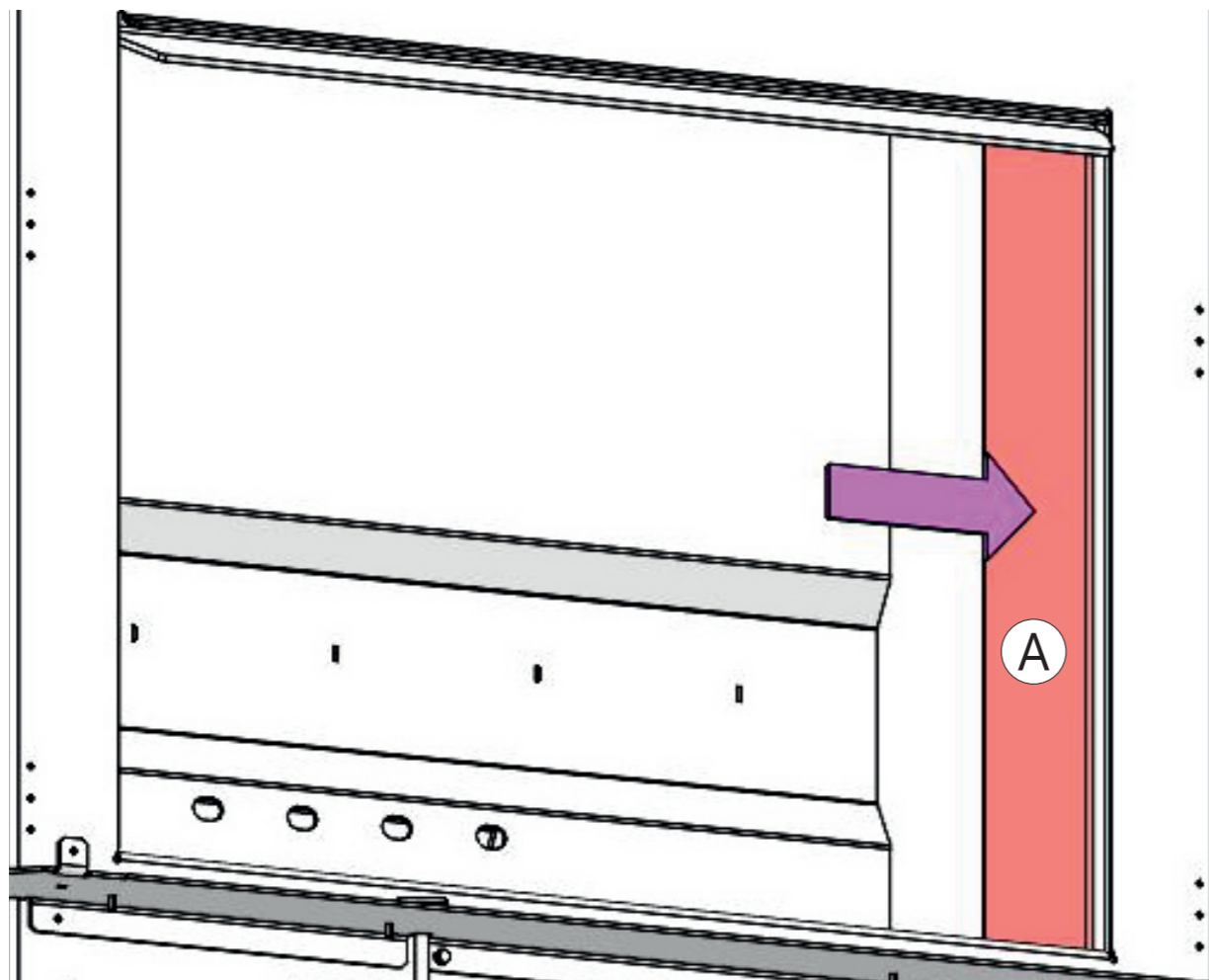
11



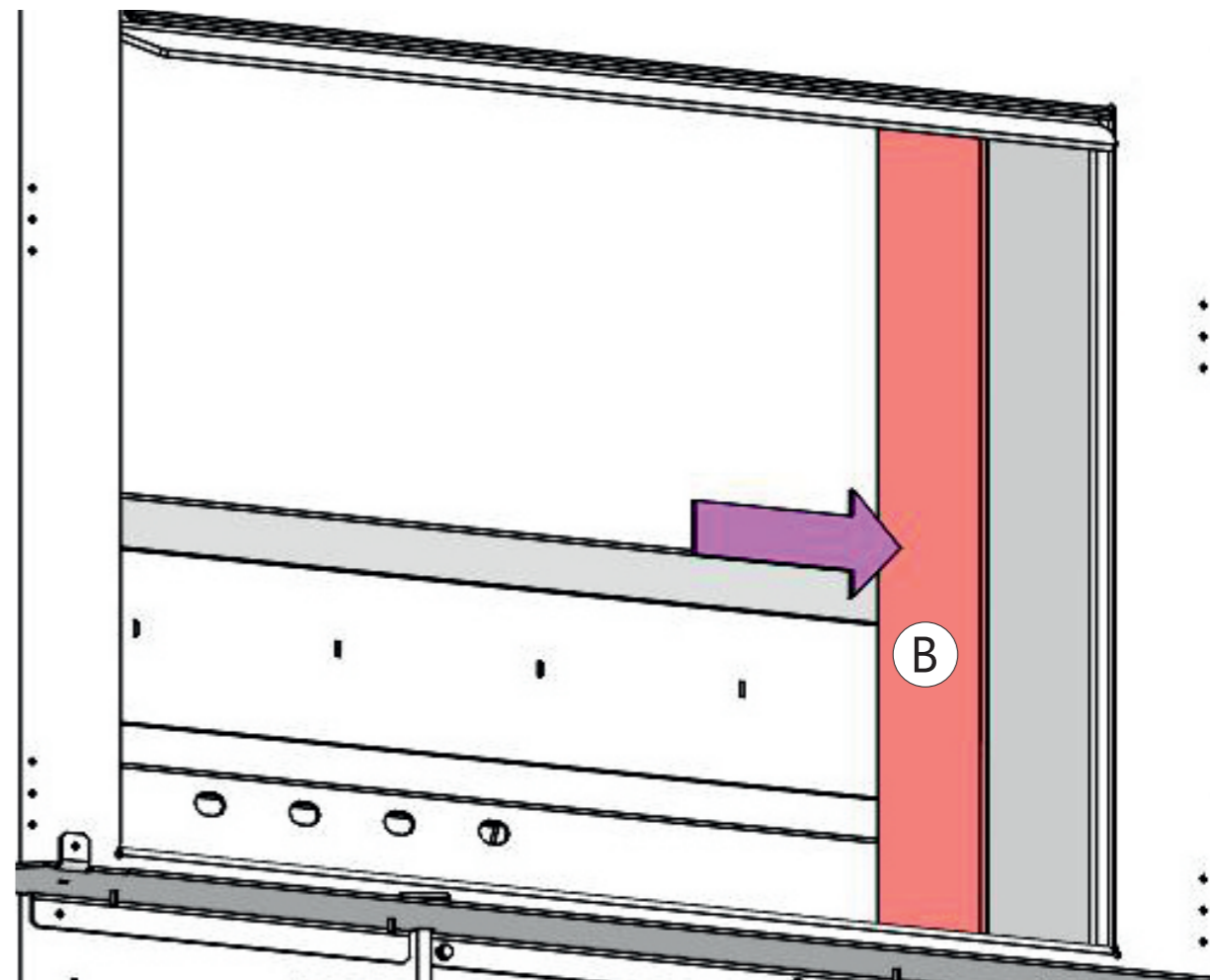
12



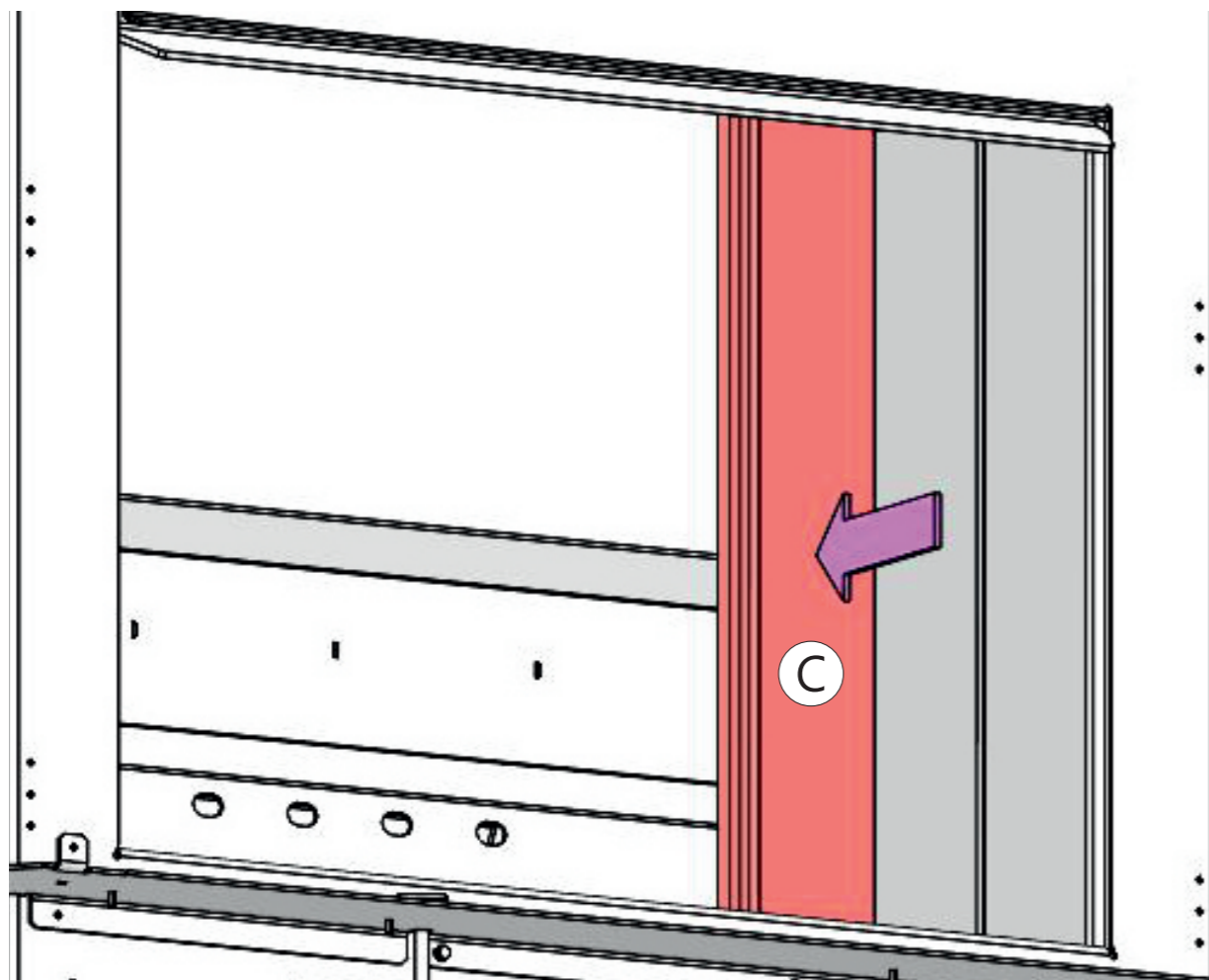
13



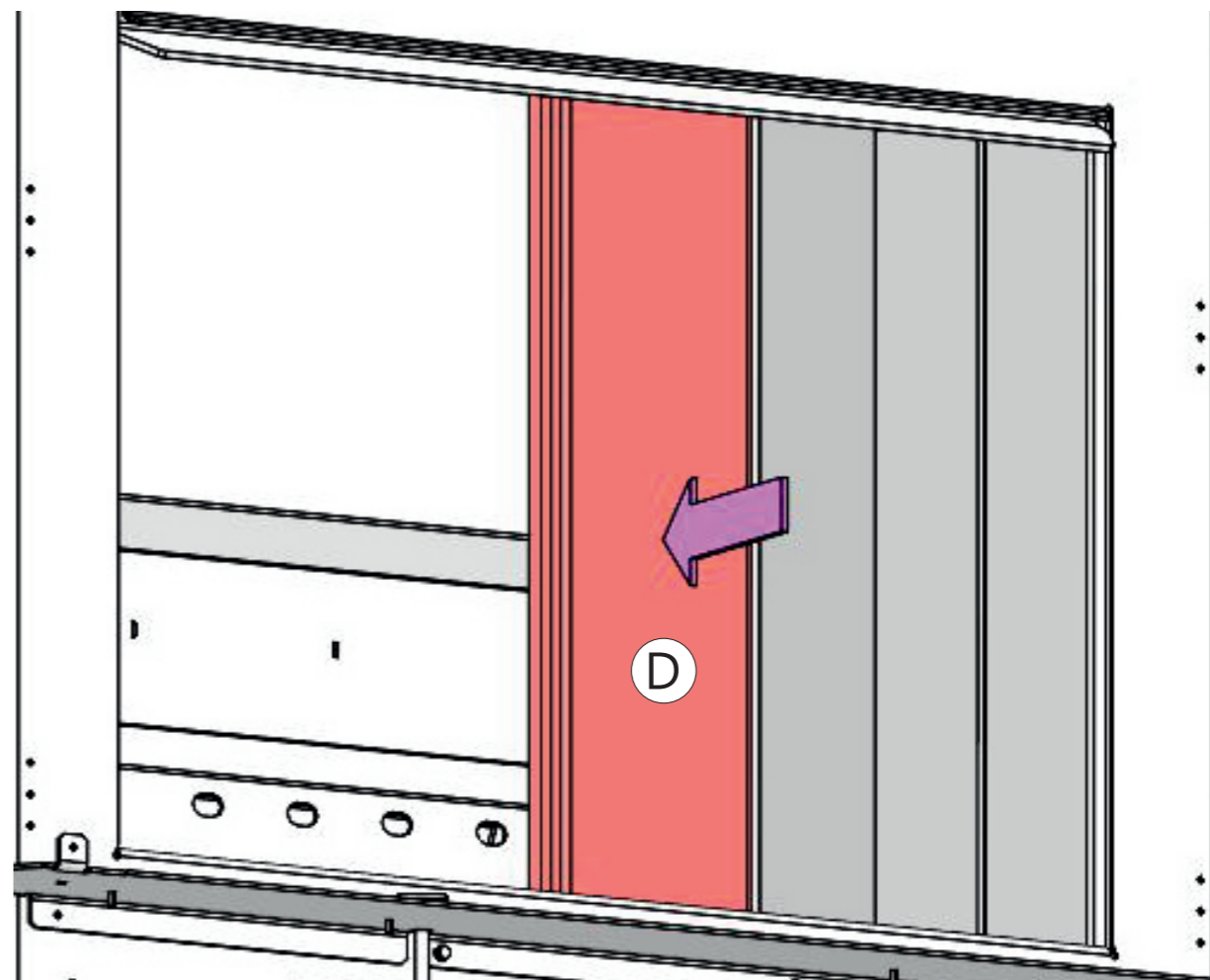
14



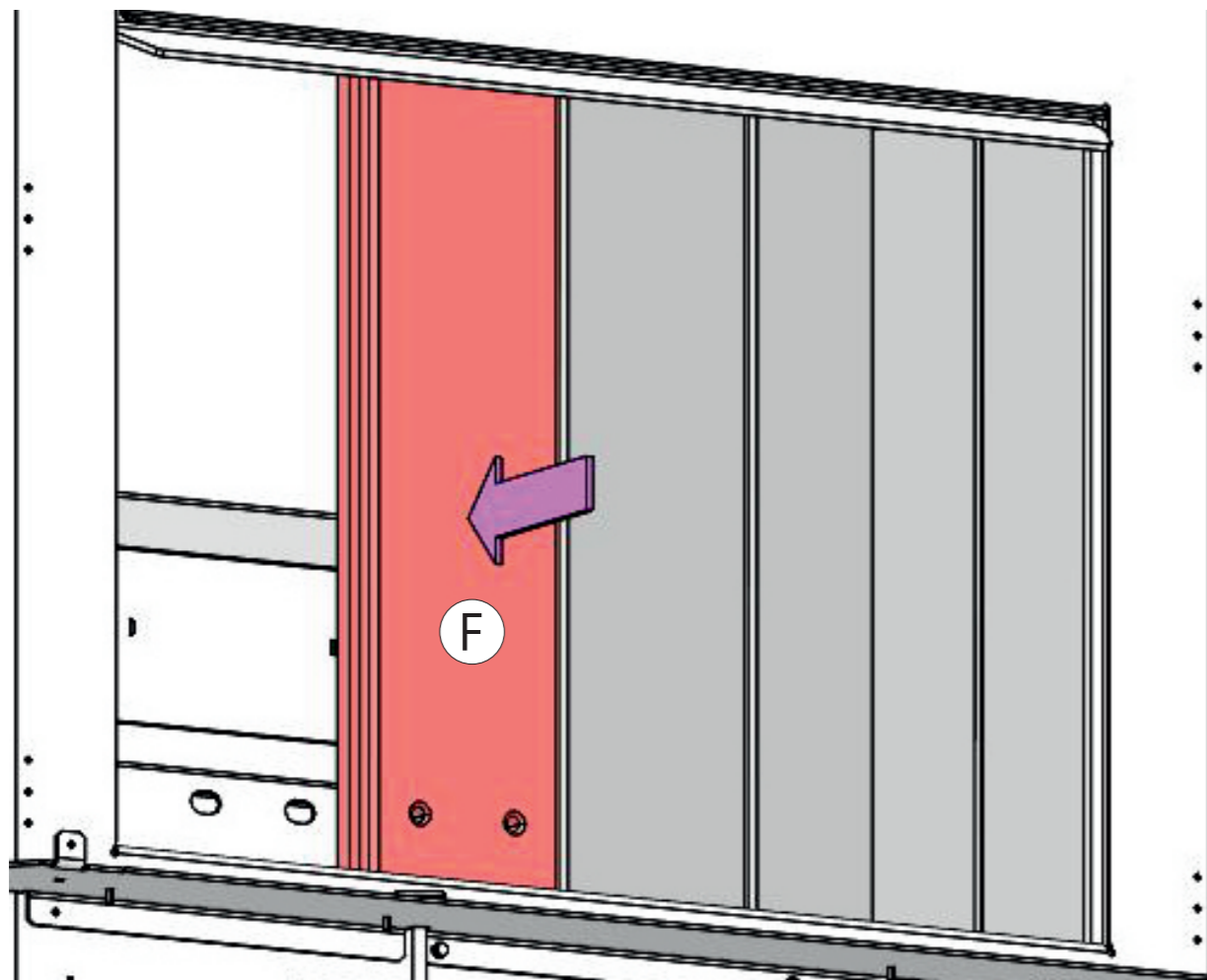
15



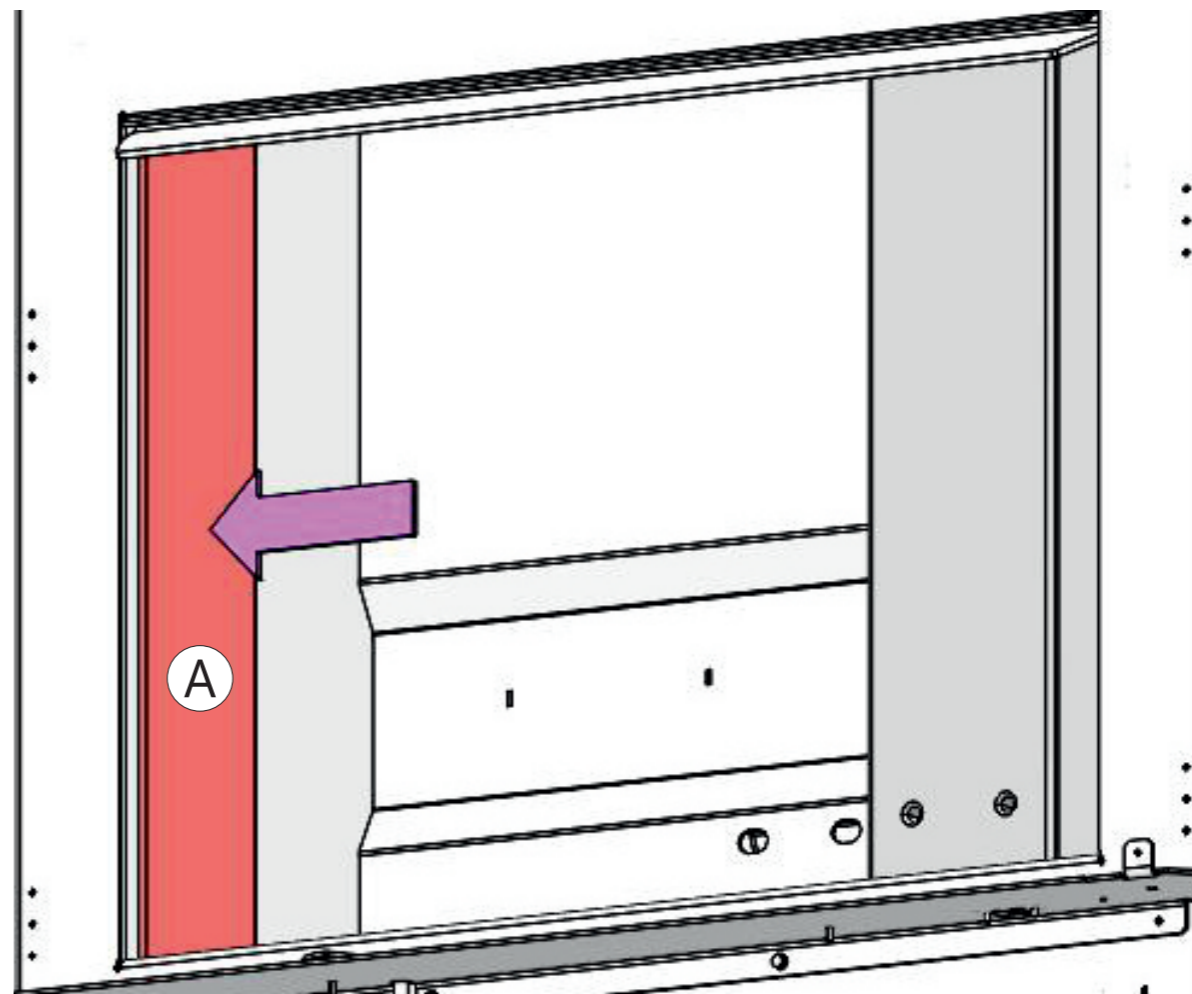
16



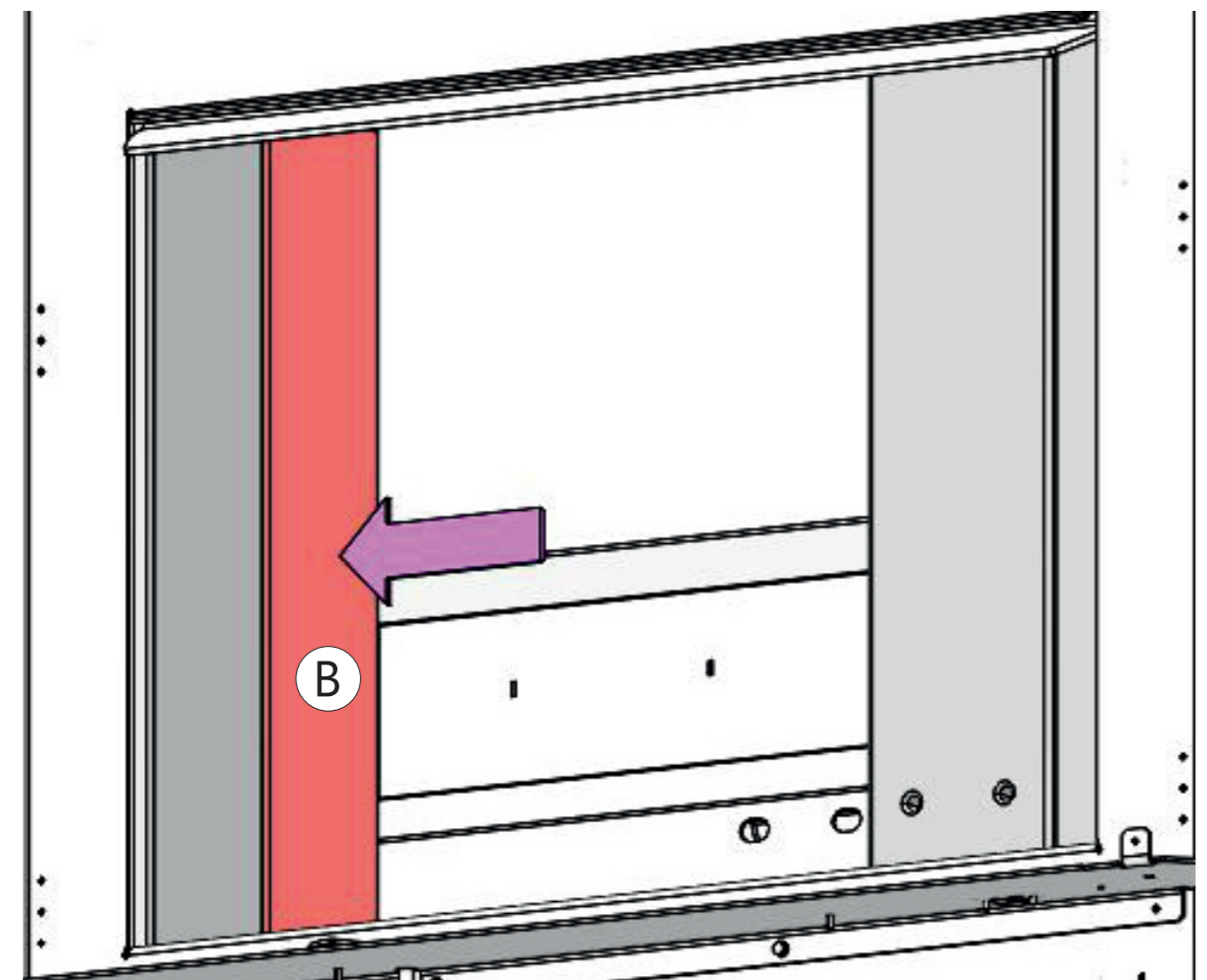
17



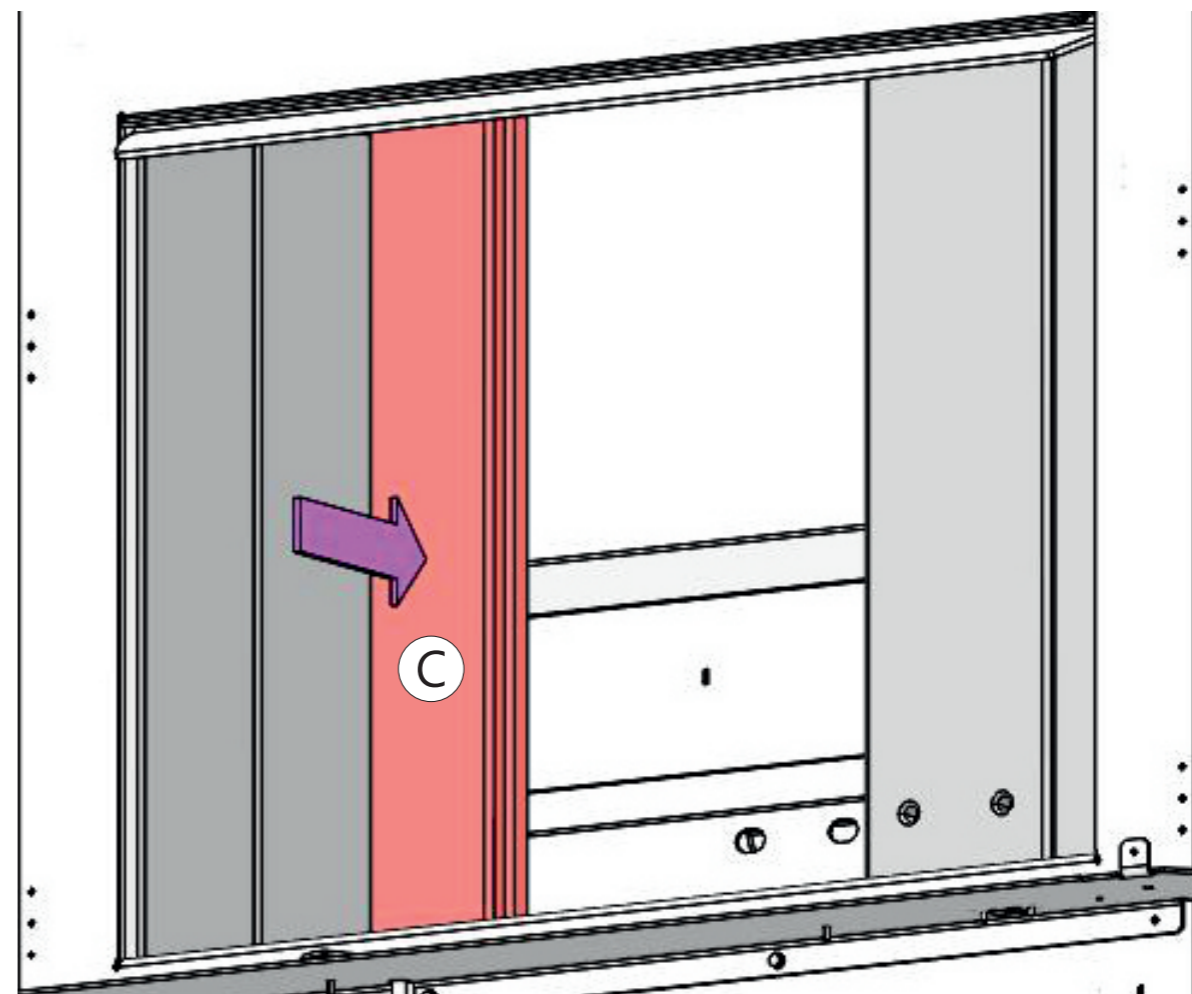
18



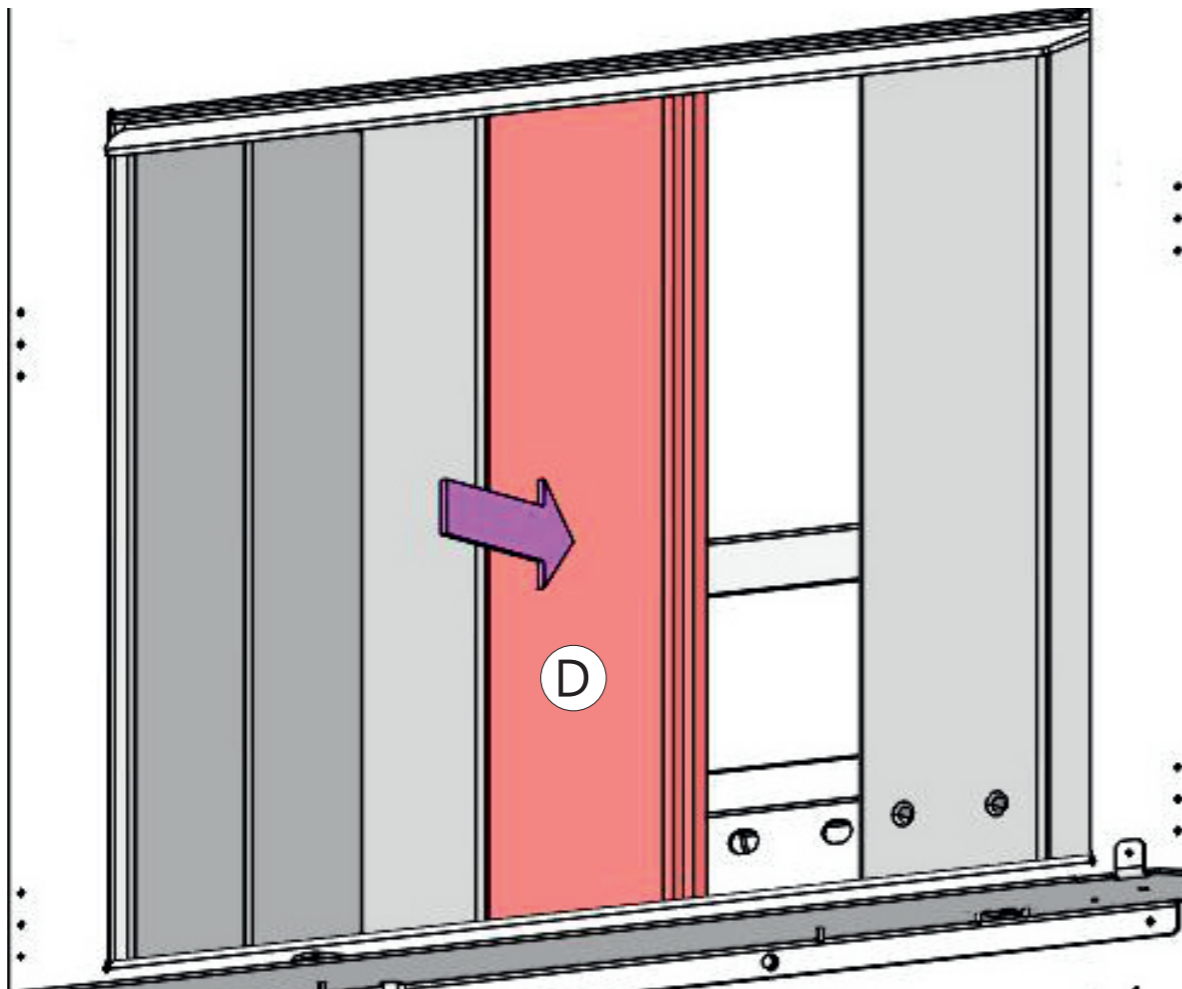
19



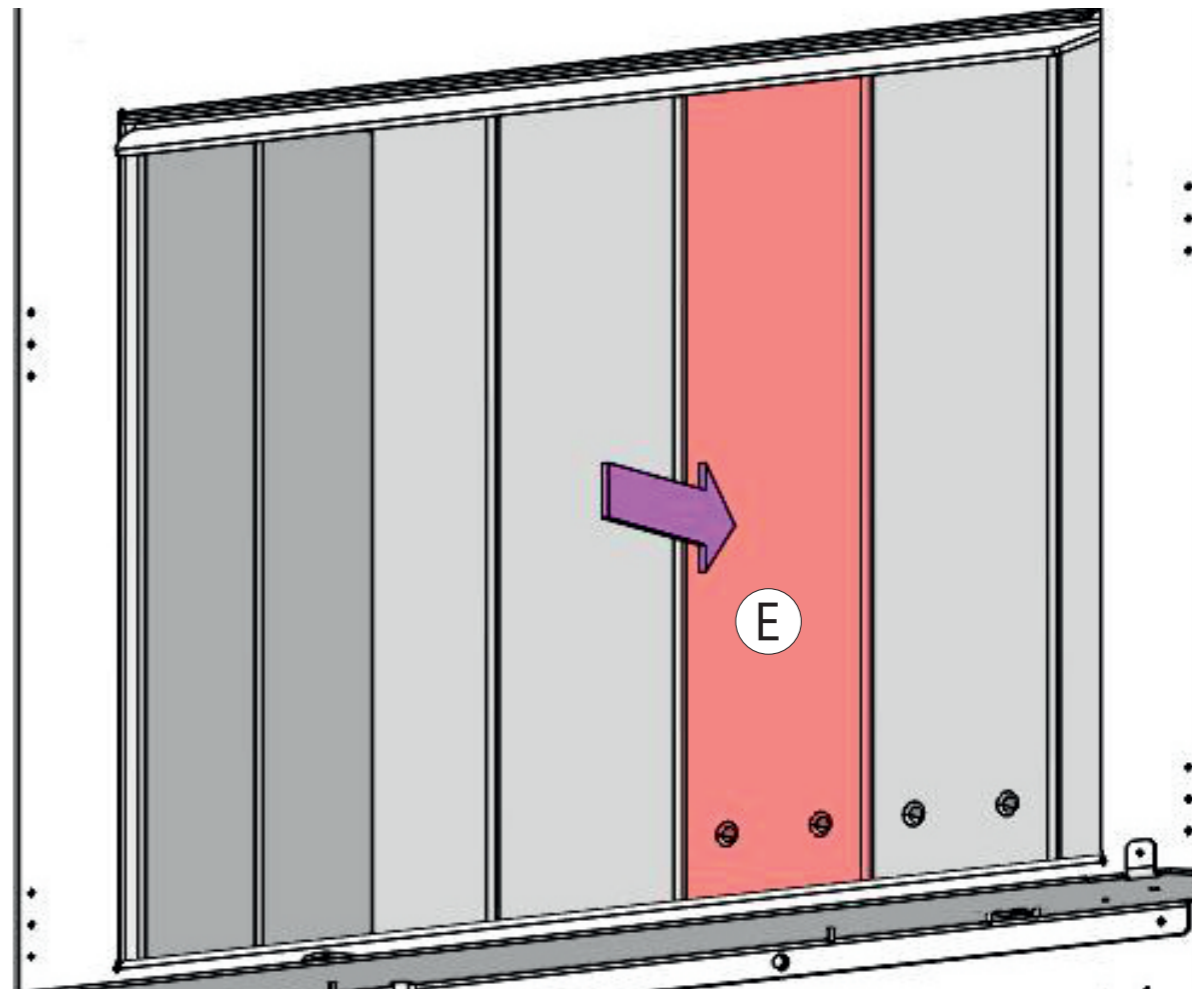
20



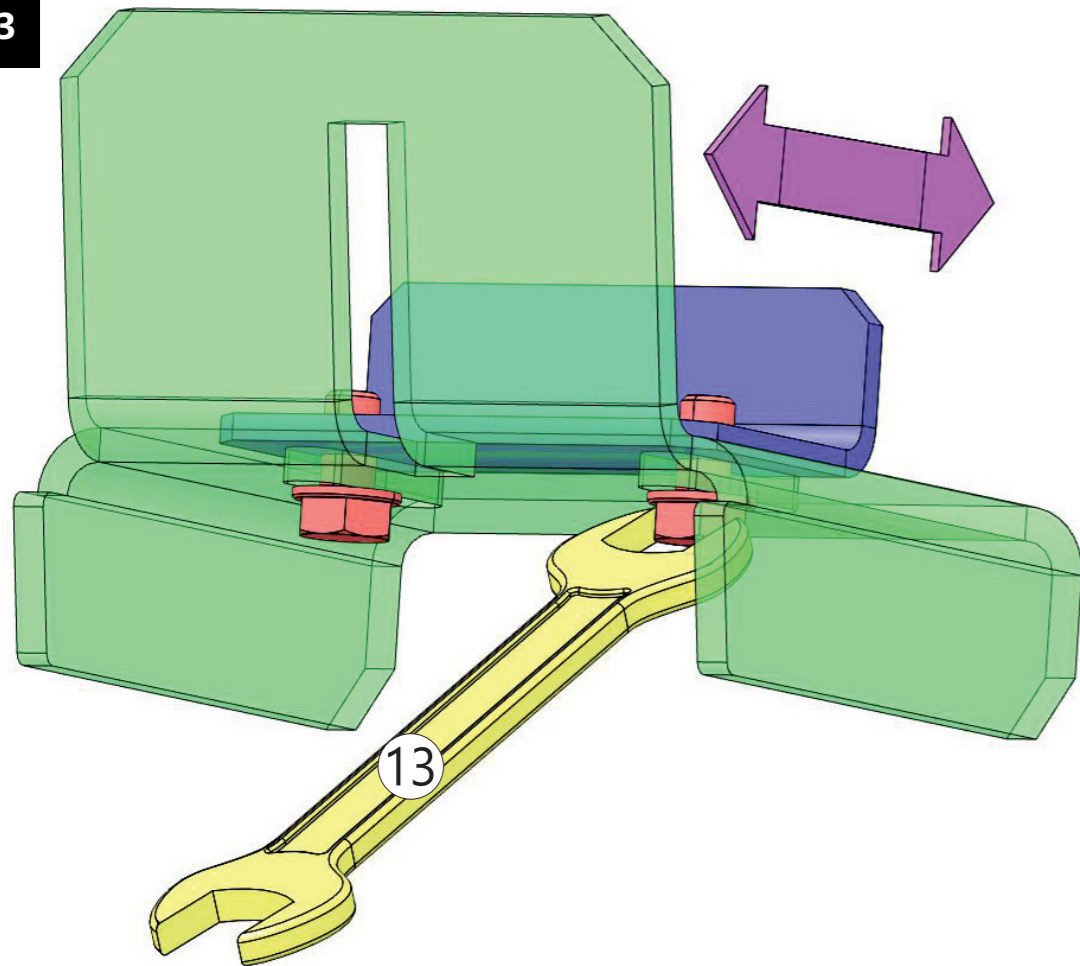
21



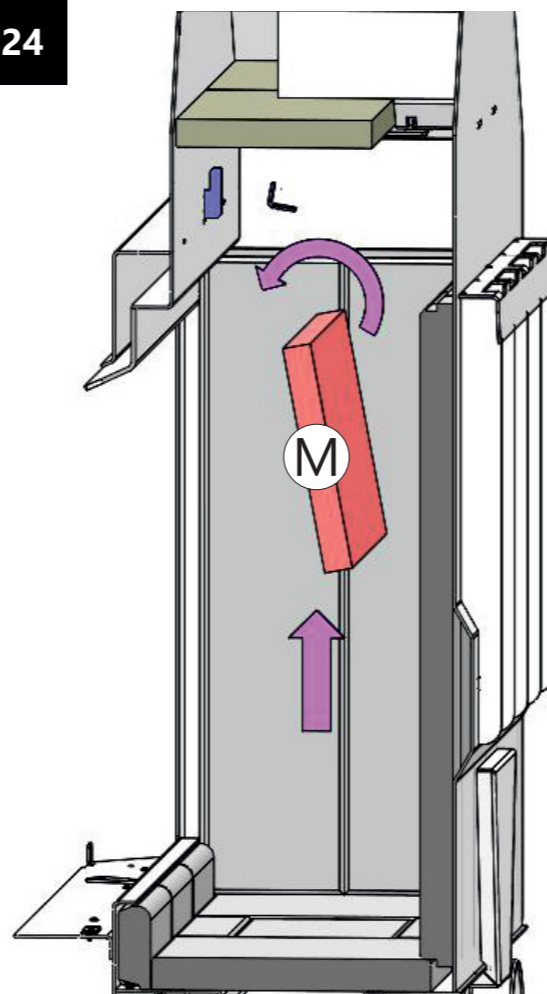
22



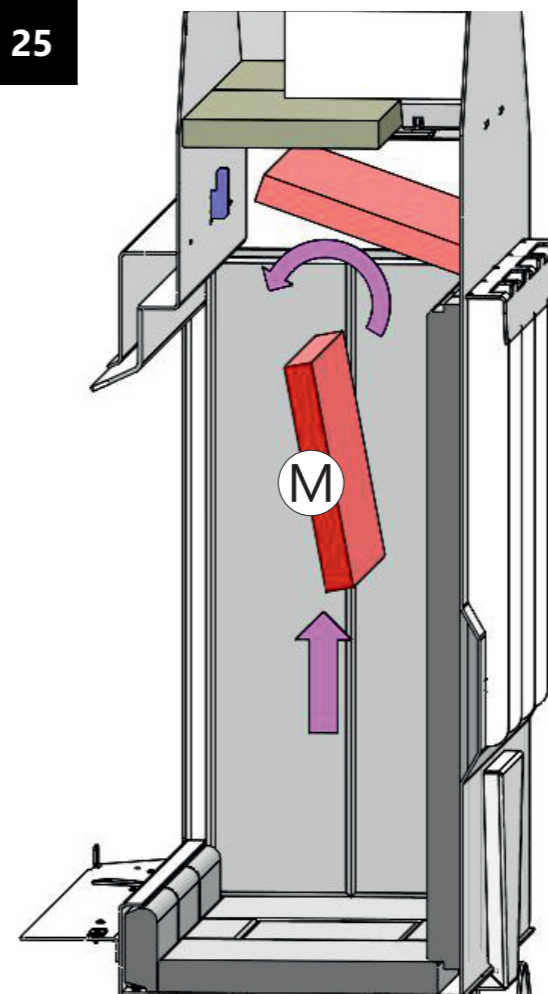
23



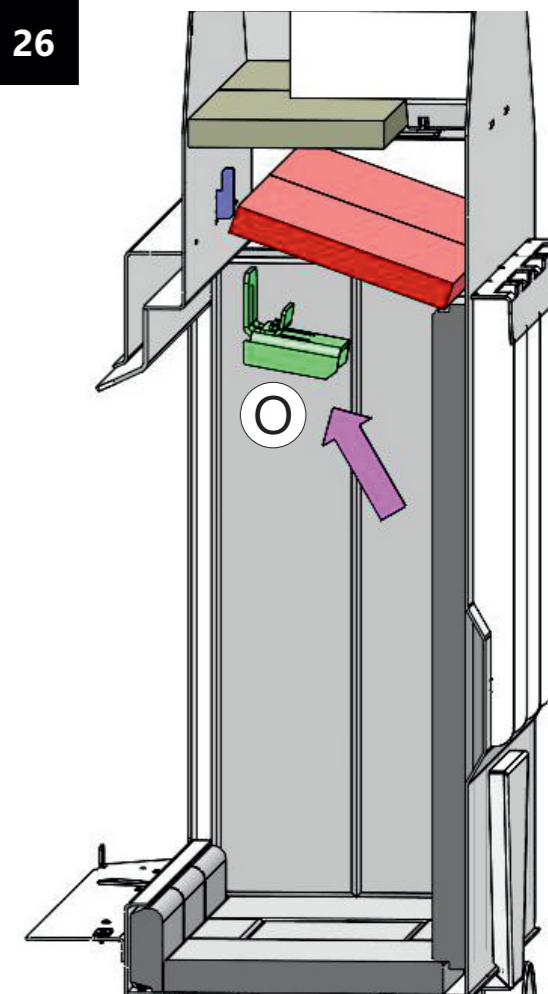
24



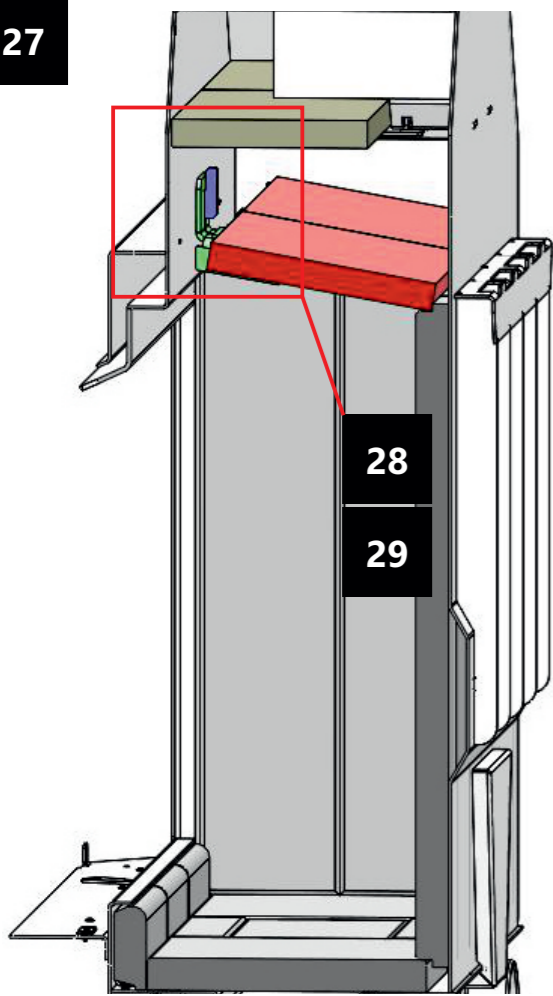
25



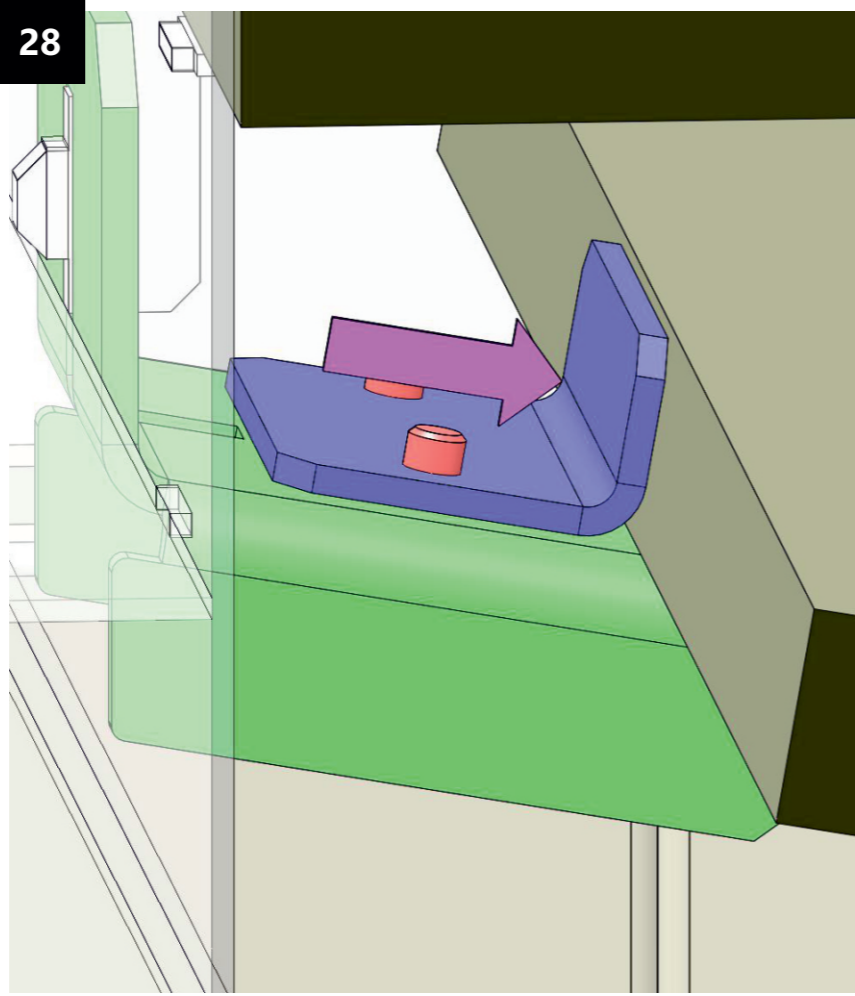
26



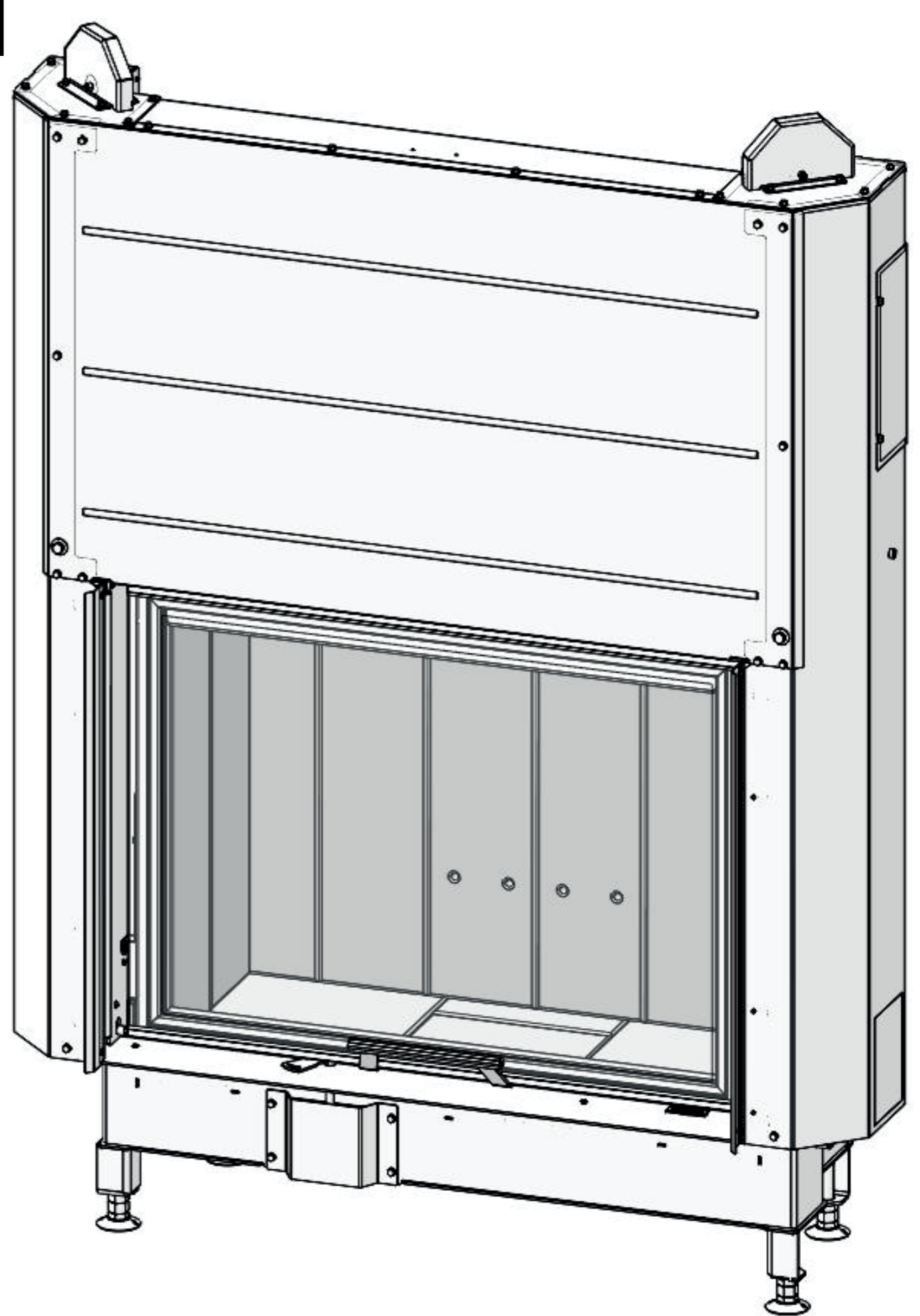
27



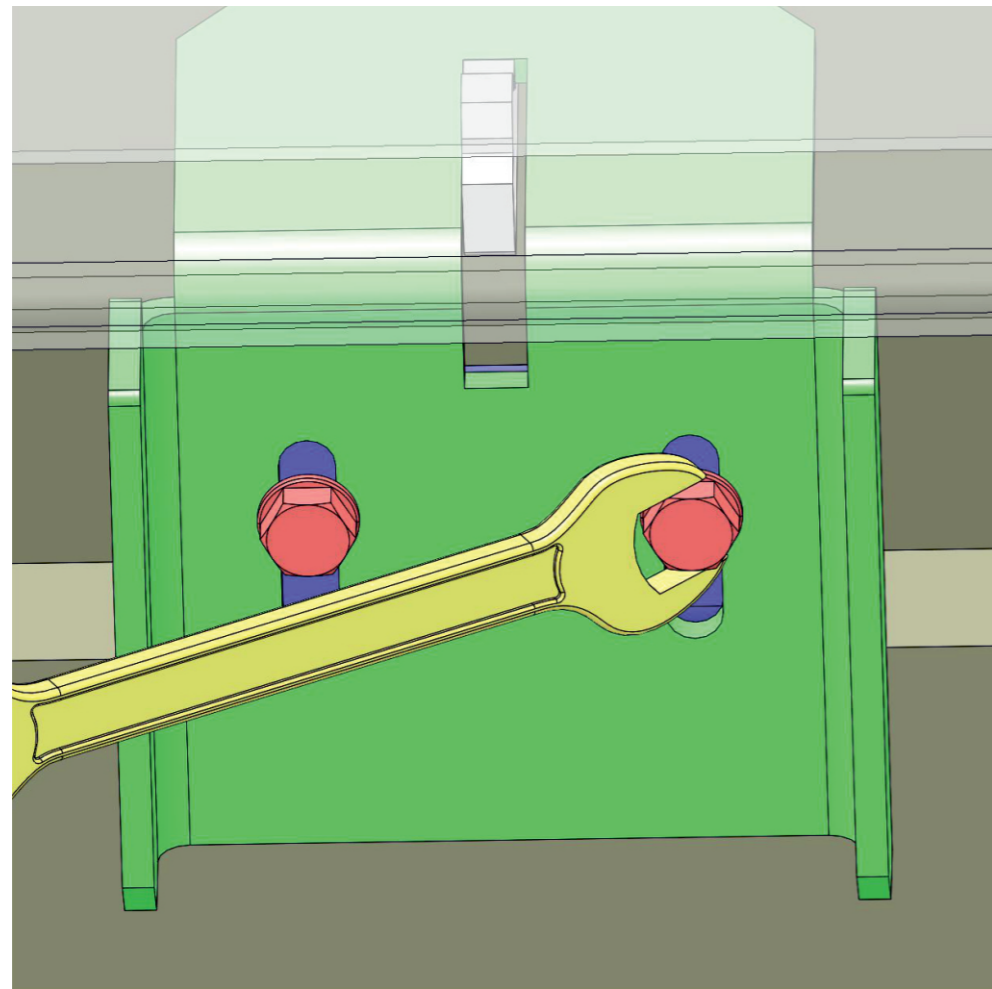
28



30



29



EN General installation and operation manual for Romotop fireplace inserts

- valid in general for all types of fireplace inserts manufactured by Romotop spol. s.r.o.
The attached technical sheet lists detailed technical data for each type of fireplace insert.

Installation of fireplace inserts may only be done by reseller authorized by Romotop spol. s r. o. .

The fireplace inserts may only be operated in accordance with this manual!

No unauthorized changes may be performed on the fireplace inserts!

1. Introduction
2. Technical description
3. Safety regulations
 - 3.1 Safe distances
 - 3.1.1 Safe distance of fireplace inserts from flammable materials
 - 3.1.2 Safe distance of flue pipes from flammable materials and building constructions
 - 3.2 Floor protection
 - 3.3 Chimney fire prevention measures
4. Assembly regulations
 - 4.1 General
 - 4.2 Chimney connection
 - 4.3 Enclosure of fireplace inserts
5. Operation manual
 - 5.1 Fuel
 - 5.2 Starting the fireplace insert for the first time
 - 5.3 Kindling and firing
 - 5.4 Stoking fuel
 - 5.5 Operation during the transition period
 - 5.6 Ash removal
6. Cleaning and maintenance
 - 6.1 Cleaning the glass
 - 6.2 Cleaning the fireplace inserts / disassembly of chamotte
 - 6.3 Cleaning the chimney
7. Disposal of covers and the discarded product
8. Warranty

1. Introduction

Thank you for purchasing our fireplace insert and congratulations for becoming the owners of top-notch fireplace inserts by Romotop spol. s.r.o., one of the forefront European manufacturers of fireplace heaters.

Our fireplace inserts can function as additional heating to augment the atmosphere of your home or recreational building or as the main source of environmentally-friendly heating with high heat output, dust-free operation and perfect combustion. All fireplace heaters produced by our company are tested in accordance with ČSN EN 13 240/2002 or ČSN EN 13 229/2002.

Please read through the manual and technical sheet thoroughly. The user is obliged to get properly acquainted with proper installation and operation of this device with regards to its safe operation. Please keep the manual and technical sheet so that you can brush up all the information necessary for the correct operation of your fireplace insert before each heating season.

We only provide a warranty on our products if all the instructions listed in this operation manual are adhered to.

2. Technical description

Fireplace inserts are intended for building into stoves in various interiors (apartments, recreation buildings, restaurants). Romotop spol. s.r.o. fireplace inserts are manufactured from quality construction materials – cast metal, CORTEN steel and quality construction and fittings steel, with stressed parts made of HARDOX steel. The surface of steel constructions is protected by a refractory opaque paint. Refractory paints are not anti-corrosive. The combustion chamber of full-plate fireplace inserts is padded by removable chamotte desks, which are not connected by any paste material to prevent damage by heat dilatation. The combustion chamber can be firmly closed by doors with special heat-resistant glass. The glass not only increases the aesthetics of the flickering flames, but also facilitates pleasant heat radiation. The glass also prevents the sparks from the burning wood and smoke from entering the room. The floor of the combustion chamber is usually equipped with a removable cast-iron grate. Usually, a barrier, or alternatively a sheet metal or ceramic mould, is placed in front of the grate to prevent the fuel falling and sliding onto the doors (front window). Grate fireplaces include room for an ashpan under the grate. Some types allow custom-configuration of the flue pipe throat for top- or back-side exhaustion. Some types of fireplace inserts have a rotary exhaust flue pipe throat. The fireplace insert design may include a single coating or be supplemented with an external coat of zinc-coated sheet metal with outlets for connection to the heat system. Installation of a support fan is recommended for vertical heat pipes longer than **4m**.

Fireplace inserts equipped with a separate intake of primary and secondary combustion air include the appropriate control elements. The primary air is taken to the burning fuel (usually through the ashpan and grate) and is used for primary combustion. The secondary air supports combustion of residual combustible gases in the exhaust, increasing the output of the heater and significantly reduces the amount of pollutants escaping into the atmosphere. The secondary air is mostly taken to the area above the burning fuel. Its presence causes the cold air to roll around the inner side of the front glass. This process simultaneously prevents the blackening of the front glass. The secondary air also participates in the primary combustion process when the primary air intake is partially or completely sealed. Keep the primary air intake fully open at the beginning of the combustion process, when the chimney draft is still weak. After the chimney heats up, you can partially or even completely close the primary air intake, based on the target output of the fireplace insert. It is also possible to reduce the fueling or limit the chimney draft by attaching a smoke shutter (a manual shutter in the flue pipe limiting the air intake to at most **75%**) to reduce the output of the fireplace insert. This is recommended especially for chimney draft around and above **20Pa**. The secondary damper is intended to fully close the stove when it is not in operation. The fireplace and ashpan covers must always be closed except for starting operation, adding fuel and removing solid combustion remnants to prevent exhausts entering the room.

It is possible to install heat and accumulation exchangers behind certain fireplace inserts, increasing the efficiency of the whole stove and maximally utilizing fuel energy. Heat exchangers can be built into certain types of fireplace inserts, in which case the production of warm service water also utilizes the double external cover of the fireplace insert.

Some fireplace inserts are manufactured with a external air intake (**EAI**). This allows air to flow into the combustion chamber in the fireplace insert from the exterior*, halls, technical rooms etc. Fireplace inserts with a **EAI** are not dependant on the amount of air in the heated area. Thus, they not only contribute to a pleasant atmosphere in your home, but also reduce energy expenses (since heated air already in the room is not

consumed). When installing the External air intake (EAI) outlet to the wall, it is important to make sure that the pipe runs at a negative angle 3° from the product. EAI lines must be isolated.

Fireplace inserts with a **EAI** are very convenient for stoves in low-energy houses. It is also possible to equip the heating system of some fireplace inserts with **EAI** with electronic combustion regulation to increase comfort. This can additionally increase the combustion process and stoking intervals, increase operation safety and prevent uneconomic heating and over-heating of fireplace inserts (the shutter of the central air intake is controlled by a control unit and servomotor in relation to the current combustion phase and output exhaust temperature).

Warning: The fireplace inserts are not manufactured to provide continual heating and are intended for periodic interrupted operation, mostly due to the need to empty the ashpan when the ash has cooled down.

**When connecting to an external air intake (from the outside), it is recommended to install double-acting flap with a silicone cuff with possibility of closing air intake. This will prevent corrosion due to moisture condensation when the product is not in use. The warranty does not cover damage caused by corrosion!*

Attention, care must be taken to ensure that the damper is always open when the product is in operation!

3. Safety regulations

The fireplace inserts may be used in normal environments in accordance with **ČSN 33 2000-1 ed.2/2009**. In case of change of environment that could cause a temporary danger of fire or explosion (e.g. gluing linoleum, PVC, working with paints, etc), the fireplace insert must be put out of operation in time, i.e. before the occurrence of the dangerous situation. Furthermore, the fireplace inserts can be used only after the room is thoroughly aired, preferably by wind draft.

A supply of sufficient amount of combustion air and room ventilation air must be ensured when the fireplace stoves are in operation, especially with another heat device running simultaneously (approx. **8 to 15 m³** for burning 1 kg of fuel)! When doors and windows are tightly sealed, this might not be the case! This is solved by a **CAI** connected into a separate room. The regulation grate for combustion, ventilation and heating air must not be obstructed. When stoking fuel, always open the door very slowly. You will prevent smoke and ash from escaping into the room. The fireplace inserts require casual attendance and inspection.

Flammable fuels must not be used for stoking or heating! In addition, burning plastic material of any kind, wood materials with various chemical bonding agents (chipboards, etc) or unsorted domestic waste with remaining plastics is prohibited by **law no. 201/20212**.

Make sure to prevent children from handling the fireplace insert during heating. The fireplace insert may only be operated by an adult person!

During heating all handles and knobs must be operated using a pair of tongs, hook or by a hand protected by a glove (pot-holder) - there's a danger of burns! Objects made from flammable materials that could be set on fire must not be stored on the fireplace inserts during operation and while hot. Please pay special attention when handling the ashpan and when removing hot ash due to danger of burns! The hot ash must not get in contact with flammable objects - e.g. when throwing in communal waste containers.

When the fireplace insert is used only seasonally and with unfavorable draft or weather conditions, special attention must be paid when putting the stove into operation. When the fireplace stove is not in operation for a longer period of time, the flue ways must be checked for obstructions before further operation.

The appropriate safety regulations for fireplace insert operation and installation must be adhered to in accordance with ČSN 06 1008/1997, especially:

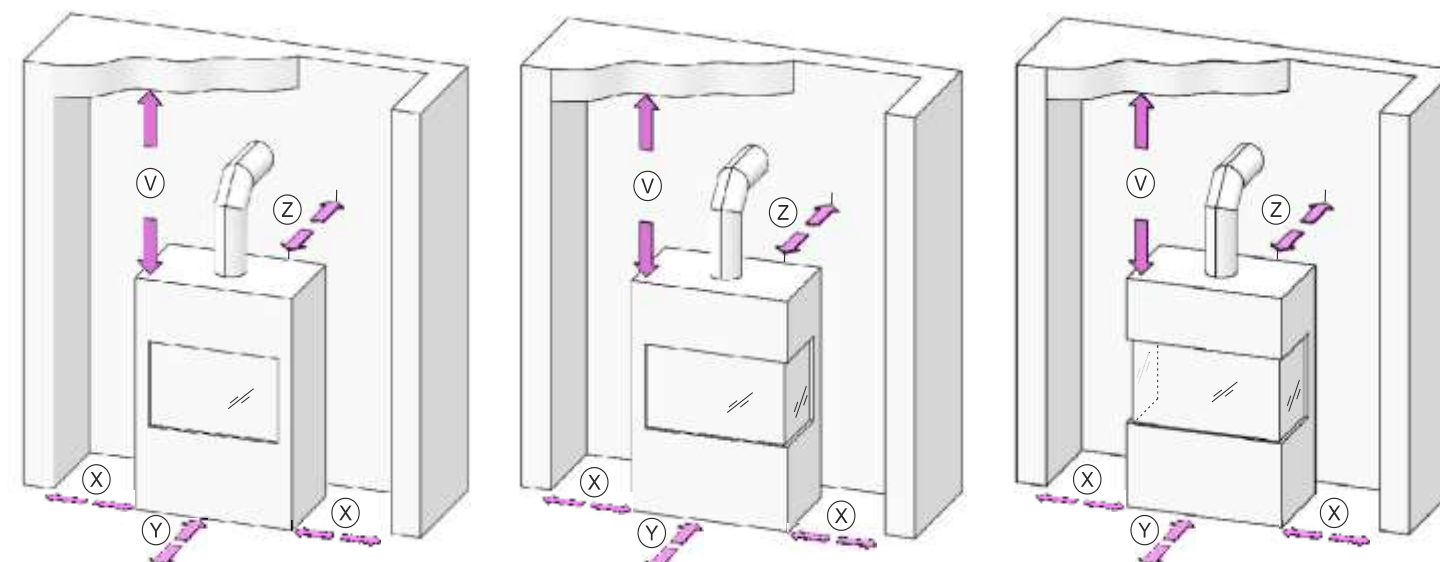
3.1 Safe distance:

3.1.1 Safe distance of fireplace inserts from flammable materials

When installing the fireplace insert in a place containing flammable materials belonging to class **B, C** and **D**, the required safe distance in accordance with **ČSN 06 1008/1997** is **80cm** from doors and **40cm** in other directions (see Figure 1), for fireplace inserts with double coating this amounts to **20cm**. When installing the insert in a place containing flammable materials belonging to class **E** or **F**, the distance must be doubled. Information on the degree of flammability of certain building materials is listed in **ČSN EN 13 501-1+A1/2010** and **ČSN 73 0810/2016**. When the prescribed safe distance of the heater from the flammable materials cannot be kept, it is necessary to use a protective screen according to **4.4.1 ČSN 06 1008/1997**.

Building materials sorted based on their reactivity with fire	
A1 or A2	granite, sandstone, concrete, bricks, ceramic tiles, special plasters ...
B	akumin, Heraklith, Lignos, Itaver ...
C	hardwood, plywood, Sirkolit, hardened paper, umakart ...
D	softwood, chipboards, Solodur, cork boards, rubber, flooring ...
E or F	fibreboards, polysterene, polyurethane ...

Distance from flammable materials. Table Technical sheet



3.1.2 Safe distance of chimneys from flammable materials and building constructions

The safe distance from door case covers and similarly located building constructions from flammable materials and from pipeline installation including its insulation is at least **20cm**. The safe distance from other flammable parts of the building construction at least **40cm** (see fig.2) according to **ČSN 06 1008/1997**. This includes building materials belonging to classes **B, C** and **D** as defined in **ČSN EN 13501-1+A1/2010** (see table no.1) The same applies for walls and especially ceilings with plaster on a flammable surface, e.g. crates, planks, etc.! When the prescribed safe distances cannot be kept, the danger of fire must be prevented through construction solutions, non-flammable applications, heat-resistant insulations or protection screens.

3.2 Floor protection

Unless the fireplace is installed on a **100%** non-flammable floor, it is necessary to place it on a non-flammable insulation mat, e.g. metal plate (at least 2mm thick), ceramics, hardened glass, stone, in order to prevent the flammable floor to exceed a temperature of **50°C** during operation in accordance with **ČSN 73 4230/2014**.

According to 5.1.3.3 of **ČSN 06 1008/1997**, the insulation mat must exceed the fireplace by at least

- **80cm** in the vertical direction from the insert stoking door.
- **40cm** in the horizontal direction from the insert stoking door.

Items made of flammable materials may not be placed on top of or at a less-than-safe distance from the fireplace insert.

3.3 Chimney fire prevention measures:

Ordinary operation, especially with humid fuel, leads to the settling of ash and tar in the chimney. Neglecting regular checking and cleaning of the chimney **in accordance with the government regulation no. 34/2016 Coll. from 22st January 2016** increases the danger of fire.

In case of ash or tar catching fire in the chimney, please follow this procedure:

- do not under any circumstances extinguish the fire with water as it would create an abnormal amount of steam and subsequently rip the chimney open
- if possible, the combustion chamber should be covered with dry sand, which will extinguish the fire
- close all intakes of air for combustion; if possible, cover the chimney. However, the smoke must not accumulate back in the house
- contact your nearest fire fighting brigade to assess the situation and the necessity to report it as a fire fighting emergency
- do not leave the house until the chimney is burned up; regularly check the chimney temperature and the course of combustion
- contact a chimney service before starting a new fire in the stove to assess the state of the chimney and also contact the manufacturer of the fireplace insert for inspection.

4. Assembly regulations

Warning: All local regulations, including regulations concerning national and European standards for this type of appliances, must be adhered to:

- ČSN 73 4230/2014 - Fireplaces with open and closable furnace
- ČSN EN 13229/2002+A1/2003+A2/2005 - Built-in heating appliances and open fire inserts for solid fuel
- ČSN EN 13240/2002+A2/2005 - Room heaters fired by solid fuel
- ČSN 73 4201/2016 ed.2 - Chimneys and connecting flue pipes - Design, construction and installation of heating appliances
- ČSN EN 1443/2004 - Chimneys – General requirements
- ČSN EN 13501-1+A1/2010 - Fire classification of construction products and building elements
- ČSN 06 1008/1997 - Fire protection of heating appliances
- Decree No. 268/2011 Coll. - Technical conditions of fire protection of buildings

4.1 General

The fireplace insert must be installed on the appropriate stand supplied by the manufacturer or on a brick pedestal on floors with an appropriate load capacity. In case of fireplace inserts with an enclosure, it is necessary to also consider the weight of the enclosure! If the existing arrangement does not meet this basic requirement, necessary steps must be taken (e.g. using a mat for distributing the load). Make sure that there is enough space for cleaning the fireplace insert, connecting flue pipes and the chimney unless the chimney can be cleaned from other place, e.g. a roof or through doors designed for this purpose.

4.2 Chimney connection

Before assembling the closed fireplace insert it is necessary to calculate that the chimney construction will be suitable for the installed fireplace insert nominal output as far as design, vent size and effective height are concerned.

A suitable chimney (minimum profile, chimney draft, tightness, etc.) is a basic condition for the proper functioning of the fireplace inserts. You should therefore contact a chimney sweeper before installing the

fireplace insert. Chimney values are included in the attached technical sheet. A smoke shutter or a draft regulator should be installed for chimneys with too strong a draft. Such a draft can cause problems during operation, e.g. intensive burning, high fuel consumption and can also lead to permanent damage of the fireplace insert.

The minimum effective height of the chimney for exhaust gas from the insert is **5m** (measured from the hoop to the chimney mouth). The chimney entry must be equipped with a chimney hoop. Consult the vent connection with the vent manufacturer. The vents must lead at least **5cm** below the lower ceiling. Connect the flue mouth with the chimney in the shortest possible way so that the flue length is at most **1/4** of the effective height of the chimney (i.e. **1.5m**). Connect the flue tube and the knee together with an overlap in such a way that the connections always agree with the exhaust gas flow, or abut using the connection rings. If the connecting piece passes through construction elements with flammable materials, it is necessary to use protective measures in accordance with **ČSN 06 1008/1997**. The norm states that the flue pipe needs to rise to the vents in the direction of exhaust flow with a degree of at least **3°**. The tightness and firmness of the joints is crucial. The chimney and stove connection must adhere to **ČSN 73 4201/2016 ed.2**. The casing of the chimney must not exceed a temperature of **52°C** during the highest operation temperature of the stove. The cross section of the flue pipe vents must not be larger than the cross section of the chimney vent and it must not narrow down in the direction of the chimney. If calculations show that the cross section of the flue pipe and chimney vent could be smaller than the cross section of the exhaust throat of the fireplace insert, the cross section of the flue pipes will be lowered immediately behind the exhaust throat of the fireplace insert, either gradually or at a discrete point. The flexible flue pipe from the materials in accordance with table **A.1.** may only be used in places where it may be checked in accordance with **7.2.1 ČSN 73 4201/2016 ed.2**, and unless the flue pipe leads through an open air its checkability must be ensured in accordance with **7.2.5 ČSN 73 4230/2014**. A vertical flue pipe may only be used in the cases listed in **8.3.4 and 8.3.5 ČSN 73 4230/2014**.

The fireplace insert may be connected to a shared vent with a gas appliance for multi-layer chimneys in accordance with **ČSN 73 4201/2016 ed.2**.

Leakage of water into the product when using a vertical flue with a chimney function is not a reason for a complaint!

4.3 Enclosure of fireplace inserts

Special expertise is required for building the fireplace insert into the fireplace. Fireplace construction is adjusted by norm **ČSN 73 4230/2014**. **Installation of fireplace inserts may only be done by reseller authorized by Romotop spol. s r. o..**

When installing and installing a fireplace insert, follow these guidelines:

1. All security and construction regulations listed above must be followed.
2. After installing the whole fireplace, the inlet and outlet of conventional air through any construction parts must not be limited. The cross section of the inlet and outlet of convect air is listed in the technical sheet.
3. To augment the final appearance of the fireplace, the dimensions of the door frames exactly match the ceramic facing produced by Romotop spol. s.r.o.
4. The enclosure must be made of suitable, designated materials.
5. The warm conventional air outlet must be at least **30cm** below the ceiling (figure 2).
6. An inflammable ceiling construction must be present above the conventional warm air outlet. Its temperature must not exceed **50°C**. Thus, the lower ceiling must be insulated from the effects of heat coming from the fireplace by a barrier and at least one not fully closeable grated opening (figure 2) or a sufficient layer of heat insulation.
7. The same requirements also hold for the walls next to the fireplace and for the floor. A ventilated air space must remain between the heat insulation and the wall. It is recommended to glue aluminum sheets on the surface of walls.
8. The wall of the fireplace must not contain electric wiring and water or gas distribution pipes. The wall nor its surface may contain flammable materials or materials which may release harmful substances when heated.
9. Minimal free distances must be kept between the fireplace insert and the cover (see technical sheet) for the whole height and width of the fireplace insert, so that convect air can freely circulate and prevent the

overheating of the fireplace set.

10. Eventual air conditioning piping must be located at least **40 cm** from flammable building constructions, or it must be documented that the heat from the piping cannot cause the construction to catch on fire. Convect air can reach temperatures of up to **300°C** near the insert!

11. **Do not forget** that fireplace inserts also spread heat in the direction of the floor. The floor under the fireplace and at a distance of at least 80cm in front of the furnace and 40cm to the sides of the furnace must be made of an inflammable material. The distance is measured from the closer edge of the furnace. The surface for the fireplace must have an appropriate load capacity.

12. **Do not forget** that when considering the use of wooden decorative ledges, these must be made of quality wood with a humidity of at most 15% and that convect cooling air must flow around it with a gap of at least **1cm** or they must be heat-insulated from the fireplace, so that their surface temperature does not exceed **52°C**.

13. When distributing hot air via natural air circulation, it is recommended to use horizontal pipes at most 4m long. When distributing hot air via forced air circulation, the length of pipes is not limited.

14. The pipes for distributing hot air must be tight and made of a material resistant to operating temperatures. We recommend insulating them at the whole length, especially where they traverse walls, ceilings or around flammable materials.

15. Hot air outlets must not be located at areas with materials susceptible to structural changes caused by temperature fluctuations (e.g. polyester lining, certain types of wallpapers etc.)

16. No construction changes or adjustments may be performed on the fireplace insert!!!

All local regulations, including regulations concerning national and European standards. Have a specialized project elaborated before construction.

The project documentation must be elaborated in a scale of **1:10** or **1:20**. Before the fireplace enters operation, it must be inspected by a chimney sweeper and the exhaust path must be inspected in accordance with **Chapter 9 of ČSN 73 4201/2016 ed.2**. Inspection of the flue pipe connection to the insert and chimney vents should be performed before closing the exhaust path to the hot air chamber. The result of the inspection shall be recorded in the exhaust gas inspection report including the technical report according to Decree No. 34/2016 Coll. **Please keep the Revision Report and the Technical Report carefully!**

Vertical cross section of single-coating fireplace with closable furnace

- 01 – chimney vent
- 02 – wall
- 03 – insulation area above the chamber
- 04 – hot air chamber ceiling
- 05 – ventilated air gap
- 06 – heat insulating layer
- 07 – hot air chamber area
- 08 – fireplace insert flue pipe
- 09 – fireplace insert smoke chamber
- 10 – closed fireplace furnace
- 11 – air intake from other rooms (or CAI)
- 12 – ventilation of ceiling insulation areas
- 13 – hot air outlet from the chamber
- 14 – heat insulating layer
- 15 - wall of hot air chamber
- 16 – fireplace ledge
- 17 – fireplace ledge protection
- 18 – air intake for hot air chamber
- 19 – air intake from the room to under the fireplace insert
- 20 – inflammable floor (pad) in front of the fireplace
- 21 – CAI throat

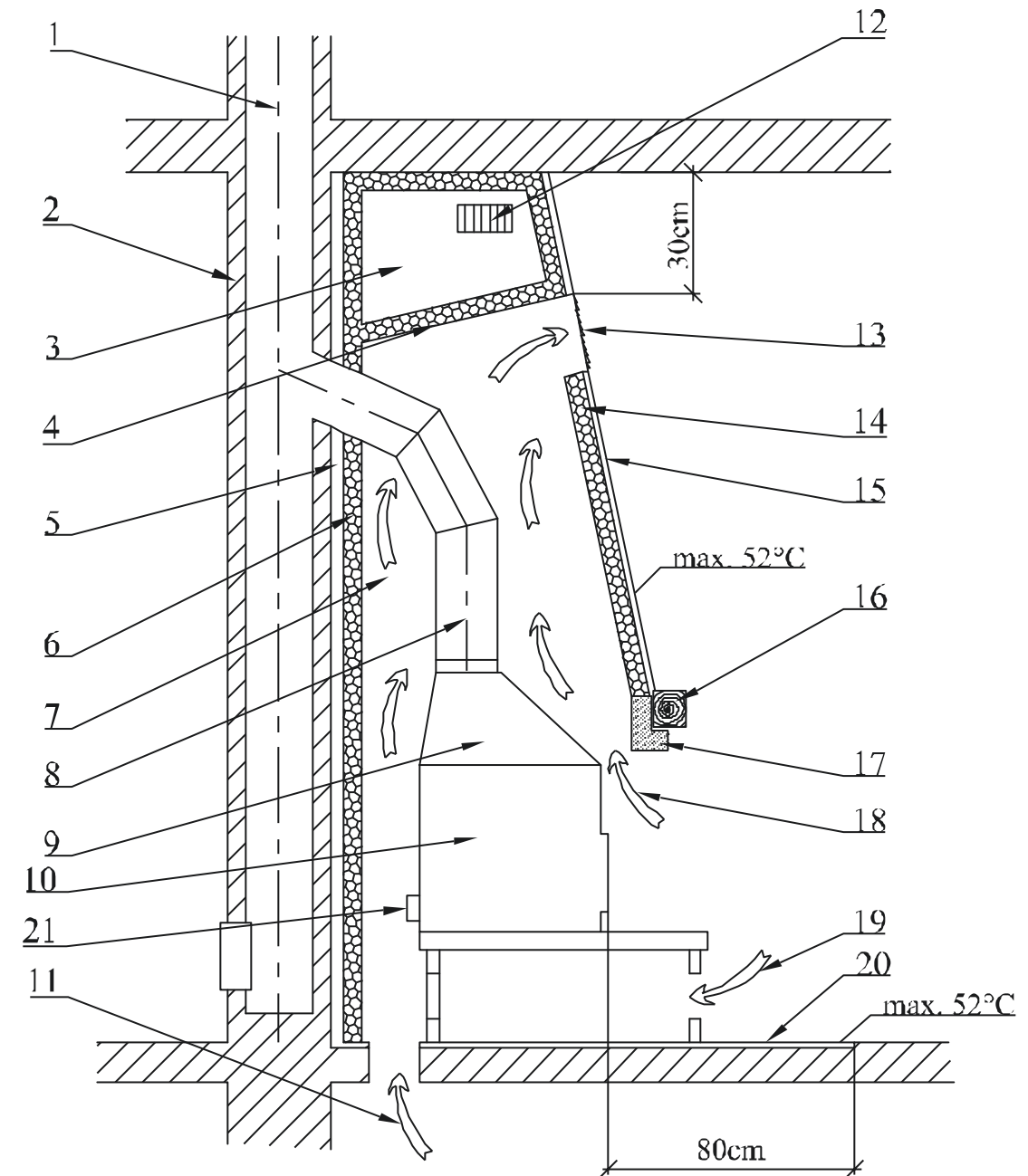


Figure 2

A chart of the fireplace set holds in general also for double-coating fireplace inserts and fireplace inserts with a heat-accumulating and warm water exchanger.

5. Operation manual

5.1 Fuel

It is only allowed to burn wood in fireplace inserts in accordance with law **No. 201/2012 Coll.**. To reach the nominal parameters of the heater, we recommend using dry logs with a diameter of **5-8 cm** and length of **20-30 cm** and with a humidity below **20%** (ideally **10%**). Oven wood and chopped pieces of wood should be used only when starting the fire. Recommended humidity can be obtained by storing the chopped logs for at least two years in a ventilated shelter.

The fireplace insert should be heated to a nominal output stated in the technical sheet, i.e. the burning of a given amount of allowed fuel per **1 hour**. Long-term excessive output could damage the fireplace stove.

Never use flammable fluids, coke, coal or any of the following types of waste as fuel: chipboards, plastics, plastic bags, soaked wood or wood-shavings, saw-dust or pellets!

!!!Burning of the abovementioned material not only highly pollutes our environment but also damages the fireplace insert and the chimney!!!

5.2 Starting the fireplace insert for the first time

Before the first use all remaining stickers must be removed, all accessories must be taken out of the ashpan or fireplace and the same applies for the transport safety pins. **All plastic cover plugs on threaded connections are not functional, they are only used for transport.** Check that bulk shutters for directing the draft, chamotte tiles and the barrier are set correctly (as they might have slipped from their correct positions during transport or installation). Repair any defects you might find in setting, otherwise the proper functioning of the heater is endangered. After setting the fireplace insert, connecting it to the chimney and, if need be, connecting the exchanger to the warm-water set and filling it with a heat-carrying medium, start heating slowly and continue for at least two hour. Leave the stoves and ashpan doors open (**approx 10-20mm**) before and during the first heating in order to prevent the sealing material to mix with the paint. The fireplace insert surface is covered with heat-resistant paint. During the first heating, after becoming temporarily soft, the paint will eventually become hardened. During the soft phase the paint surface is more vulnerable to being damaged by a hand or other object. During the first heating the fireplace insert should be "heated up" with a small flame, burning only a small amount of fuel with a lower temperature. **The entire process of first putting the product into operation is done with the maximum opening of the air supply. Therefore, the first two loadings of fuel should correspond to the bottom limit of the recommended fuel batch (see table "TECHNICAL SHEET").** All materials must get used to the heat load. You will prevent cracks in chamotte bricks, damage of the paint or deformation of the insert materials by a careful first heating. **Following loadings of fuel should then correspond to the maximum allowed fuel batch (see table "TECHNICAL SHEET") for about 5 to 6 hours. Thanks to these high temperatures (maximum performance), the paint is reinforced.** Hardening of the paint on the fireplace insert might be accompanied by a temporary smell, which will disappear after a while.

Make sure the room is properly aired when burning the paint. Furthermore, ensure that no small animals or birds are present in the room containing paint exhausts. We also recommend turning off aquariums air intakes during the first heating.

In general, the heating up and cooling of the fireplace insert is accompanied by a specific sound; this is intended.

After the fireplace insert and eventually the exchanger cools down, it is possible to begin assembling the outer coating of the insert.

5.3 Kindling and firing

1. Fireplace inserts with grate - first put crumpled paper into the chamber and then lay chopped wood on it. You can also used the solid fire-starter to start the fire. After starting fire, let it burn freely with all air regulation elements open. **It is forbidden to use flammable liquid (oil, petroleum, etc.) for starting fire!** After the fire begins to burn and the draft is strong enough, bigger logs might be added without the danger of smoke. Continue stoking the amount of fuel determined based on the nominal output of the fireplace insert.

2. Fireplace inserts without grate - only secondary air is used for burning; therefore wood logs need to be stoked first, then chopped wood and finally small cuttings and paper. After starting fire, let it burn freely with all air regulation elements open. **It is forbidden to use flammable liquid (oil, petroleum, etc.) for starting fire!** After the fire begins to burn and the draft is strong enough, bigger logs might be added without the danger of smoke. Continue stoking the maximum amount of fuel determined based on the nominal output of the fireplace insert.

Fuel consumption is always stated in the technical sheet. Burning intensity is regulated by air intake controls or, if a smoke shutter is installed, by limiting the draft in the chimney. Larger amount of fuel or a strong draft and air take might cause overheating and damage of the fireplace insert. Too weak draft leads to glass blackening or to a smoke escaping into the room when opening the door and stoking fuel.

Warning: Fireplace doors must always be closed, with the exception of the first heating, stoking fuel and removing ash. When the fireplace insert is not in operation for a longer period of time, it is necessary to check that the flue pipes, chimney and combustion chamber are clear.

5.4 Stoking fuel

In order to prevent smoke escaping into the room when stoking fuel, please follow the following procedure: Approximately 5 or 10 seconds before opening the fireplace doors open the air intake regulators and then only slightly open the stoking doors, wait for few seconds for the exhaust gas to get sucked into the chimney and only then fully open the door. When opening the stoking door, a special attention must be paid to the danger of hot fire-brands falling out. After stocking fuel, close the door again. After the fuel starts burning (with clear fire), return the regulator back to its original position. The amount of stoked fuel should correspond to an hourly consumption value for the concrete fireplace insert (see the technical sheet). Overheating can permanently damage the fireplace insert construction.

Warning: To prevent exhaust gas escaping into the room during stoking add fuel after its burning down on the glowing base.

5.5 Operation during the transition period

The chimney draft (sucking exhaust gas from the fireplace insert) might be weaker during the transition period, i.e. when the outside temperature is higher than 15°C, during rainy and humid days or during gust airs. During this period the fireplace insert should be operated with the minimum possible fuel so that the fire, as well as the chimney draft could be improved by opening the air intakes.

Tip: During this period a so-called atmospheric plug can be created in the chimney mouth due to the draft conditions. The plug can caused smoke escaping into the room when lighting fuel. We recommend letting a piece of paper burn down preferably in the upper part of the combustion chamber before lighting the kindling. This seemingly negligible smoke is enough to break through the atmospheric plug. Afterwards you can freely light paper (or solid fire-starter) and be sure that even a humid chimney is clear.

In this period it is also possible to use the same lighting method as for the fireplace inserts without grate (with no ashpan).

5.6 Ash removal

Make sure that the ashpan is cleaned when being half full in order to prevent the ash reaching too close to the grate and thus damaging it. At the same time the ash would block the intake of air required for burning. Removing ash from the ashpan should be carried out when the fireplace stove is cold and preferably ready for the next heating. A vacuum cleaner designed for cleaning ash with a filter for small filth can be also used for cleaning the cold ashpans or heater without ashpans. Ash from burnt wood can be used for composts or fertilizing. Store the ash in closed non-flammable containers.

Warning: Make sure that the ash does not contain any glowing remains of wood that could cause fire in the waste container.

Warning: For some fireplace insert types the ashpan is located in a basin under the grate and cannot be removed from the side. The ashpan can be removed only when the heater is cold and not in operation. The ashpan is accessible after lifting the grate.

Be careful when removing hot ash!

6. Cleaning and maintenance

Your fireplace insert is a high-quality product and no significant defects will appear during normal operation. Fireplace insert and flue system need to be checked and cleaned regularly and thoroughly before and after the heating season.

For cleaning and maintenance work you always have to make sure that the stove is not warm!

The surface of the fireplace stove is protected by flame-retardant coating. The flame-retardant coating is not anticorrosive. Avoid direct contact with water, other cleaning agents, abrasives or solvents.

Clean the surfaces of the fireplace stove with a soft, dry cloth!

6.1 Cleaning the glass

The cleanliness of the window is influenced not only by the using of suitable fuel, providing sufficient air intake and chimney draft but also by the method of operating the fireplace insert. In this respect we recommend stoking only one layer of fuel and distributing the fuel as evenly as possible and as far from the glass as possible. If the glass becomes dirty, try increasing the burning intensity by opening the air intake and the glass will clean itself.

Sooty windows can be cleaned in cold state using newspapers or wet cloth dipped in wood ash. Usually also liquid cleaning agents are used for cleaning the stove window. But these may in some cases, depending on the composition of the cleaning agent and its interaction with combustion residues (ash particles, etc.), harm the gaskets and/or the glass-ceramics and/or the decoration colour of the fireplace viewing panel.

The producer is not responsible for damages, which are caused by attack in using of chemical agents.

6.2 Cleaning the fireplace inserts / disassembly of chamotte

All sediments in flue pipes and combustion space must be removed during cleaning. Repair, ideally by removing, all fallen-off parts of the chamotte lining. The integrity of the chamotte lining must be monitored also during the heating season. Spaces between individual chamotte fittings serve as a heat dilatation preventing cracking of the fittings and must not be filled by filling material as was usual with older types of solid fuel heaters. **Cracked chamotte fittings are still functional until they fall out!** Bulk shutter for directing the draft, if used, should be removed during cleaning (this enables easier access to the space above them). The fireplace insert cleaning (with the exception of glass) should be done without water cleaner, i.e. using only vacuum cleaner or steel brushes. Any modifications of the fireplace insert are unacceptable. Use only spare parts approved by the manufacturer. Disassembly of chamotte (see the Chamotte chamber). From time to time the friction areas of the door hinge and the closing mechanism should be oiled using carbonic fat or grease designed for high temperatures. Close the fireplace insert with corresponding slide valves when not in operation.

6.3 Cleaning the chimney

Each user of a solid fuel heater is obliged to ensure regular checkups and cleaning of the chimney **in accordance with the government regulation no. 34/2016 Coll. from 22st January 2016.**

7. Disposal of covers and the discarded product

Packaging and the discarded product should be liquidated in accordance with law no. 125/1997 Coll. and related regulations.

Packaging:

- a) wooden parts can be used for heating
- b) plastic package is to be placed into a container for sorted waste
- c) screws and handles are to be taken to a waste collection station
- d) bag with the separator of air humidity is to be placed to separated waste

Discarded product:

- a) dismantled glass is to be placed into a container for sorted waste
- b) sealing and chamotte boards are to be placed into communal waste
- c) metal parts are to be taken to a waste collection station

8. Warranty

Remember to read the attached guarantee certificate before you put your stove in operation. It contains information about obligations that must be met for possible guarantee claims to be recognized.

The guarantee does not cover damage caused by incorrect operation.

DE Allgemeine Einbau- und Bedienungsanleitung für Kamineinsätze der Firma Romotop GmbH

- gilt allgemein für alle, von der Firma Romotop GmbH hergestellten Kamineinsätze.
Im anliegenden technischen Datenblatt sind ausführlich technische Daten des jeweiligen Kamineinsatztyps angeführt.

Die Montage, der Anschluss und die Inbetriebnahme des Kamineinsätze darf nur von autorisiertem Händler Romotop GmbH durchgeführt werden.

Die Kamineinsätze dürfen nur nach dieser Anleitung betrieben werden!

Es ist nicht zulässig, bei den Kamineinsätzen beliebige Anpassungen vorzunehmen!

1. Einleitung
2. Technische Beschreibung
3. Sicherheitsvorschriften
 - 3.1 Sicherheitsabstände
 - 3.1.1 Sicherheitsabstand eines Kamineinsatzes im Raum von brennbaren Werkstoffen
 - 3.1.2 Sichere Abstände der Rauchgasleitungen von brennbaren Werkstoffen und Baukonstruktionen
 - 3.2 Fußbodenschutz
 - 3.3 Maßnahmen bei Kaminbrand
4. Montagevorschriften
 - 4.1 Allgemein
 - 4.2 Anschluss an den Kamin (Schornstein)
 - 4.3 Umbau des Kamineinsatzes
5. Bedienungsanleitung
 - 5.1 Brennstoff
 - 5.2 Erste Inbetriebnahme des Kamineinsatzes
 - 5.3 Einheizung und Heizung
 - 5.4 Brennstoffzulegung
 - 5.5 Betrieb im Lauf des Übergangszeitraum
 - 5.6 Beseitigung der Asche
6. Reinigung und Instandhaltung
 - 6.1 Reinigung der Glasscheibe
 - 6.2 Reinigung des Kamineinsatzes / Ausbau der Schamottblöcke
 - 6.3 Reinigung des Kamins
7. Entsorgung der Verpackung und des ausgesondertes Produkts
8. Die Garantie

1. Einleitung

Wir bedanken uns bei Ihnen, dass Sie eben unseren Kamineinsatz beschafft haben und gratulieren Ihnen zugleich herzlich, denn Sie sind zum Inhaber eines Qualitätskamineinsatzes der Firma Romotop GmbH, eines führenden europäischen Kaminheizgeräteherstellers geworden.

Unsere Kamineinsätze können nicht nur als eine zusätzliche Heizung dienen, welche die Atmosphäre Ihres Heims bzw. Ihres Erholungsobjekts steigert, sondern auch als Hauptwärmequelle mit hoher Heizleistung, staublosem Betrieb und vollkommener, umweltfreundlicher Verbrennung. Alle von unserer Firma hergestellten Kaminheizgeräte werden gemäß **ČSN EN 13 240/2002** bzw. **ČSN EN 13 229/2002** geprüft.

Lesen Sie die Anleitung und das technische Datenblatt im eigenen Interesse sorgfältig durch. Bezüglich des sicheren Betriebs hat sich der Benutzer ordnungsmäßig über den richtigen Einbau und Betrieb dieser Einrichtung zu informieren. Bewahren Sie die Anleitung und das technische Datenblatt auf, um zu Beginn jeder Heizsaison wieder die erforderlichen Kenntnisse für die richtige Bedienung Ihres Kamineinsatzes auffrischen zu können.

Garantie für unsere Produkte gewähren wir nur im Falle, dass Sie die in dieser Bedienungsanleitung des Kamineinsatzes angeführten Anweisungen einhalten.

2. Technische Beschreibung

Der Kamineinsatz ist für den Einbau in Kamine in unterschiedlichen Innenräumen (Wohnungen, Wochenendhäuser, Restaurants) bestimmt. Die Kamineinsätze Romotop GmbH werden aus hochwertigen Werkstoffen hergestellt - Gusseisen, CORTEN-Stahl und aus Qualitätsbaustahl und Kesselstahl, die hoch belasteten Bauteile werden aus HARDOX-Stahl produziert. Die Stahlkonstruktionsoberflächen sind mit feuerfestem Mattlack geschützt. Der feuerfeste Lack ist nicht korrosionsbeständig. Der Brennraum des Vollblech-Kamineinsatzes ist mit herausnehmbaren Schamottplatten ausgekleidet, die nicht mit Füllmasse verbunden sind, um deren Beschädigung infolge von Wärmedehnungen vorzubeugen. Der Brennraum ist mit einer Tür mit speziellem feuerfestem Glas versehen. Das Glas erhöht nicht nur das ästhetische Erlebnis beim Anblick des lodernden Feuers, sondern ermöglicht auch eine angenehme Übertragung der Wärmestrahlung. Das Glas verhindert zugleich das Herausfallen von Teilen des brennenden Holzes und Austritt von Rauch in den Raum. Der Feuerraumboden ist in der Regel mit einem herausnehmbaren Eisengussrost versehen. Vor dem Rost ist in der Regel eine Sperre gegen das Herausfallen und Abrutschen des Brennstoffs auf die Tür (Türscheibe) ggf. eine Blech- bzw. Keramikmulde angebracht. Bei Feuerräumen mit Rost befindet sich unter dem Rost ein Raum für den Aschekasten. Bei bestimmten Kamineinsatztypen kann der Abgasrohrstutzen nach Bedarf für obere sowie untere Rauchabführung eingestellt werden. Bestimmte Kamineinsatztypen sind mit einem schwenkbaren Rauchabzugstutzen versehen. Der Kamineinsatz kann mit einem Mantel bzw. ergänzt mit einem Außenmantel aus verzinktem Stahlblech mit Wärmeverteilungsanschlüssen für weitere Räume geliefert werden. Für horizontale Warmluftverteilungen, längere als **4 m** ist es empfehlenswert, einen zusätzlichen Ventilator einzubauen.

Kamineinsätze, die mit getrennter Primär- und Sekundärverbrennungsluft versehen sind, sind mit entsprechenden Bedienungselementen ausgestattet. Die Primärluft wird direkt zum brennenden Brennstoff geführt (in der Regel durch den Aschekasten und Rost) und diese dient der primären Verbrennung. Die Sekundärluft unterstützt die Verbrennung der restlichen brennbaren Gase im Rauchgas, infolgedessen die Heizleistung des Kaminofens erhöht wird, was grundsätzlich den Austritt von Rauchgasemissionen in die Atmosphäre reduziert. Die Sekundärluft wird vor allem in den Raum über dem brennenden Brennstoff geführt. Durch die Sekundärluft wird die kalte Luft auf der Innenseite der Frontscheibe mitgerissen. Dieser Prozess verhindert zugleich das Verrußen der Glasscheibe. Die Sekundärluft beteiligt sich beim Sperren der Primärluft ebenfalls an der primären Verbrennung. Lassen Sie die Primärluftzufuhr beim Anheizen, bei dem noch niedriger Kaminzug vorhanden ist, ganz offen. Nach dem Erwärmen des Kamins können Sie die Primärluftzufuhr zum Teil bzw. ganz sperren, je nach der erforderlichen Leistung des Kamineinsatzes. Für die Leistungsreduzierung des Kamineinsatzes kann auch eine niedrigere Brennstoffmenge gewählt bzw. der Kaminzug durch den Einbau einer Rauchklappe (manuelle Sperrklappe in der Rauchabfuhr, die den Luftkanal max. zu **75%** versperrt) reduziert werden. Das ist vor allem bei einem Kaminzug um und über **20 Pa** empfehlenswert. Der Sekundärluftschieber ist für vollständiges Sperren des Kaminofens außer Betrieb bestimmt. Der Feuerraum und die Aschekastenabdeckung müssen stets geschlossen sein, mit Ausnahme der Inbetriebnahme, Brennstoffzulegung und Beseitigung fester Verbrennungsreste, um den Rauchgasaustritt in den Raum zu verhindern.

Hinter bestimmte Kamineinsätze können Wärmetauscher und Wärmespeicher eingebaut werden, was anschließend die Wirksamkeit des ganzen Kamins erhöht, infolgedessen die vom Brennstoff produzierte Energie genutzt wird. Wärmetauscher können direkter Bestandteil bestimmter Kamineinsatztypen sein, bei denen zur **Warmwasseraufbereitung** zusätzlich der doppelte Außenmantel des Kamineinsatzes genutzt wird.

Bestimmte Kamineinsätze werden mit zentraler Luftzufuhr (**ZLZ**) hergestellt. Diese ermöglicht die Zufuhr von Verbrennungsluft in den Feuerraum des Kamineinsatzes vom Außenbereich*, aus Fluren und Technikräumen. Kamineinsätze mit **ZLZ** sind nicht von der Luftmenge im beheizten Raum abhängig. Sie leisten somit nicht nur einen Beitrag zur Erhaltung eines angenehmen Klimas in Ihrem Heim, sondern reduzieren auch die Energiekosten (im Haus wird die bereits einmal erwärmte Luft nicht verbraucht). Bei der Installation des zentralen Luftzufuhr (**ZLZ**) an der Wand ist darauf zu achten, dass das Rohr in einem negativen Winkel **3°** zum Produkt verläuft. **ZLZ**-Leitungen müssen isoliert sein.

Ein Kamineinsatz mit **ZLZ** ist für den Einbau in energiearme Häuser äußerst geeignet. **Für Erhöhung des Komforts kann das Heizsystem der Kamineinsätze mit ZLZ mit elektrischer Verbrennungsregelung versehen werden.** Diese ermöglicht, zusätzlich den Verbrennungsprozess und Zulegungsintervall zu verlängern und die Betriebssicherheit zu erhöhen und somit unwirtschaftliche Heizung und Überheizung des Kamineinsatzes zu verhindern (die Klappe der zentralen Luftzufuhr wird mit einer Steuerungseinheit mit Servomotor in Abhängigkeit von der augenblicklichen Verbrennungsphase und Austrittstemperatur der Rauchgase gesteuert).

Hinweis: Kamineinsätze haben nicht den Charakter einer Dauerbrandheizung und sind für periodische Betriebsunterbrechung bestimmt, vorwiegend wegen Entleerung des Aschekastens, die bei ausgekühlter Asche vorzunehmen ist.

**Beim Anschluss an eine externe Luftzufuhr (vom Außen) empfehlen wir eine doppeltwirkende Klappe mit einer Silikonmanschette zu installieren, mit der Möglichkeit die Luftzufuhr zu schließen. Dies verhindert Korrosion aufgrund von Feuchtigkeitskondensation, wenn das Produkt außer Betrieb ist. Die Garantie bezieht sich nicht auf Schäden, die durch Korrosion verursacht werden!*

Es ist darauf zu achten, dass der Dämpfer immer geöffnet ist, wenn das Produkt in Betrieb ist!

3. Sicherheitsvorschriften

Die Kamineinsätze dürfen in normaler Umgebung gemäß **ČSN 33 2000-1 ed.2/2009** benutzt werden. Bei einer Änderung dieser Umgebung, bei der auch vorübergehende Brand-, bzw. Explosionsgefahr entstehen könnte (z. B. bei Verlegung von Linoleum, PVC, bei der Arbeit mit Anstrichmitteln, u. ä.) ist der Kamineinsatz rechtzeitig, vor der Entstehung der Gefahr, außer Betrieb zu setzen. Der Kamineinsatz darf danach erst nach gründlicher Lüftung des Raums, am besten mit Zugluft, wieder in Betrieb gesetzt werden.

Beim Betrieb ist die Zufuhr einer ausreichenden Verbrennungsluftmenge und Luft zum Lüften des Raums sicherzustellen, vor allem bei parallelem Betrieb mit einer anderen Wärmeanlage (ca. **8 bis 15 m³** für das Verbrennen von 1 kg Brennstoff)! Bei gut abgedichteten Fenstern und Türen muss es nicht der Fall sein! Dieses Problem wird mittels der aus einem getrennten Raum angeschlossenen **CPV** geregelt. Ebenfalls das Gitter der Verbrennungs-, Lüftungs- und Heizluft darf nicht verstopft werden. Öffnen Sie die Tür beim Zulegen des Brennstoffs stets langsam. Sie verhindern somit den Austritt von Rauch und Asche in den Raum. Der Kamineinsatz erfordert zeitweilige Bedienung und Beaufsichtigung.

Für das Einheizen und Heizen dürfen keine brennbaren Flüssigkeiten benutzt werden! Es ist weiter verboten, beliebige Kunststoffteile, Holzwerkstoffe mit chemischen Bindemitteln (Holzspanwerkstoffe, usw.) und ebenfalls unsortierten Kommunalabfall mit Kunststoffresten u. ä. gemäß **Gesetz 201/20212** zu verbrennen.

Achten Sie beim Heizen darauf, dass mit dem Kamineinsatz keine Kinder manipulieren. Der Kamineinsatz darf nur von Erwachsenen bedient werden!

Bedienen Sie beim Betrieb alle Handgriffe und Knöpfe mit Hilfe einer Zange, eines Hakens bzw. mit der behandschuhten Hand - Verbrennungsgefahr! Es ist verboten, auf den Kamineinsatz während des Betriebs und solange er warm ist, beliebige brennbare Gegenstände abzulegen, die einen Brand verursachen könnten. Lassen Sie bei dem Umgang mit dem Aschekasten und bei der Beseitigung heißer Asche erhöhte Vorsicht walten, es besteht Verbrennungsgefahr. Heiße Asche darf nicht in Kontakt mit brennbaren Gegenständen kommen - z. B. bei Schütten der Asche in Gefäße für den Kommunalabfall.

Bei saisonbedingter Benutzung und bei schlechten Zug- bzw. Witterungsbedingungen ist erhöhte Aufmerksamkeit der Inbetriebnahme des Kamineinsatzes zu widmen. Bei einer längeren Betriebsunterbrechung vor erneutem Einheizen ist zu überprüfen, ob die Rauchwege nicht verstopft sind.

Beim Betrieb und Einbau des Kamineinsatzes sind Sicherheitsvorschriften lt. ČSN 06 1008/1997 einzuhalten, vor allem:

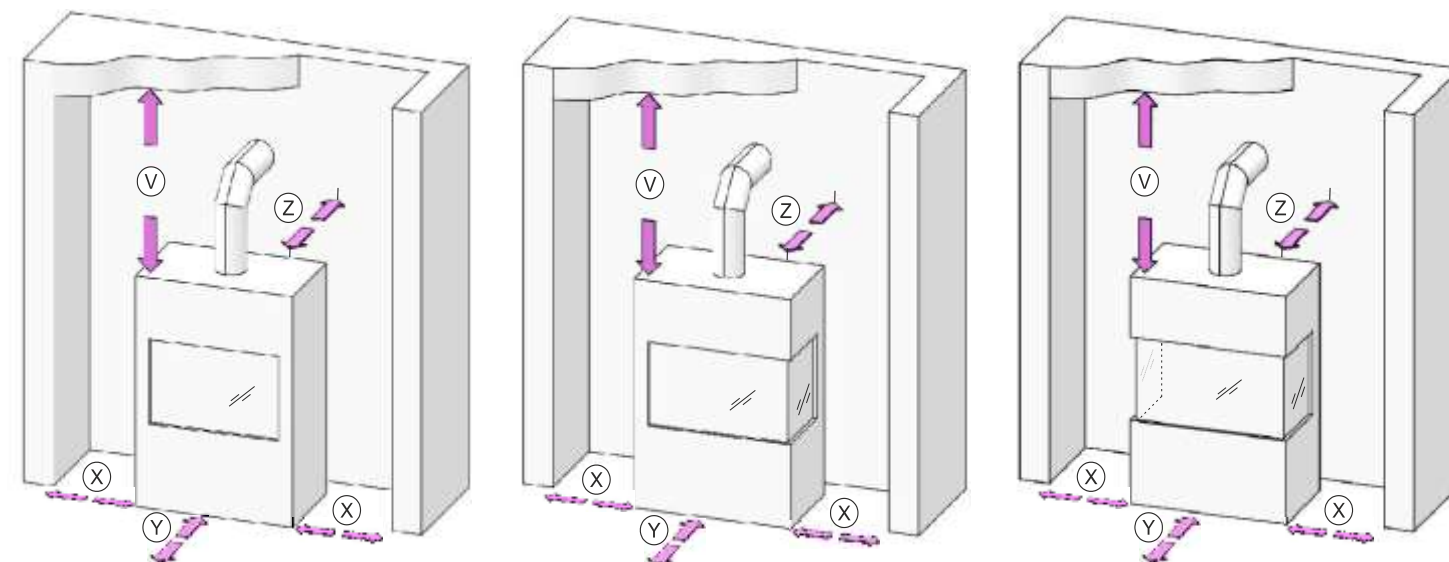
3.1 Sicherheitsabstände:

3.1.1 Sicherheitsabstand eines Kamineinsatzes im Raum von brennbaren Werkstoffen

Beim Einbau des Kamineinsatzes im Raum mit brennbaren Gegenständen der Klasse **B, C** und **D** ist der Sicherheitsabstand gemäß **ČSN 06 1008/1997** von der Kamineinsatztür **80 cm** und in sonstigen Richtungen **40 cm** (siehe Abb. 1), bei Kamineinsätzen mit Doppelmantel **20 cm** einzuhalten. Beim Einbau des Kamineinsatzes im Raum mit brennbaren Gegenständen der Klasse **E oder F** sind diese Abstände zu verdoppeln. Informationen über die Brennbarkeitsstufen bestimmter Baumaterialie sind der **ČSN EN 13 501-1+A1/2010** und **ČSN 73 0810/2016** zu entnehmen. Ist es nicht möglich, den von der Norm vorgeschriebenen Sicherheitsabstand des Kamineinsatzes von brennbaren Stoffen einzuhalten, ist eine Schutzblende lt. **4.4.1 ČSN 06 1008/1997** zu verwenden.

Einstufung von Baustoffen nach der Brennbarkeitsstufe	
A1 oder A2	Granit, Sandstein, Beton, Ziegelsteine, keramische Fliesen, spez. Putz ...
B	Akumin, Heraklit, Lihnos, Itaver ...
C	Laubholz, Sperrholz, Sirkoklit, Hartpapier, Umakart ...
D	Weichholz, Holzspanplatten, Solodur, Korkplatten, Gummi, Fußbodenbelag ...
E oder F	Holzfaserverplatten, Styropor, Polyurethan ...

Abstand von Brennstoffen. Tabelle Technisches Datenblatt



3.1.2 Sichere Abstände der Rauchgasleitungen von brennbaren Werkstoffen und Baukonstruktionen

Sicherer Abstand von Türzargenverkleidungen u. ä. angeordneten Baukonstruktionen aus brennbaren Werkstoffen und von Rohrleitungsinstallationen, einschl. deren Dämmungen ist mind. **20 cm**. Von sonstigen Konstruktionsteilen aus brennbaren Werkstoffen mind. **40 cm** (siehe Abb. 2) gemäß **ČSN 06 1008/1997**. Es

handelt sich um Baustoffe der Klasse **B, C** und **D** laut **ČSN EN 13501-1+A1/2010** (siehe Tabelle Nr. 1). Das gilt auch für Wände und hauptsächlich für Decken mit Putz auf brennbarem Untergrund, z. B. auf Latten bzw. auf Schilf u. ä. Können diese Abstände nicht eingehalten werden, ist mit Hilfe von bautechnischen Maßnahmen, unbrennbaren Verkleidungen, wärmebeständigen Dämmungen und Schutzblenden die Brandgefahr vorzubeugen.

3.2 Fußbodenschutz

Ist der Kamin nicht auf **100%** unbrennbarem Fußboden eingebaut, ist er auf eine unbrennbare Unterlage zu stellen, z. B. Blech (Dicke mind. 2 mm), Keramik, Hartglas, Stein, so dass die Temperatur des brennbaren Fußbodens lt. **ČSN 73 4230/2014** beim Betrieb nicht **50°C** überschreitet.

Gemäß 5.1.3.3 **ČSN 06 1008/1997** muss die Dämmungsunterlage den Feuerraum mind. um

- **80 cm** in senkrechter Richtung zur Kamineinsatztür,
- **40 cm** in paralleler Richtung zur Kamineinsatztür überstehen.

Auf den Kamineinsatz und in kleineren Abständen, als der Sicherheitsabstand dürfen keine Gegenstände aus brennbaren Stoffen gestellt/gelegt werden.

3.3 Maßnahmen bei einem Kaminbrand (Schornstein):

Während des laufenden Betriebs, vor allem bei der Benutzung von feuchtem Brennstoff setzen sich im Kamin Ruß und Teer an. Bei Vernachlässigung der regelmäßigen Kontrolle und Reinigung des Kamins **gemäß Regierungsverordnung Nr. 34/2016 Slg. vom 22.1.2016** erhöht sich die Wahrscheinlichkeit eines Brands im Kamin.

Beim Entflammen von Ruß und Teer im Kamin ist wie folgt vorzugehen:

- auf keinen Fall mit Wasser löschen, das würde zur Bildung einer übermäßigen Menge von Dampf und zum anschließenden Zerreißen des Kamins führen,
- falls es möglich ist, ist in die Feuerstätte trockener Sand zu schütten und somit das Feuer zu löschen,
- alle Verbrennungsluftzufuhrquellen löschen, falls es möglich ist, den Kamin zudecken, es darf jedoch die Ansammlung von Rauch im Haus nicht zur Folge haben,
- die lokale Feuerwehr informieren, um zu beurteilen, ob das Ereignis der Feuerwehrbereitschaft zu melden ist,
- bis zum Ausbrennen des Kamins das Haus nicht verlassen, die Kamintemperatur und den Verbrennungsverlauf ständig kontrollieren,
- nach dem Ausbrennen vor erneutem Einheizen mit dem Kaminfegerdienst Kontakt aufnehmen und den Kaminzustand beurteilen lassen, mit dem Kaminofenhersteller Kontakt aufnehmen und den Kamineinsatz untersuchen lassen.

4. Montagevorschriften

Hinweis: Bei der Montage des Kamineinsatzes sind alle örtlichen Vorschriften einzuhalten, einschl. Vorschriften, die nationale Normen und EU-Normen für diese Art von Verbrauchern betreffen, vor allem:

ČSN 73 4230/2014 - Kamine mit offener und geschlossener Feuerstätte

ČSN EN 13229/2002+A1/2003+A2/2005 - Einbauheizverbraucher und Kamineinsätze für feste Brennstoffe

ČSN EN 13240/2002+A2/2005 - Verbraucher für feste Brennstoffe zum Beheizen von Wohnräumen.

ČSN 73 4201/2016 ed.2 - Kamine und Rauchabzüge - Planung, Ausführung und Anschließung von Brennstoffverbrauchern

ČSN EN 1443/2004 - Kamine - Allgemeine Anforderungen

ČSN EN 13501-1+A1/2010 - Brandschutzklassifikation von Bauprodukten und Baukonstruktionen

ČSN 06 1008/1997 – Brandsicherheitseinrichtungen

Dekret Nr. 268 / 2011 Slg. - Technische Bedingungen für den Brandschutz von Gebäuden

4.1 Allgemein

Der Kamineinsatz ist auf dem entsprechenden, vom Hersteller gelieferten Ständer bzw. gemauerten Sockel auf Fußböden mit entsprechender Tragfähigkeit einzubauen, bei umbauten Kamineinsätzen ist zusätzlich das Gewicht der Ummauerung zu berücksichtigen! Erfüllt der vorhandene Zusammenbau nicht diese unerlässliche Bedingung, sind für die Erfüllung dieser Anforderung geeignete Maßnahmen zu treffen (z. B. Benutzung einer Unterlage zur Verteilung der Belastung). Beim Einbau ist angemessener Zugang für die Reinigung des Kamineinsatzes, des Rauchabzugs und des Kamins (Schornsteins), falls dieser nicht von einer anderen Stelle, z. B. vom Dach bzw. mit Hilfe einer zu diesem Zweck vorgesehenen Tür gereinigt werden kann, vorzusehen.

4.2 Anschluss an den Kamin (Schornstein)

Vor der Montage eines geschlossenen Kamineinsatzes ist anhand einer Berechnung nachzuweisen, dass die Kaminkonstruktion mit ihrer Ausführung, Größe der Luftkanäle und wirksamen Höhe der Nennleistung des einzubauenden Kamineinsatzes entspricht.

Voraussetzung für die ordnungsmäßige Funktion des Kamineinsatzes ist ein geeigneter Kamin (Schornstein) - Mindestquerschnitt, Kaminzug, Dichtigkeit, u. ä. Holen Sie sich daher vor der Anordnung Ihres Kamineinsatzes einen Rat bei Ihrem Kaminfeger. Die erforderlichen Kaminwerte sind dem anliegenden technischen Datenblatt zu entnehmen. Bei zu starkem Kaminzug ist es angebracht, eine geeignete Kaminklappe bzw. einen Kaminzugregler einzubauen. Zu starker Kaminzug kann eine Ursache von Betriebsstörungen sein, z. B. der zu intensiven Verbrennung, des zu hohen Brennstoffverbrauchs und kann eine dauerhafte Beschädigung des Kamineinsatzes zur Folge haben.

Die niedrigste wirksame Höhe des Kamins für den Rauchgasabzug vom Kamineinsatzes ist **5 m** (gemessen vom Kaminanschluss bis zur Kaminmündung). Der Kaminanschluss ist mit einem Kaminring zu versehen. Der Anschluss an den Rauchgaskanal ist mit dem Rauchgaskanalhersteller abzustimmen. Der Rauchgaskanal ist mindestens **5 cm** unter der Deckenuntersicht herauszuführen. Der Abzugsstutzen ist mit dem Kamin auf dem kürzesten möglichen Weg zu verbinden, so dass die Rauchgasstrecke max. **1/4** der wirksamen Kaminhöhe darstellt (d. h. **1,5 m**). Die Abzugsrohre sind gegenseitig dicht mit Überlappung zu verbinden u. zw. in dem Sinne, dass die Verbindungen jeweils der Rauchgasströmung entspricht bzw. mit Stumpfstoß mit Hilfe von Verbindungsringen. Verläuft das Verbindungsstück durch Bauteile mit brennbaren Baustoffen, sind Schutzmaßnahmen gemäß **ČSN 06 1008/1997** zu treffen. Normgemäß soll die Rauchgasleitung in Richtung des Rauchgaskanals in Richtung der Rauchgasströmung mind. unter dem Winkel **3°** steigen. Äußerst wichtig ist die Dichtigkeit und Festigkeit der Verbindungsstellen. Der Kamin und der Kaminofenanschluss müssen der **ČSN 73 4201/2016 ed.2** entsprechen. Der Kaminmantel darf bei der höchsten Kaminofentemperatur keine höhere Temperatur, als **52°C** aufweisen. Der Querschnitt der Rauchabzugskanäle darf nicht größer, als der Querschnitt des Kaminluftkanals sein und darf sich nicht in Richtung der Kaminmündung verengen. Wird anhand einer Berechnung nachgewiesen, dass der Querschnitt des Rauchabzugskanals und des Kamins kleiner sein kann, als der Querschnitt des Rauchabzugstutzens des Kamineinsatzes, ist der Querschnitt des Rauchabzugs unmittelbar hinter dem Rauchabzugstutzen des Kamineinsatzes mit Hilfe eines kurzen Anlaufs bzw. eines Sprungs zu reduzieren. Ein flexibler Rauchabzug aus dem Werkstoff gemäß Tab. **A.1.** darf nur an Stellen benutzt werden, an denen dessen Kontrolle gemäß **7.2.1 der ČSN 73 4201/2016 ed.2** gewährleistet werden kann, falls der Rauchabzug nicht durch freien Raum geführt wird, ist dessen Kontrolle durch eine Anpassung gemäß **7.2.5 ČSN 73 4230/2014** sicherzustellen. Ein senkrechter Rauchabzug darf nur in den in **8.3.4 und 8.3.5 ČSN 73 4230/2014** angeführten Fällen benutzt werden.

Ein Kamineinsatz kann an einen gemeinsamen Luftkanal mit einem Gasverbraucher **bei mehrschichtigen Kaminen gemäß ČSN 73 4201/2016 ed.2 angeschlossen werden.**

Das Austreten von Wasser in das Produkt bei Verwendung eines vertikalen Rauchkanal mit Kaminfunktion ist kein Grund für eine Beschwerde!

Es ist möglich, alle Kamineinsätze Romotop zur Mehrfachbelegung hinzuzufügen. Betriebslauf mit geschlossener Feuerraumtür und Erfüllung von allen lokalen Vorschriften und Normen ist vorausgesetzt.

4.3 Umbau des Kamineinsatzes

Für den Einbau des Kamineinsatzes in den Kamin sind Fachkenntnisse erforderlich. Der Bau des Kamins wird in der Norm ČSN 73 4230/2014. Die Montage, der Anschluss und die Inbetriebnahme des Kamineinsatzes darf nur von autorisiertem Händler Romotop GmbH durchgeführt werden.

Bei der Installation und Installation eines Kamineinsatzes folgende Richtlinien beachten:

1. Es sind alle vorstehend angeführten Sicherheits- und Montagevorschriften einzuhalten.
2. Nach dem Einbau des ganzen Kamins darf weder der Eintritt noch Austritt der Konvektionsluft durch beliebige Bauteile eingeschränkt werden. Der Eintritts- sowie Austrittsquerschnitt der Konvektionsluft sind im technischen Datenblatt angeführt.
3. Für die Steigerung der endgültigen Ausgestaltung des Kamins sind die Türrahmen abmessungstechnisch den von der Firma Romotop s.r.o. hergestellten keramischen Verkleidungen angepasst.
4. Für den Umbau ist das dafür vorgesehene Material zu verwenden.
5. Der Austritt der erhitzten Konvektionsluft ist mind. **30 cm** unter der Decke anzuordnen (Abb. 2).
6. Über dem Konvektionsluftaustritt muss sich eine unbrennbare Deckenkonstruktion befinden. Ihre Temperatur darf den Wert **50°C** nicht überschreiten. Die Deckenuntersicht soll daher gegen die Wärmewirkungen vom Kamin mit einer Abschottung mit mindestens einer nicht ganz abschließbaren Öffnung (Abb. 2) bzw. mit einer zusätzlichen Wärmedämmschicht versehen sein.
7. Dieselben Bedingungen gelten für die zum Kamin und Fußboden anliegenden Wände. Zwischen der Wärmedämmung und der Wand soll ein gelüfteter Luftzwischenraum bleiben. Es ist empfehlenswert, auf die Wandoberfläche eine Alu-Folie zu kleben.
8. In der Wand, an der sich der Kamin befindet, darf sich keine Strom-, Wasser- und Gasleitung befinden. Weder in der Wand noch auf deren Oberfläche dürfen sich brennbare Materialien bzw. Materialien befinden, aus denen durch Wärmeeinwirkung Schadstoffe freigesetzt werden.
9. Zwischen dem Kamineinsatz und dem Mantel sind minimale freie Zwischenräume (siehe technisches Datenblatt) in der ganzen Höhe und Breite des Kamineinsatzes einzuhalten, dass die Konvektionsluft frei strömen kann und Überhitzung des Kaminzusammenbaus verhindert wird.
10. Etwaige lufttechnische Rohrleitungen müssen von den brennbaren Baukonstruktionen mindestens **40 cm** entfernt sein, bzw. ist nachzuweisen, dass durch die gemeinsame Wirkung mit der Wärme in der Rohrleitung die Konstruktion nicht entflammen kann. Die Konvektionsluft kann in der Nähe des Kamineinsatzes die Temperatur bis **300°C** erreichen!
11. **Vergessen Sie nicht**, dass sich von dem Kamineinsatz die Wärme auch in Richtung Fußboden ausbreitet. Der Fußboden muss am Standort des Kaminfundaments und im Abstand von mind. **80 cm** vor der Feuerstätte und **40 cm** seitlich aus unbrennbaren Material sein. Der Abstand wird von der näheren Kante der Feuerstätte gemessen. Der Fußboden unter dem Kamin muss entsprechende Tragfähigkeit aufweisen.
12. **Vergessen Sie nicht** - falls Sie mit der Bestückung eines dekorativen Kaminsimses aus Holz rechnen, dass dieser aus Qualitätsholz mit höchstens 15% Feuchtigkeit hergestellt sein muss und dass um den Sims ebenfalls Konvektionsluft durch einen Zwischenraum von mind. **1 cm** zum Kühlen strömen muss bzw. dass der Sims vom Kamin isoliert sein muss, so dass dessen Oberflächentemperatur **52°C** nicht überschreitet.
13. Bei der Warmluftverteilung durch natürliche Luftumwälzung ist es empfehlenswert, max. **4 m** lange horizontale Verteilungen herzustellen. Bei der Luftverteilung mit Hilfe einer Zwangsumwälzung ist die Länge der Verteilungen nicht begrenzt.
14. Die Rohre der Warmluftverteilungen müssen dicht und aus einem Material sein, das beständig gegen Betriebstemperaturen ist. Es ist empfehlenswert die Verteilungen in der ganzen Länge mit einer Wärmedämmung zu versehen, insbesondere in Wand- bzw. Deckendurchgängen bzw. in der Nähe von brennbaren Materialien.
15. Die Warmluftausströmer dürfen nicht an Stellen angeordnet sein, an denen sich Material mit der Neigung zu Strukturänderungen durch den Einfluss von Wärme befinden (z.B. Styroporverkleidung, bestimmte Tapetenarten u. ä.).
16. **Bei dem Kamineinsatz dürfen weder Konstruktionsänderungen vorgenommen werden, noch darf**

der Kamineinsatz in irgendeiner Art angepasst werden!!!

Bei der Montage des Kamineinsatzes sind alle örtlichen Vorschriften einzuhalten, einschl. Vorschriften, die nationale Normen und EU-Normen betreffen, vor allem: Lassen Sie sich vor dem Einbau ein Fachprojekt anfertigen.

Die Projektdokumentation soll im Maßstab **1:10** bzw. **1:20** erstellt werden. Vor der Inbetriebnahme des Kamineinsatzes ist eine Kontrolle vom Kaminfeger durchzuführen und es sind die Rauchgaswege **gemäß Kapitel 9 ČSN 73 4201/2016 ed.2** zu überprüfen. Die Kontrolle des Kaminanschlusses mit dem Rauchkanal an den Rauchkanal des Kamins (Schornsteins) sollte vor der Verschließung des Rauchzugs zur Warmluftkammer durchgeführt werden. Das Ergebnis der Inspektion ist im Abgasinspektionsbericht einschließlich des technischen Berichts nach dem Dekret Nr. 34/2016 Slg.

Bitte halten Sie den Revisionsbericht und den Technischen Bericht sorgfältig!

Vertikaler Schnitt eines Einmantel-Kamins mit geschlossener Feuerstätte.

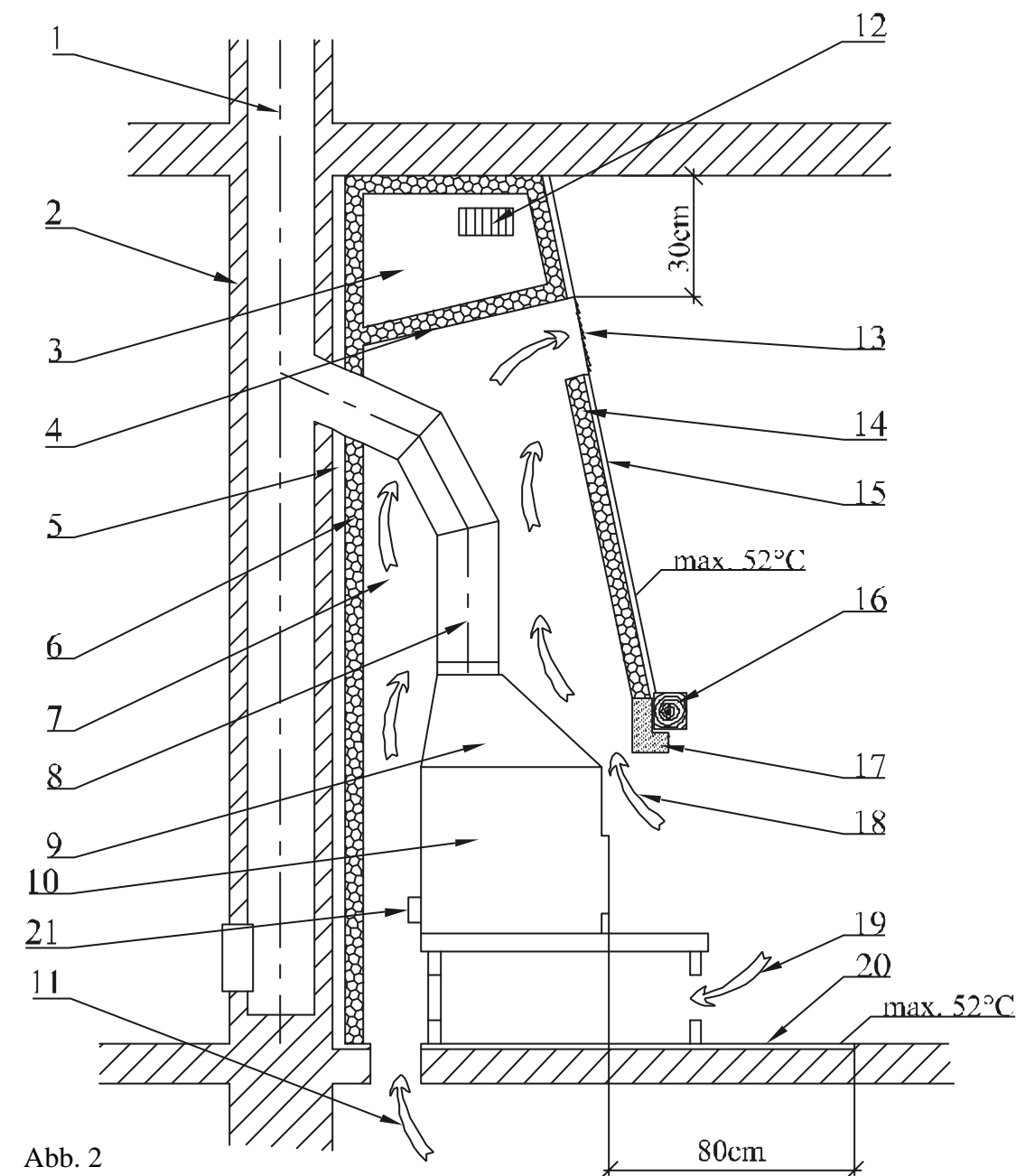


Abb. 2

01 - Kaminluftkanal	11 - Luftzufuhr aus einem anderen Raum (bzw. CPV)
02 - Gebäudewand	12 - Entlüftung des Deckendämmbereichs
03 - Dämmbereich über der Kammer	13 - Warmluftausströmer aus der Kammer
04 - Decke der Warmluftkammer	14 - Wärmedämmschicht
05 - entlüfteter Luftzwischenraum	15 - Wand der Warmluftkammer
06 - Wärmedämmschicht	16 - Kaminsims
07 - Raum der Warmluftkammer	17 - Kaminsimsschutz
08 - Rauchabzug des Kamineinsatzes	18 - Luftzufuhr in die Warmluftkammer
09 - Rauchkammer des Kamineinsatzes	19 - Luftzufuhr vom Bereich unter dem Kamineinsatz
10 - Feuerstätte des geschlossenen Kamins	20 - feuerfester Fußboden (Unterlage) vor dem Kamin
	21 - CPV-Stützen

Das Schema der Kaminzusammenbauanordnung gilt allgemein auch für Doppelmantel-Kamineinsätze und Kamineinsätze mit Wärmespeicher- sowie Warmwassertauscher.

5. Bedienungsanleitung

5.1 Brennstoff

In Kamineinsätzen darf nur Holz in Übereinstimmung mit dem Gesetz **Nr. 201/2012 Slg.** verbrannt werden. Zum Erreichen der Nennwerte des Kaminofens ist es empfehlenswert, trockene Holzscheite mit dem Durchmesser **5-8 cm** und in der Länge **20-30 cm** und mit niedrigerer Feuchtigkeit, als **20%** (optimal sind **10%**). Reisig und klein gespaltenes Holz ist lediglich beim Anheizen zu verwenden. Um das Holz richtig zu trocknen, sind die gespaltenen Holzscheite mindestens über 2 Jahre unter einem gelüfteten Vordach zu lagern.

In dem Kamineinsatz ist bis zu der im technischen Datenblatt angeführten Nennleistung zu heizen, d. h. Verbrennung der gegebenen Menge des erlaubten Brennholzes in **1 Stunde**. Bei langzeitiger übermäßiger Überlastung droht Beschädigung des Kamineinsatzes.

Als Brennstoff dürfen nie brennbare Flüssigkeiten, Koks, Kohle bzw. Abfälle vom Typ: Holzspanplatten, Kunststoff, Tüten, behandeltes Holz bzw. selbstständige Holzspäne, Sägemehl bzw. Pellets benutzt werden!

!!! Verbrennung derartiger Werkstoffe verschmutzt nicht nur unsere Umwelt, sondern beschädigt auch den Kamineinsatz und den Kamin (Schornstein)!!!

5.2 Erste Inbetriebnahme des Kamineinsatzes

Vor der ersten Inbetriebnahme sind etwaige Aufkleber vom Glas, Zubehörteile aus dem Aschekasten ggf. Feuerraum zu beseitigen, dasselbe gilt auch für etwaige Transportsicherungen. **Alle Kunststoff-Abdeckstopfen an den Gewindeverbindungen sind nicht funktionsfähig, sie sind nur für Transport bestimmt.** Überprüfen Sie nach der Abbildung aus dem technischen Datenblatt, ob die lose gelagerten Zugumlenkungsblenden, Schamottblöcke ggf. die Sperren richtig angeordnet sind (es besteht die Möglichkeit, dass sie beim Transport bzw. bei der Installation in die falsche Position gerutscht sind). Falls Sie deren fehlerhafte Anordnung feststellen, bringen Sie die Bauteile in die richtige Position, andernfalls ist die richtige Funktion der Heizvorrichtung gefährdet. Nach der Aufstellung des Kamineinsatzes, Anschließung an den Kamin, ggf. Anschließung des Austauschers an das Warmwassersystem und dessen Befüllung mit dem Wärmeträgermedium heizen Sie ein und heizen sie mindestens zwei Stunde "mit kleiner Flamme". Lassen Sie vor sowie im Laufe des ersten Einheizens die Tür des Ofens sowie des Aschekastens ein wenig offen (**ca. 1-2 cm**), damit das Dichtungsmaterial nicht am Lack anhaftet. Für die Oberflächenbehandlung des Kamineinsatzes wurde feuerfeste Farbe benutzt, die nach dem ersten Einheizen nach vorübergehendem Weicherden ausbrennt. Im Laufe der Phase des Weicherdens besteht erhöhte Gefahr der Lackoberflächenbeschädigung mit der Hand bzw.

einem Gegenstand. Beim ersten Einheizen ist der Kamineinsatz mit kleiner Flamme, mit einer kleineren Brennstoffmenge und bei niedriger Temperatur zu beheizen. **Der ganze Prozess der Inbetriebnahme des Produkts verläuft bei voll geöffneter Luftzufuhr. Erste zwei Nachlegen sollten der Mindestgrenze des empfohlenen Brennstoffs entsprechen (siehe auch „Technisches Datenblatt“).** Alle Materialien müssen sich an die Wärmebelastung gewöhnen. Durch vorsichtiges Anheizen verhindern Sie Entstehung von Rissen in den Schamottblöcken, Beschädigung des Lacks und Deformation von Materialien der Einsatzkonstruktion. **Nächste 5 – 6 Nachlegen sollten Maximalmenge des Brennstoffs (siehe „Technisches Datenblatt“) innerhalb von 5 – 6 Stunden entsprechen. Jetzt nach dem Nachlegen schließen Sie immer die Feuerraumtür. Aufgrund der höchsten Temperaturen (Maximalleistung) kommt es zur Aushärtung des Lacks.** Das Ausbrennen des Kamineinsatzlacks wird durch vorübergehenden üblen Geruch begleitet, der mit der Zeit verschwindet.

Beim Ausbrennen des Lacks ist ordnungsmäßige Lüftung des Raums zu gewährleisten, ggf. sicherzustellen, dass keine kleinen Haustiere ggf. Vögel im Raum anwesend sind, es ist auch empfehlenswert, die Luftversorgung von Aquarien auszuschalten.

Das Erhitzen und Auskühlen des Kamineinsatzes wird durch Geräusche begleitet, es handelt sich um keinen Mangel.

Nach dem Abkühlen des Kamineinsatzes und ggf. des Austauschers kann die Außenverkleidung des Kamineinsatzes eingebaut werden.

5.3 Einheizung und Heizung

1. Bei einem Kamineinsatz mit Rost - geben Sie in den Feuerraum zuerst zerknittertes Papier und schichten Sie auf das Papier Holzsplitter. Zum Anheizen kann auch fester Feuerzunder benutzt werden. Lassen Sie nach dem Einheizen das Feuer bei offenen Luftregulierungselementen frei aufbrennen. **Es ist verboten, zum Einheizen flüssige Brennstoffe (Benzin, Petroleum, u. ä.) zu benutzen!** Sobald das Feuer aufbrennt und genügend Zug vorhanden ist, können größere Holzscheite zugelegt werden, ohne dass der Rauch in den Raum austritt. Legen Sie stets die festgelegte Brennstoffmenge nach der Nennleistung des Kamineinsatzes zu.

2. Bei einem Kamineinsatz ohne Rost - wird zum Brennen lediglich die Sekundärluft genutzt, legen Sie daher in den Feuerraum größere Holzscheite, anschließend kleinere Holzscheite und zuletzt Holzsplitter und Papier. Lassen Sie nach dem Einheizen das Feuer bei offenen Luftregulierungselementen frei aufbrennen. **Es ist verboten, zum Einheizen flüssige Brennstoffe (Benzin, Petroleum, u. ä.) zu benutzen!** Sobald das Feuer aufbrennt und genügend Zug vorhanden ist, können größere Holzscheite zugelegt werden, ohne dass der Rauch in den Raum austritt. Legen Sie stets die festgelegte Brennstoffmenge nach der Nennleistung des Kamineinsatzes zu.

Der Brennstoffverbrauch ist stets im technischen Datenblatt angeführt. Regulieren Sie die Verbrennungsintensität mit den Bedienungselementen der Luftzufuhr, ggf. durch Reduzierung des Kaminzugs, falls in Ihrem Ofen eine Rauchklappe eingebaut ist. Eine größere Brennstoffmenge bzw. zu großer Zug und zu große Luftzufuhr kann Überheizung und Beschädigung des Kamineinsatzes zur Folge haben. Zu kleiner Zug verursacht Schwärzung der Türscheibe bzw. Austritt von Rauch in den Raum bei der Öffnung der Ofentür und beim Zulegen in den Kamineinsatz.

Hinweis: Die Feuerraumtür muss stets geschlossen sein, mit Ausnahme der Inbetriebnahme, Brennstoffzulegung und Beseitigung der Asche. Bei jeder längeren Unterbrechung des Kamineinsatzbetriebs ist vor dem Einheizen die Durchgängigkeit und Sauberkeit der Rauchzüge, des Kamins (Schornsteins) und des Feuerraums zu kontrollieren.

5.4 Brennstoffzulegung

Zur Verhinderung des Austritts von Rauchgas in den Raum beim Zulegen empfehlen wir: Etwa 5 bis 10 Sekunden vor dem Öffnen der Feuerraumtür die Luftregler voll öffnen, anschließend die Tür zuerst ein wenig öffnen, einige Sekunden warten, solange das Rauchgas nicht in den Kamin abgezogen wird und erst danach die

Tür voll öffnen. Nach dem Öffnen der Tür ist stets aufmerksam vorzugehen, es besteht Gefahr des Herausfallens von heißer Asche. Nach dem Brennstoffzulegen die Feuerraumtür erneut schließen. Nach dem Aufbrennen des Brennstoffs (ohne qualmige Flamme) den Regler wieder in die ursprüngliche Position stellen. Die Menge des zugelegten Brennstoffs soll dem informativen Stundenverbrauch des jeweiligen Kamineinsatzes entsprechen (siehe technisches Datenblatt). Beim Überheizen kann die Kamineinsatzkonstruktion dauerhaft beschädigt werden.

Hinweis: Übermäßiger Austritt der Rauchgase in den Raum beim Zulegen kann durch Nachfüllung des Brennstoffs nach dessen Abbrennen bis auf glühende Asche verhindert werden.

5.5 Betrieb im Lauf des Übergangszeitraum

Im Laufe des Übergangszeitraums ggf. bei höheren Außentemperaturen als 15°C, an regnerischen und feuchten Tagen, bei starkem böigem Wind kann sich unter Umständen der Kaminzug (Abzug des Rauchgases aus dem Kamineinsatzes) verschlechtern. Es ist empfehlenswert, den Kamineinsatz in diesem Zeitraum mit der kleinstmöglichen Brennstoffmenge zu betreiben, um durch Öffnung der Luftzufuhr die Verbrennung und somit auch den Kaminzug verbessern zu können.

Tipps: In diesem Zeitraum kann sich durch Zugeigenschaften des Kamins in der Kaminmündung ein sog. atmosphärischer Stöpsel bilden. Dieser Stöpsel kann das Eindringen von Rauch in den Raum beim Einheizen verursachen. Es ist daher empfehlenswert, vor dem Einheizen zuerst ein Stück zerknittertes Papier - am besten im oberen Feuerraumbereich verbrennen zu lassen. Dieser scheinbar geringe Rauch genügt zum "Durchstoßen" des atmosphärischen Stöpsels. Anschließend kann man ohne Bedenken das Papier (bzw. den festen Feuerzunder) anzünden, wobei auch ein feuchter Kamin entsprechend durchgängig ist.

In diesem Zeitraum kann beim Einheizen auch erfolgreich der Vorgang für den Kamineinsatz ohne Rost (ohne Aschekasten) benutzt werden.

5.6 Beseitigung der Asche

Achten Sie darauf, dass Sie den Aschekasten entleeren, nachdem er bis in die Hälfte voll ist, damit der Aschekegel nicht zu nah zu dem Rost anwächst und der Rost nicht durch Überhitzung beschädigt wird. Die Asche würde zugleich die Zufuhr der erforderlichen Verbrennungsluft behindern. Der Aschekasten ist am besten in kaltem Zustand zu entleeren, am besten bei der Vorbereitung der nächsten Einheizung. Für die Reinigung des Aschekastens in kaltem Zustand ist ebenfalls ein Aschesauger mit Kleinpartikelfilter geeignet. Holzasche kann für Kompost bzw. als Dünger benutzt werden. Die Asche ist in geschlossenen unbrennbaren Behältern aufzubewahren.

Hinweis: Vor der Entleerung des Aschekastens ist zu überprüfen, ob er keine glühenden Aschereste enthält, die Feuer im Abfallbehälter verursachen könnten.

Hinweis: Bei bestimmten Kamineinsatztypen befindet sich der Aschekasten im Raum unter dem Rost, ohne dass er seitlich heraus genommen werden kann. Der Aschekasten ist nur bei ausgekühltem Ofen herauszunehmen. Der Zugang zum Aschekasten ist nach dem Abklappen des Rosts frei.

Bei der Beseitigung von heißer Asche ist mit erhöhter Vorsicht vorzugehen.

6. Reinigung und Instandhaltung

Ihr Kamineinsatz ist ein Qualitätsprodukt und bei normalem Betrieb entstehen keine grundsätzlichen Störungen. Es ist notwendig den Kamineinsatz und Rauchzüge regelmäßig und grundsätzlich vor und nach der Heizperiode prüfen und reinigen.

Nehmen Sie die Reinigung und Instandhaltung stets bei ausgekühltem der Kamineinsatz vor!

Die Kamineinsatzes oberfläche ist geschützt durch eine hitzebeständige Oberflächenbehandlung. Die hitzebeständige Oberflächenbehandlung ist nicht korrosionsbeständig. Vermeiden Sie direkten Kontakt mit Wasser, anderen Reinigungsmittel, Scheuermittel oder Lösungsmittel.

Die Oberflächen des Kamineinsatzes reinigen Sie mit einem weichen, trockenen Tuch!

6.1 Reinigung der Glasscheibe

Auf Erhaltung der Glasscheibensauberkeit hat außer der Benutzung des geeigneten Brennstoffs, der ausreichenden Verbrennungsluftzufuhr und des entsprechenden Kaminzugs auch die Art, wie der Kamineinsatz bedient wird, Einfluss. Wir empfehlen in diesem Zusammenhang nur eine Brennstoffschicht zuzulegen, so dass der Brennstoff womöglich gleichmäßig im Feuerraum verteilt und weit vom Glas ist. Bei Verschmutzung des Glases beim Heizen empfehlen wir, durch das Öffnen des Luftreglers die Verbrennungsintensität zu erhöhen, die Glasscheibe wird meistens selbsttätig gereinigt.

Das verrußte Türglas kann in kühlem Zustand mit Zeitungspapier bzw. mit feuchtem Stoff mit Holzasche. Üblicherweise kommen beim Reinigen der Kaminsichtscheibe auch flüssige Reinigungsmittel zum Einsatz. Diese können jedoch in manchen Fällen, abhängig von der Zusammensetzung des Reinigungsmittels und dessen Wechselwirkung mit Verbrennungsrückständen (Aschepartikel, etc.), die Dichtungen des Kaminofens und/oder die Glaskeramik und/oder die Dekorationsfarbe der Kaminsichtscheibe angreifen.

Der Hersteller trägt keine Verantwortung für Schäden, die durch Angriff unter Verwendung von chemischen Stoffen entstehen.

6.2 Reinigung des Kamineinsatzes / Ausbau der Schamottblöcke

Bei der Reinigung sind die Ablagerungen aus den Rauchzügen und aus dem Feuerraum zu beseitigen. Herausgefallene Teile der Schamottaumauerung sind zu reparieren, am besten auszutauschen. Vollständigkeit der Schamottaumauerung ist ebenfalls im Laufe der Heizsaison zu überwachen. Die Zwischenräume zwischen einzelnen Schamottblöcken dienen zur Wärmedehnung und Verhinderung der Entstehung von Sprüngen in den Blöcken und dürfen nicht z. B. durch Füllmasse ausgefüllt werden, wie es zum Beispiel bei älteren Heizgeräten für feste Brennstoffe üblich war. **Rissige Schamottblöcke verlieren nicht ihre Funktion, sofern sie nicht ganz herausfallen!** Wir empfehlen, bei der Kamineinsatzreinigung die losen Zugumlenkungsblenden herauszunehmen, falls sie bei dem Kamineinsatz vorhanden sind (zur Erleichterung des Zugangs zu dem Raum hinter den Blenden). Reinigung des Kamineinsatzes (außer dem Glas) wird ohne Wasserzubereitungen vorgenommen, z. B. mit Hilfe eines Staubsaugers bzw. von Stahlbürsten. Beliebige Modifizierungen des Kamineinsatzes sind unzulässig. Es sind ausschließlich vom Hersteller freigegebene Ersatzteile zu benutzen. Ausbau der Schamottblöcke (siehe Schamottkammer). Schmieren Sie die Reibungsflächen der Tür und des Schließmechanismus von Zeit zu Zeit mit kohlenstoffhaltigem Fett bzw. mit Schmierstoff für hohe Temperaturen. Ist der Kamineinsatz außer Betrieb, schließen Sie ihn mit Hilfe der entsprechenden Schieber.

6.3 Reinigung des Kamins

Jeder Benutzer eines Heizgeräts für feste Brennstoffe hat regelmäßige Kontrollen und Reinigung des Kamins gemäß **Regierungsverordnung Nr. 34/2016 Slg. vom 22.1.2016** sicherzustellen.

7. Entsorgung der Verpackung und des ausgesondertes Produkts

Wir empfehlen im Sinne des Gesetzes Nr. 125/1997 Slg. und der zusammenhängenden Vorschriften folgende Art der Entsorgung der Verpackung und des unbrauchbaren, ausgesonderten Produkts.

Verpackung

a) Holzteile der Verpackung zum Heizen benutzen

- b) die Kunststoffverpackung in einen Container für getrennten Abfall geben
- c) Schrauben und Halter beim Altstoffhandel abliefern
- d) die Tüte mit dem Luftfeuchtigkeitsseparator als getrennten Abfall entsorgen

Ausgesondertes Produkt:

- a) das Glas ausbauen und in einen Container mit getrenntem Abfall geben
- b) Dichtung und Schamottblöcke als Kommunalabfall entsorgen
- c) Metallteile beim Altstoffhandel abliefern

8. Garantie

Wichtig ist, dass Sie vor Inbetriebnahme des Kaminofens den beiliegenden Garantieschein durchlesen. Daraus können Sie entnehmen, welche Pflichten erfüllt werden müssen, damit evtl. Garantieansprüche anerkannt werden.

Schäden, die durch falsche Bedienung entstehen, unterliegen nicht der Garantie.

FR Mode d'emploi général pour l'installation et l'entretien des inserts de cheminée de l'entreprise Romotop S.A.R.L.

- valable d'une façon générale pour tous les types d'insert de cheminée fabriqués par l'entreprise Romotop S.A.R.L..

La fiche technique jointe comprend toutes les données techniques détaillées pour le type d'insert de cheminée donné.

Le montage et l'installation des inserts de cheminée peuvent être effectués uniquement par le revendeur autorisé Romotop S.A.R.L.

L'insert de cheminée ne peut être utilisé que conformément au présent mode d'emploi !

Aucune modification non autorisée ne peut être effectuée sur l'insert de cheminée !

1. Introduction
2. Description technique
3. Consignes de sécurité
 - 3.1 Distances de sécurité
 - 3.1.1 Distance de sécurité entre l'insert de cheminée et les matériaux inflammables
 - 3.1.2 Distance de sécurité entre les conduits de fumée et les matériaux inflammables et les pièces de construction
 - 3.2 Protection du plancher
 - 3.3 Mesures en cas d'incendie dans la cheminée
4. Règles de montage
 - 4.1 Consignes générales
 - 4.2 Raccordement à la cheminée
 - 4.3 Habillage de l'insert de cheminée
5. Guide d'entretien
 - 5.1 Combustible
 - 5.2 Première mise en service de l'insert de cheminée
 - 5.3 Allumage et chauffage
 - 5.4 Chargement de combustible
 - 5.5 Utilisation pendant la période de transition
 - 5.6 Récupération des cendres
6. Nettoyage et entretien
 - 6.1 Nettoyage de la vitre
 - 6.2 Nettoyage de l'insert de cheminée / démontage des chamottes
 - 6.3 Nettoyage de la cheminée
7. Mode de liquidation des emballages et du produit hors d'usage
8. Garantie

1. Introduction

Nous vous remercions d'avoir opté pour notre insert de cheminée et nous vous félicitons chaleureusement car vous venez de devenir le propriétaire d'un insert de cheminée de qualité exceptionnelle de l'entreprise Romotop S.A.R.L. faisant partie des meilleurs fabricants européens d'appareils de cheminée.

Nos inserts de cheminée peuvent servir non seulement comme chauffage d'appoint renforçant l'atmosphère de votre foyer ou de votre bâtiment récréatif, mais également comme source de chauffage principale avec un rendement thermique élevé, un fonctionnement sans poussière et une combustion parfaite respectant au maximum l'environnement. Tous les appareils de cheminée fabriqués par notre entreprise sont testés conformément aux normes **ČSN EN 13 240/2002** ou **ČSN EN 13 229/2002**.

Dans votre propre intérêt, veuillez lire soigneusement le mode d'emploi et la fiche technique. Pour un fonctionnement en toute sécurité, l'utilisateur est tenu de s'informer dûment sur l'installation et l'utilisation correctes de ce dispositif. Veuillez conserver le mode d'emploi et la fiche technique de façon à ce que, au début de chaque saison de chauffe, vous puissiez rafraîchir vos connaissances nécessaires à la bonne utilisation de votre insert de cheminée.

Nous ne fournissons une garantie pour nos produits que si vous respectez les consignes indiquées dans le présent mode d'emploi relatif à l'utilisation de l'insert de cheminée.

2. Description technique

L'insert de cheminée est destiné à être encastré dans les cheminées et installé dans différents espaces intérieurs (appartements, bâtiments récréatifs, restaurants). Les inserts de cheminée Romotop S.A.R.L. sont fabriqués à partir de matériaux de construction de qualité - fonte, acier CORTEN et aciers de construction et à chaudière de qualité, les pièces soumises à une charge sont en acier de type HARDOX. La surface des constructions en acier est protégée par un vernis mat réfractaire. Les vernis réfractaires ne sont pas anticorrosifs. L'intérieur de la chambre à combustion des inserts de cheminée tout en tôle est pavé de plaques en chamotte amovibles qui ne sont liées entre elles par aucune matière grasseuse afin de prévenir leur endommagement par les dilatations thermiques. La chambre à combustion peut être fermée solidement à l'aide de la porte équipée d'un vitrage spécial thermorésistant. Non seulement la vitre augmente les sensations esthétiques amenées par le spectacle des flammes dansantes, mais elle permet également la transmission de l'agréable chaleur rayonnante. En outre, le vitrage empêche la projection d'étincelles venant du bois brûlant ainsi que l'arrivée de fumée dans la pièce. Le fond du foyer comprend généralement une grille en fonte amovible. Devant la grille, on place généralement une barrière pour empêcher que le combustible ne tombe ou ne glisse sur la porte (vitre de devant) ou encore une bosse en tôle ou en céramique. Dans le cas des foyers à grille, un espace pour le cendrier se trouve sous la grille. Pour certains types, la bouche du conduit de fumée peut être ajustée en fonction des besoins à la sortie de fumée supérieure ou arrière. Le conduit de fumée évacuant les produits de la combustion de certains types d'inserts de cheminée sont dotés d'une bouche tournante. La réalisation de l'insert de cheminée peut consister en un revêtement qui peut être complété d'un revêtement extérieur en tôle galvanisée dotée de sorties pour le raccordement de la distribution de chaleur dans d'autres pièces. Lorsque les conduits de chaleur sont éloignés horizontalement de plus de **4 m**, on conseille l'installation d'un ventilateur de soutien.

Les inserts de cheminée dotés d'une arrivée d'air de combustion primaire et secondaire sont équipés des éléments de commande correspondants. L'air primaire est acheminé directement dans le combustible brûlant (généralement par le cendrier et la grille) et sert à la réaction de combustion primaire. L'air secondaire soutient la combustion des gaz combustibles résiduels dans les produits de combustion et augmente ainsi le rendement thermique du dispositif chauffant tout en prenant part de façon significative à la réduction de la quantité des matières nocives rejetées dans l'air ambiant. L'air secondaire est amené avant tout dans l'espace au-dessus du combustible brûlant. Sa présence entraîne le laminage (primage) de l'air froid sur la paroi intérieure de la vitre frontale. En même temps, ce processus empêche la vitre de noircir. En renfermant partiellement ou complètement l'air primaire, l'air secondaire prend également part à la combustion primaire. Lors de l'allumage, quand le tirage de la cheminée est encore faible, laissez l'air primaire complètement ouvert. Lorsque la cheminée commence à chauffer, vous pouvez refermer partiellement voire complètement l'arrivée d'air primaire en fonction du rendement désiré de l'insert de cheminée. Afin de réduire le rendement de l'insert de cheminée, vous pouvez également opter pour une dose de combustible inférieure ou encore limiter le tirage de la cheminée en montant une trappe à fumée (fermeture manuelle dans le conduit à fumée refermant le passage max. à **75 %**). Nous recommandons cela notamment pour un tirage de cheminée environ égal ou supérieur à **20Pa**. La vanne

secondaire est destiné à la fermeture complète du poêle pour arrêter complètement son fonctionnement. Le foyer et le couvercle du cendrier doivent toujours être fermés sauf au moment de la mise en marche, du chargement de combustible et du retrait des résidus solides de la combustion afin d'empêcher que les produits de la combustion s'échappent dans la pièce.

Il est possible d'installer des échangeurs de chaleur et d'accumulation sur certains inserts de cheminée, ce qui a pour conséquence d'augmenter l'efficacité de toute la cheminée et permettre l'utilisation maximale de l'énergie issue du combustible. Les échangeurs à chaleur peuvent faire directement partie de certains types d'inserts de cheminée ; on utilise alors également le revêtement double extérieur de l'insert de cheminée pour réchauffer l'eau utile.

Certains inserts de cheminée sont fabriqués avec une arrivée d'air centrale (AAC). Cette dernière permet d'amener, dans la chambre à combustion de l'insert de cheminée, de l'air pour la combustion à partir des espaces extérieurs*, des entrées, des salles techniques etc. Les inserts de cheminée avec AAC ne sont pas dépendants de la quantité d'air se trouvant dans l'espace chauffé. Ainsi, ils contribuent non seulement à maintenir un climat agréable dans votre demeure, mais réduisent également les frais d'énergie (l'air réchauffé déjà une fois dans la maison n'est pas consommé). Lors de l'installation de la sortie Diamètre de l'arrivée d'air central (AAC) sur le mur, il est important de s'assurer que le tuyau passe à un angle négatif 3° par rapport au produit. Les lignes AAC doivent être isolées.

Un insert de cheminée avec AAC convient particulièrement à la construction de cheminées dans les maisons à faible consommation d'énergie. **Afin d'augmenter le confort, le système de chauffage de certains inserts de cheminée avec AAC peut être équipé d'une régulation électronique de la combustion. Cette dernière** apporte en outre la possibilité de prolonger le processus de combustion ainsi que l'intervalle de chargement de combustible, d'augmenter la sécurité du fonctionnement et de limiter le chauffage non-économique et la surchauffe de la cheminée (la vanne de l'arrivée d'air centrale est contrôlée par l'unité de contrôle et le servomoteur en fonction de la phase actuelle de combustion et de la température de sortie des produits de la combustion).

Avertissement : Un insert de cheminée n'a pas un caractère de dispositif chauffant permanent et il est conçu pour une utilisation périodique interrompue, notamment en raison du vidage du cendrier qui est effectué lorsque les cendres ont refroidi.

**Lors du raccordement à l'arrivée d'air externe (de l'extérieur), il est recommandé d'installer un clapet à double effet avec manchon d'étanchéité en silicone avec la possibilité de fermer l'arrivée d'air. Cela empêchera la corrosion due à la condensation d'humidité de se former lorsque le produit est hors service. La garantie ne couvre pas les défauts causés par la corrosion!*

Attention, il faut veiller à ce que le registre soit toujours ouvert lorsque le produit est en fonctionnement!

3. Consignes de sécurité

L'insert de cheminée peut être utilisé dans son environnement normal conforme à la norme ČSN 33 2000-1 ed.2/2009. Dans le cadre d'un changement d'environnement pouvant entraîner un danger transitionnel d'incendie ou d'explosion (par exemple lors du collage de linoléum, PVC, pendant l'utilisation de produits de revêtement etc.), l'insert de cheminée doit être mis hors d'usage avant que le risque ne survienne. En outre, l'insert de cheminée ne peut être utilisé qu'après une aération soignée, si possible par courant d'air.

Lors de l'utilisation, il faut assurer qu'une quantité suffisante d'air de combustion et d'air pour l'aération de la pièce soit acheminée, notamment lorsqu'on utilise en même temps un autre dispositif de chauffage (environ 8 à 15m³ pour brûler 1 kg de combustible) ! Cela n'est pas forcément le cas si les fenêtres et les portes sont bien étanches ! On obtient cela lorsqu'on branche l'AAC dans une pièce séparée. Par ailleurs, la grille de régulation de l'air de combustion, d'aération et de chauffage ne doit pas être bouchée. Ouvrez toujours la porte pour le chargement du combustible lentement. Ainsi, vous empêcherez la fumée et les cendres de s'échapper dans la pièce. L'insert de cheminée demande de temps à autre à être entretenu et surveillé.

Aucun liquide inflammable ne doit être utilisé pour l'allumage et le chauffage ! En outre, il est interdit de brûler des plastiques, des matériaux en bois avec divers agglomérats chimiques (agglomérés etc.), quels qu'ils soient, ainsi que des déchets ménagers non triés issus des résidus de plastique et autres conformément à la loi n° 201/2012 du J.O..

Pendant le chauffage, assurez-vous que l'insert de cheminée n'est pas manipulé par des enfants. Les inserts de cheminée ne peuvent être utilisés que par des personnes adultes !

Pendant le fonctionnement, maniez tous les manches et les boutons à l'aide de pinces, de crochets, voire votre main protégée par un gant (isolant) - risque de brûlure ! Pendant son utilisation et lorsqu'il est encore chaud, il est interdit de déposer sur l'insert de cheminée des objets en matériaux inflammables, quels qu'ils soient, susceptibles de causer un incendie. Veuillez être très prudent en manipulant le cendrier et en retirant les cendres brûlantes car vous risquez de vous brûler. Les cendres brûlantes ne doivent pas entrer en contact avec des objets inflammables - par exemple pendant le versement dans les récipients destinés aux déchets communaux.

En cas d'utilisation saisonnière et en cas de mauvaises conditions de tirage ou climatiques, il est nécessaire de porter une attention accrue lorsqu'on met l'insert de cheminée en fonction. Après une longue période d'interruption de fonctionnement, il est nécessaire de contrôler si les voies de combustion n'ont pas été bouchées avant de rallumer le poêle.

Pendant l'utilisation et l'installation des inserts de cheminée, il est nécessaire de respecter les consignes de sécurité conformes à la norme ČSN 06 1008/1997, notamment :

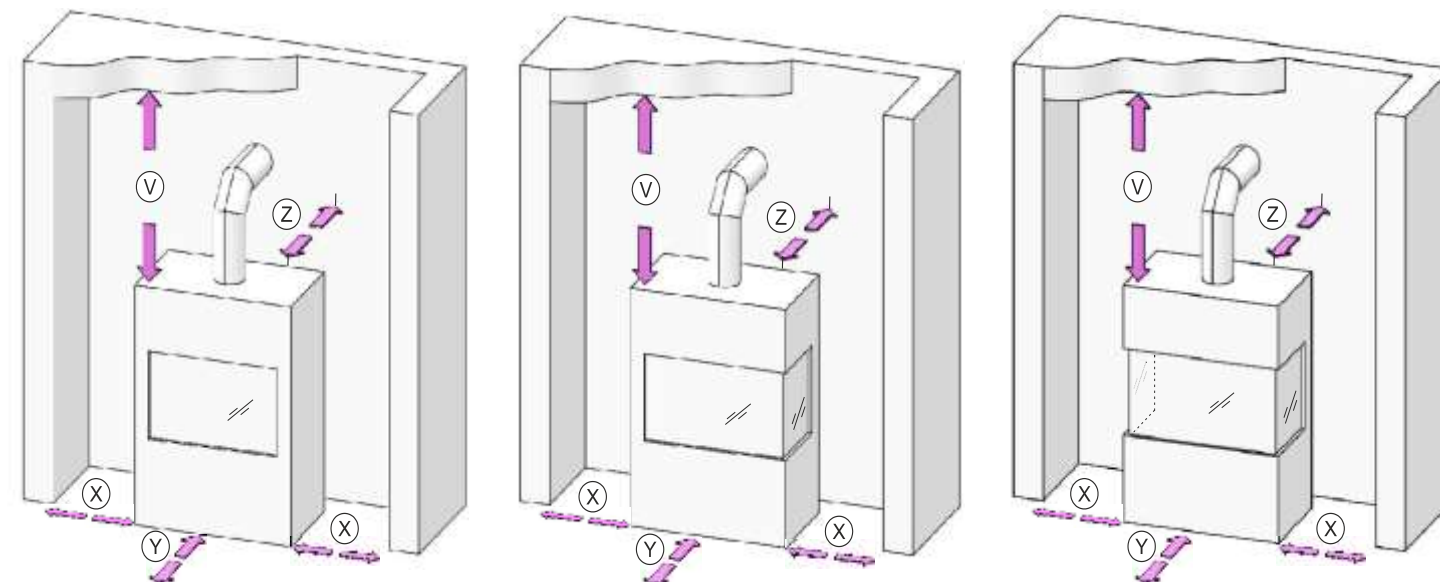
3.1 Distances de sécurité :

3.1.1 Distance de sécurité entre l'insert de cheminée et les matériaux inflammables

Pendant l'installation de l'insert de cheminée dans un espace contenant des objets inflammables de classe B, C et D, la distance de sécurité d'après la norme ČSN 06 1008/1997, à savoir 80cm de la porte et 40cm des autres objets (voir image 1), doit être respectée pour les inserts de cheminée à double revêtement, à savoir 20cm. Si l'insert de cheminée est installé dans un espace contenant des objets inflammables de classe E ou F, ces distances doivent être multipliées par deux. Les informations sur le degré d'inflammabilité de certains matériaux de construction sont évoquées par la norme ČSN EN 13 501-1+A1/2010 et ČSN 73 0810/2016. S'il est impossible de respecter la distance de sécurité du dispositif chauffant par rapport aux substances inflammables tel que prévu par la norme, il est nécessaire d'utiliser une cloison de protection conformément à 4.4.1 ČSN 06 1008/1997.

Matériaux de construction classés selon la réaction au feu	
A1 ou A2	granit, grès, bétons, briques, carreaux de céramique, plâtres spéciaux ...
B	acumin, fibrociment, lihnos, itaver ...
C	bois feuillu, contre-plaqué, sirkoklit, papier durci, formica ...
D	bois résineux et aggloméré, solodur, bois de liège, caoutchouc, revêtements de sol ...
E ou F	planches de fibre de bois, polystyrène, polyuréthane ...

Eloignement des matériaux inflammables, voir. Tableau Fiche technique



3.1.2 Distance de sécurité entre les conduits de fumée et les matériaux inflammables et les pièces de construction

La distance de sécurité avec la garniture du cadre de porte et autres constructions placées de cette sorte en matériaux inflammables d'une part et l'installation de tuyaux y compris les isolations est d'au moins **20cm**. Les autres parties des constructions en matériaux inflammables doivent être à une distance minimale de **40cm** (voir image 2) selon **ČSN 06 1008/1997**. Il s'agit des matériaux de construction de classe **B, C et D** selon **ČSN EN 13501-1+A1/2010** (voir tableau n° 1). Ceci s'applique également aux murs et notamment aux plafonds avec enduit sur fond inflammable, par exemple les voliges etc. ! Si ces distances ne peuvent être respectées, il faut pallier le risque d'incendie à l'aide de mesures techniques de construction, de revêtements ignifuges, d'isolations et de cloisons résistantes à la chaleur.

3.2 Protection du plancher

Si la cheminée n'est pas installée sur un plancher non inflammable à **100 %**, il est nécessaire de la placer sur un tapis non inflammable isolant, par exemple sur de la tôle (épaisse d'au moins 2 mm), de la céramique, du verre durci, de la pierre, de façon à ce que la température du plancher inflammable d'après **ČSN 73 4230/2014** pendant le fonctionnement ne dépasse pas **50 °C**.

D'après 5.1.3.3 **ČSN 06 1008/1997**, le tapis isolant doit dépasser le foyer d'au moins

- **80cm** verticalement par rapport à la porte de chargement de l'insert de cheminée.
- **40cm** horizontalement par rapport à la porte de chargement de l'insert de cheminée.

Aucun objet en matière inflammable ne doit être déposé sur l'insert de cheminée ni à une distance inférieure à la distance de sécurité.

3.3 Mesures en cas d'incendie dans la cheminée :

À la suite d'un fonctionnement courant, notamment à cause de combustible humide, des cendres et du goudron sont déposés dans la cheminée. Lorsqu'on néglige les contrôles réguliers et le nettoyage de la cheminée **conformément au règlement du gouvernement n° 34/2016 du J.O. daté du 22^{er} janvier 2016** la probabilité d'un incendie dans cette dernière augmente.

En cas d'ignition des cendres et du goudron dans la cheminée, procédez de la façon suivante :

- n'éteignez avec de l'eau dans aucun cas, cela provoquerait l'apparition d'une trop grande quantité de vapeur ce qui mènerait à la déchirure de la cheminée
- si possible, versez du sable sec sur le foyer pour éteindre le feu
- fermez toutes les arrivées d'air pour la combustion, si possible recouvrez la cheminée, cependant, il ne faut pas que la fumée s'amasse dans l'espace de la maison
- contactez l'équipe des sapeurs-pompiers locale afin d'évaluer la nécessité d'informer les services de pompiers d'urgence
- ne quittez pas la maison jusqu'à ce que la cheminée s'éteigne, contrôlez la température de la cheminée et le déroulement de la combustion au fur et à mesure
- après la fin de la combustion et avant de rallumer l'insert, veuillez contacter le service de ramonage afin que celui-ci évalue l'état de la cheminée, ainsi que le fabricant de l'insert de cheminée pour un contrôle.

4. Règles de montage

Avertissement : Pendant le montage de l'insert de cheminée, toutes les règles locales doivent être respectées, y compris les règles relatives aux normes nationales et européennes pour ce type d'appareils, notamment :

ČSN 73 4230/2014 - Cheminées avec foyer ouvert et fermé

ČSN EN 13229/2002+A1/2003+A2/2005 - Appareils de chauffage encastrables et inserts de cheminée pour combustible solide

ČSN EN 13240/2002+A2/2005 - Appareils à combustible solide servant au chauffage des espaces d'habitation

ČSN 73 4201/2016 ed.2 - Cheminées et conduits de fumée - conception, réalisation et branchement des appareils à combustion

ČSN EN 1443/2004 - Cheminées – Exigences générales

ČSN EN 13501-1+A1/2010 - Classification des produits de construction et des constructions des bâtiments relative aux incendies

ČSN 06 1008/1997 - Dispositifs de sécurité anti-incendie

Décret N° 268 / 2011 du J.O. - Conditions techniques pour la protection contre les incendies des bâtiments

4.1 Consignes générales

L'insert de cheminée doit être installé sur le support correspondant fourni par le fabricant ou sur un socle en maçonnerie sur les planchers supportant la charge ; dans le cas d'un insert de cheminée avec habillage, il est nécessaire de prendre en compte le poids de l'habillage ! Si l'installation existante ne remplit pas cette condition essentielle, des mesures adéquates doivent être prises pour remplir cette exigence (par exemple l'utilisation d'un tapis répartissant la charge). Lors de l'installation, il est nécessaire d'assurer un accès adéquat pour le nettoyage de l'insert de cheminée, du conduit de fumée et de la cheminée s'il n'est pas possible de nettoyer cette dernière à partir d'un autre endroit, par exemple le toit ou la petite porte destinée à cet effet.

4.2 Raccordement à la cheminée

Avant le montage d'un insert de cheminée fermé, il faut calculer si la construction de la cheminée correspondra par sa réalisation, la dimension des conduits d'aération et la hauteur utile au rendement nominal de la cheminée installée.

La condition d'un bon fonctionnement d'un insert de cheminée est une cheminée adéquate (section minimale, tirage de la cheminée, étanchéité etc.). Ainsi, avant de mettre en place l'insert de cheminée, veuillez consulter un ramoneur qualifié. Vous trouverez les valeurs pour la cheminée dans la fiche technique jointe. Dans les cas où le tirage de la cheminée est trop élevé, il convient d'installer une trappe à cheminée adéquate ou un régulateur de tirage de la cheminée. Un tirage trop élevé peut causer des problèmes pendant le fonctionnement, par exemple une combustion trop intense, une consommation de combustible élevée, et peut également entraîner un endommagement irréversible de l'insert de cheminée.

La hauteur utile la plus basse de la cheminée pour l'évacuation des produits de la combustion provenant de la cheminée est de **5 m** (mesuré à partir de la frette après la bouche de la cheminée). L'entrée dans la cheminée doit être équipée d'une frette. Le raccordement au carneau doit être consulté avec le fabricant du carneau. Le carneau doit déboucher au moins à **5 cm** du plafond. Reliez la bouche de tirage avec la cheminée par le chemin le plus court possible de manière à ce que la longueur des voies de fumée ne dépasse pas **1/4** de la hauteur utile de la cheminée (à savoir **1,5m**). Les tuyaux à fumée et le coude doivent être reliés étanchement en se chevauchant de façon à ce que les joints soient assemblés en fonction du sens du courant des produits de la combustion, ou encore assemblés bout à bout à l'aide d'anneaux de liaison. Si la pièce de liaison traverse des pièces de construction avec des matériaux de construction inflammables, il est nécessaire de respecter les mesures de protection d'après la norme **ČSN 06 1008/1997**. D'après celle-ci, le conduit de fumée doit s'élever en direction du carneau dans le sens du courant des produits de la combustion sous un angle d'au moins **3°**. L'étanchéité et la solidité des joints sont capitales. La cheminée et le raccordement du poêle doivent correspondre à **ČSN 73 4201/2016 ed.2**. Lors de la température de fonctionnement la plus élevée de la cheminée, la chaleur du revêtement de la cheminée ne doit pas dépasser **52 °C**. La section des bouches d'aération du conduit de fumée ne doit pas être supérieure à la section de l'aération de la cheminée et ne doit pas rétrécir en direction de la cheminée. Si les calculs démontrent que la section de l'aération du conduit de cheminée et de la cheminée peut être inférieure à la section de la bouche de combustion de l'insert de cheminée, la section du conduit de fumée diminuera juste après la bouche de combustion de l'insert de cheminée par entrée courte ou par saut. Un conduit de fumée flexible, matériau d'après le tableau **A.1**, peut être utilisé dans les endroits où on peut garantir son contrôle d'après la norme **7.2.1 ČSN 73 4201/2016 ed.2**, si le conduit de fumée ne passe pas par un espace dégagé, la possibilité de pouvoir le contrôler doit être garantie par modification d'après **7.2.5 ČSN**

73 4230/2014. Un conduit de fumée vertical ne peut être utilisé que dans les cas indiqués dans **8.3.4 et 8.3.5 ČSN 73 4230/2014.**

L'insert de cheminée peut être raccordé à une aération commune avec un appareil à gaz **dans le cas de cheminées à plusieurs couches d'après ČSN 73 4201/2016 ed.2.**

Une fuite d'eau dans le produit lors de l'utilisation d'un conduit vertical avec une fonction de cheminée n'est pas un motif de réclamation!

4.3 Habillage de l'insert de cheminée

Des connaissances techniques sont nécessaires au montage de l'insert dans la cheminée. La construction de la cheminée est traitée par la norme **ČSN 73 4230/2014. Le montage et l'installation des inserts de cheminée peuvent être effectués uniquement par le revendeur autorisé Romotop S.A.R.L.**

Lors de l'installation et de l'installation d'un insert de cheminée, suivez les instructions suivantes:

1. Tous les règlements de montage et de sécurité susmentionnés doivent être respectés.
2. Après l'installation de l'ensemble de la cheminée, l'entrée ni la sortie de l'air de convection ne doivent être obstruées par des pièces de construction, quelles qu'elles soient. La section de la sortie et de l'entrée de l'air de convection figure sur la fiche technique
3. Afin de renforcer l'apparence finale de la cheminée, les cadres de la porte sont typés du point de vue des dimensions à l'aide d'un revêtement en céramique fabriqué par l'entreprise Romotop spol. s r.o.
4. Le matériau de l'habillage doit être destiné à cet effet.
5. La sortie de l'air de convection chauffé doit se trouver au moins à **30 cm** sous le plafond (image 2).
6. Une construction de plafond non inflammable doit se trouver au-dessus de la sortie de l'air de convection chauffé. Sa température ne doit pas dépasser la valeur de **50°C**. C'est pour cela que le plafond doit être isolé contre les effets de la chaleur émanant de la cheminée à l'aide d'une cloison avec au moins une ouverture avec grille qui n'est pas complètement refermable (image 2) ou à l'aide d'une couche suffisante d'isolation thermique.
7. Les mêmes conditions s'appliquent pour les murs adjacents à la cheminée et au plancher. Un espace d'air aéré doit demeurer entre l'isolation thermique et le mur. Il est conseillé de coller une feuille en aluminium sur la surface du mur.
8. Le mur près duquel la cheminée est construite ne doit pas contenir de circuits électriques, de circuits d'eau et de gaz ; aucun matériau inflammable ni un matériau qui libérerait des particules nuisibles par l'effet de la chaleur ne doit se trouver dans le mur et à sa surface.
9. Les distances libres minimales entre l'insert de cheminée et le revêtement doivent être respectées (voir fiche technique) sur toute la hauteur de l'insert de cheminée et sur toute sa largeur, de façon à ce que l'air de convection puisse circuler librement et pour empêcher ainsi la surchauffe de l'ensemble de la cheminée.
10. Les éventuels tuyaux aérotechniques doivent être éloignés des constructions inflammables d'au moins **40 cm**, ou bien il doit être prouvé que la chaleur provenant des tuyaux ne peut entraîner l'ignition des constructions. À proximité de l'insert, l'air de convection peut atteindre des températures allant jusqu'à **300°C** !
11. **N'oubliez pas** que les inserts de cheminée diffusent la chaleur également en direction du sol. À l'emplacement de la cheminée et à une distance d'au moins **80 cm** devant le foyer et **40 cm** du flanc du foyer, le plancher doit être constitué d'un matériau non inflammable. La distance est mesurée par rapport à l'arrête du foyer la plus proche. Le plancher où se trouve la cheminée doit supporter la charge correspondante.
12. Si vous envisagez de la mise en place d'une corniche décorative en bois, **n'oubliez pas** que celle-ci doit être fabriquée à partir d'un bois de qualité avec une humidité maximale de 15 % et que de l'air de convection de refroidissement doit également circuler autour d'elle et ce à un espace d'au moins **1cm** ou bien qu'elle doit être isolée thermiquement de la cheminée de façon à ce que sa température de surface ne dépasse pas **50°C**.
13. Pendant la distribution de l'air chaud par circulation naturelle de l'air, il est recommandé d'opter pour une longueur des conduits horizontaux maximale de 4 m. Pendant la distribution d'air chaud avec circulation forcée de l'air, la longueur du conduit n'est pas limitée.
14. Les tuyaux pour la distribution d'air chaud doivent être étanches et fabriqués dans un matériau résistant aux températures de fonctionnement. Il est recommandé de les isoler sur toute la longueur notamment dans les endroits de passage par le plafond, les murs ou à proximité de matériaux inflammables.

15. Les sorties d'air chaud ne doivent pas être situées dans des endroits où se trouvent des matériaux souvent soumis à des modifications structurales par l'influence des températures (par exemple revêtement en polyester, certains types de papiers muraux etc.).

16. Aucun changement de construction ne doit être réalisé sur l'insert de cheminée et ce dernier ne doit être modifié d'aucune manière !!!

Pendant le montage de l'insert de cheminée, toutes les règles locales doivent être respectées, y compris les règles relatives aux normes nationales et européennes. Avant la construction, faites élaborer un projet technique.

La documentation de projet doit être élaborée à une échelle de **1:10** ou **1:20**. Avant la mise en fonction de la cheminée, un contrôle doit être effectué par un ramoneur et les voies de combustion doivent être mises à l'épreuve conformément au **chapitre 9 de ČSN 73 4201/2016 ed.2**. Le contrôle du raccordement de la cheminée par circuit de fumée au carneau et à l'aération de la cheminée devrait être réalisé avant la fermeture de la voie de combustion dans la chambre à air chaud. Le résultat de l'inspection doit être consigné dans le rapport d'inspection des gaz d'échappement, y compris le rapport technique selon le décret n° **34/2016 du J.O.** **Veillez conserver attentivement le rapport de révision et le rapport technique !**

Coupe verticale d'une cheminée à un revêtement avec foyer fermé

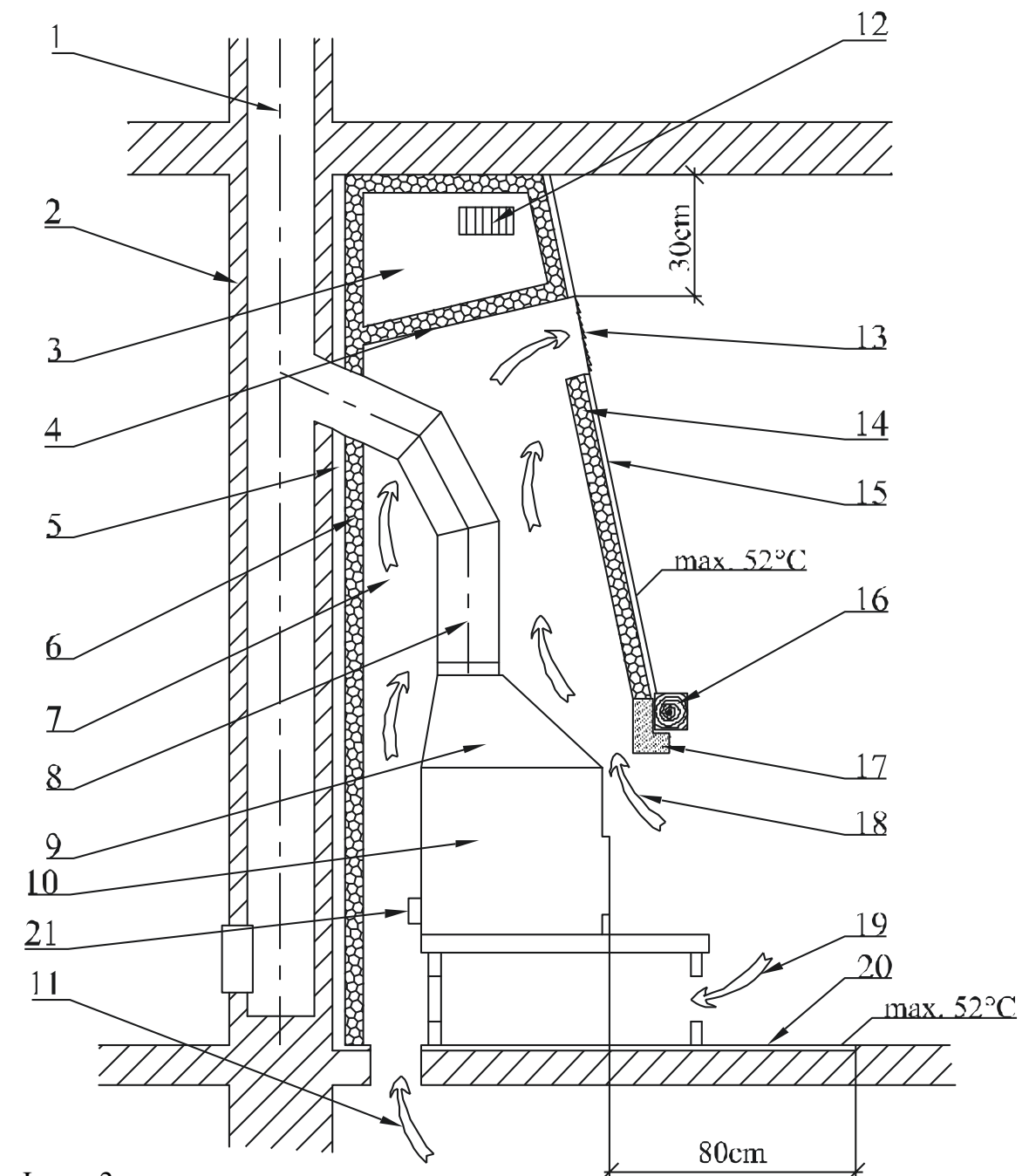


Image 2

01 - aération de la cheminée	11 - arrivée d'air à partir d'une autre pièce (ou AAC)
02 - mur du bâtiment	12 - aération de l'espace d'isolation du plafond
03 - espace d'isolation au-dessus de la chambre	13 - sortie d'air chaud de la chambre
04 - plafond de la chambre à air chaud	14 - couche d'isolation thermique
05 - espace d'air aéré	15 - paroi de la chambre à air chaud
06 - couche d'isolation thermique	16 - corniche de cheminée
07 - espace de la chambre à air chaud	17 - protection de la corniche de cheminée
08 - conduit de fumée de l'insert de cheminée	18 - arrivée d'air dans la chambre à air chaud
09 - chambre à fumée de l'insert de cheminée	19 - arrivée de l'air de la pièce sous l'insert de cheminée
10 - foyer de la cheminée fermée	20 - plancher non inflammable (tapis) devant la cheminée
	21 - bouche AAC

Le schéma d'assemblage de la cheminée est également valable d'une façon générale pour les inserts de cheminée à deux revêtements et les inserts de cheminée avec échangeur de chaleur à accumulation et échangeur à eau chaude.

5. Guide d'entretien

5.1 Combustible

Dans l'insert de cheminée, il est autorisé de brûler uniquement du bois conformément à la loi n° 201/2012 du J.O.. Afin d'atteindre les paramètres nominaux du dispositif chauffant, il est recommandé d'utiliser des bûches sèches d'un diamètre de **5-8cm**, de longueur **20-30cm**, d'une humidité inférieure à **20%** (idéalement **10%**). N'utilisez du petit bois ou du bois coupé finement uniquement pour l'allumage. La siccité recommandée du bois est atteinte en entreposant les bûches pendant au moins deux ans dans un abri aéré.

Il est nécessaire de chauffer l'insert de cheminée au rendement nominal indiqué dans la fiche technique ce qui signifie la combustion du combustible donné à la quantité autorisée en **1 heure**. En cas de surcharge excessive pendant longtemps, l'appareil de chauffage à cheminée risque d'être endommagé.

N'utilisez jamais des liquides inflammables, du coke, du charbon en tant que combustible, ni des déchets des types suivants : plaques en aggloméré, matières plastiques, sacs en plastique, bois enduit ou copeaux de bois séparés, sciure de bois ou pellets !

!!! Non seulement la combustion de tels matériaux est très nocive pour l'environnement et pour nous tous, mais elle endommage également l'insert de cheminée ainsi que la cheminée !!!

5.2 Première mise en service de l'insert de cheminée

Avant la première mise en service, il faut veiller à retirer les éventuels autocollants de la vitre, les pièces d'accessoires du cendrier, voire les retirer du foyer, ce qui est valable également pour les éventuelles sécurités utilisées pendant le transport. **Tous les bouchons en plastique de couverture placés sur les raccords ne fonctionnent pas, ils ont seulement le caractère de transport.** D'après l'image de la fiche technique, contrôlez si les cloisons librement insérées destinées à diriger le tirage, les blocs de chamotte ou encore le dispositif de blocage sont correctement placés (il est possible qu'ils se soient déplacés pendant le transport ou l'installation). Si vous constatez un défaut de placement, rectifiez-le, sinon le fonctionnement correct de l'appareil de chauffage risque d'être empêché. Après le placement de l'insert de cheminée, le raccord à la cheminée, voire le raccord de l'échangeur à la distribution d'eau chaude et son remplissage par le médium chauffant, chauffez le poêle et laissez chauffer tranquillement pendant au moins 2 heures. Avant et pendant le premier chauffage, laissez la porte du poêle et du cendrier légèrement ouverte (**env. 10-20mm**) de façon à ce que le matériau d'étanchéité ne se lie pas avec le vernis. Le revêtement de surface de l'insert de cheminée est formé par une couleur réfractaire qui se renforce pendant le premier chauffage, suite à une phase intermédiaire

de ramollissement. Pendant la phase de ramollissement, il existe un danger accru d'endommagement de la surface du vernis par la main ou par un objet. Pendant le premier chauffage, l'insert de cheminée doit être « allumé » avec une petite flamme, en brûlant une petite quantité de combustible, à température plutôt basse. **Tout le processus de première mise en marche du produit est effectué avec l'ouverture maximale de l'arrivée d'air. Par conséquent, les deux premiers lots de combustible doivent correspondre à la limite inférieure du mélange de combustible recommandé (à voir „FICHE TECHNIQUE“).**

Tous les matériaux doivent s'habituer à la charge thermique. En effectuant le premier chauffage avec précaution, vous empêchez la création de déchirures dans les briques en chamotte, l'endommagement du vernis et la déformation des matériaux de la construction de l'insert.

Les autres quantités de combustible doivent correspondre à la dose de bois maximale autorisée (à voir „FICHE TECHNIQUE“) pendant environ 5 - 6 heures. En raison des températures les plus élevées (puissance maximale), le durcissement du vernis est appliqué.

Le durcissement du vernis de l'insert de cheminée est accompagné d'une odeur temporaire disparaissant complètement au bout d'un moment.

C'est pour cela que pendant que la substance pulvérisée brûle, il est nécessaire d'assurer l'aération correcte de la pièce, voire d'évacuer les petits animaux ou les oiseaux de l'espace comprenant les vapeurs de vernis, il est également recommandé d'éteindre l'oxygénation des aquariums pendant ce temps.

Généralement, le réchauffement et le refroidissement de l'insert de cheminée s'accompagne d'effets acoustiques, cela ne constitue pas un défaut.

Après le refroidissement de l'insert de cheminée et éventuellement de l'échangeur, il est possible de procéder au montage de l'habillage extérieur de l'insert.

5.3 Allumage et chauffage

1. Pour les inserts de cheminée avec grille - insérez tout d'abord du papier chiffonné dans l'espace du foyer puis posez du petit bois dessus. Pour l'allumage, vous pouvez utiliser l'allume-feu fixe. Après l'allumage, laissez le feu brûler librement tout en gardant les éléments de régulation d'air ouverts. **Il est interdit d'utiliser des liquides inflammables (essence, pétrole, etc.) pour le chauffage !** Dès que le feu commence à brûler et que le tirage est suffisant, vous pouvez ajouter des bûches plus grandes sans avoir peur d'être enfumé. Chargez la quantité prescrite de combustible d'après le rendement nominal de l'insert de cheminée.

2. Pour les inserts de cheminée sans grille - seul l'air secondaire est utilisé pour la combustion, ainsi, insérez d'abord des bûches en bois dans l'espace du foyer, puis du petit bois et enfin des copeaux de bois et du papier. Après l'allumage, laissez le feu brûler librement tout en gardant les éléments de régulation d'air ouverts. **Il est interdit d'utiliser des liquides inflammables (essence, pétrole, etc.) pour le chauffage !** Dès que le feu commence à brûler et que le tirage est suffisant, vous pouvez ajouter des bûches plus grandes sans avoir peur d'être enfumé. Chargez au maximum la quantité prescrite de combustible d'après le rendement nominal de l'insert de cheminée.

La consommation de combustible est toujours indiquée dans la fiche technique. Vous pouvez régler l'intensité de la combustion à l'aide des éléments de contrôle pour l'arrivée d'air, voire en limitant le tirage dans la cheminée, si une trappe à fumée a été installée. Une trop grande quantité de combustible ou un tirage ou une arrivée d'air importants peuvent mener à la surchauffe et à l'endommagement de l'insert de cheminée. Un tirage trop faible entraîne le noircissement des vitres, voire l'échappement de la fumée dans la pièce lorsqu'on ouvre la porte et que l'on charge le combustible dans l'insert de cheminée.

Avertissement : La porte du foyer doit toujours être fermée sauf lors de la mise en service du poêle, lors du chargement de combustible et lors du retrait des cendres. Après chaque interruption prolongée du fonctionnement de l'insert de cheminée, il est nécessaire, avant de le rallumer, d'effectuer le contrôle de la non-obstruction et de la propreté des circuits de fumée, de la cheminée et de l'espace de combustion.

5.4 Chargement de combustible

Afin d'empêcher l'échappement de gaz de fumée dans la pièce pendant le chargement de combustible, nous recommandons : Environ 5 à 10 secondes avant l'ouverture de la porte du foyer, ouvrez complètement les régulateurs d'air, puis ouvrez tout d'abord légèrement la porte du foyer, attendez quelques secondes que les émanations de fumée soient aspirées dans la cheminée, et après seulement ouvrez la porte complètement. Après l'ouverture de la porte de chargement, il faut surveiller la possible chute de tisons brûlants. Après le chargement de combustible, refermez la porte du foyer. Lorsque le combustible commence à brûler (sans flamme fumeuse), réglez à nouveau le régulateur dans sa position d'origine. La quantité de combustible chargé doit correspondre à la consommation horaire indicative pour l'insert de cheminée donné (cf. fiche technique). En cas de surchauffe, la construction de l'insert peut être endommagée de façon irréversible.

Avertissement : Un échappement trop important de produits de la combustion dans la pièce pendant le chargement peut être évité en rajoutant le combustible après brûlement complet sur la base incandescente.

5.5 Utilisation pendant la période de transition

Pendant la période de transition, à savoir lorsque les températures extérieures dépassent 15 °C, pendant les journées pluvieuses et humides, ou encore en cas de fortes rafales de vent, le tirage de la cheminée (aspiration des produits de la combustion à partir de l'insert de cheminée) peut se détériorer en fonction des conditions. Pendant cette période, il convient d'utiliser l'insert de cheminée avec la plus petite quantité de combustible possible, afin qu'il soit possible, en ouvrant les arrivées d'air, d'améliorer la combustion et par conséquent le tirage de la cheminée.

Astuce : Pendant cette période, à cause des propriétés du tirage de la cheminée, ce que l'on appelle « un bouchon atmosphérique » peut survenir dans la bouche de la cheminée. Ce dernier peut causer l'infiltration de fumée dans la pièce pendant l'allumage du combustible. C'est pour cela que nous recommandons, avant l'allumage en tant que tel, de laisser tout d'abord brûler un morceau de papier chiffonné, si possible dans la partie supérieure du foyer. Cette fumée qui semble pourtant minime suffit à percer le bouchon atmosphérique créé. Ensuite, nous pouvons allumer le papier (ou l'allume-feu fixe) sans crainte et le passage sera garanti même si la cheminée est humide.

Pendant cette période, on peut également chauffer le combustible comme pour les inserts de cheminée sans grille (sans cendrier).

5.6 Récupération des cendres

Veillez à ce que le cendrier soit vidé dès qu'il est rempli environ à moitié, de façon à ce que le tas de cendres ne s'amoncelle pas trop près de la grille et que cette dernière ne s'abîme pas pour cause de surchauffe. En même temps, les cendres empêcheraient l'arrivée d'air nécessaire à la combustion. Le vidage du cendrier devrait être effectué lorsque celui-ci est froid, idéalement lorsqu'on se prépare à rallumer le poêle. Afin de nettoyer le cendrier ou encore les foyers sans cendrier lorsqu'ils sont refroidis, il est pratique d'utiliser un aspirateur destiné à l'aspiration des cendres avec filtre pour les petites impuretés. Les cendres issues du bois brûlé peuvent être utilisées pour le compost ou comme engrais. Conservez les cendres dans des récipients fermés non inflammables.

Avertissement : Avant de vider le cendrier, vérifiez s'il ne comprend pas des restes de combustible brûlant qui pourraient provoquer un incendie dans le récipient à déchets.

Avertissement : Pour certains types d'inserts de cheminée, le cendrier est placé dans le bac sous la grille sans possibilité d'extraction latérale. Le cendrier ne peut être extrait que lorsque le dispositif chauffant ne fonctionne pas et lorsqu'il est refroidi. L'accès au cendrier est permis après soulèvement de la grille.

Soyez très prudent lorsque vous ôtez les cendres brûlantes !

6. Nettoyage et entretien

Votre insert de cheminée est un produit de qualité et dans le cadre d'une utilisation normale, aucune panne majeure ne survient. L'insert de cheminée à bois ainsi que les résidus de combustion doivent être soigneusement et régulièrement vérifiés et nettoyés avant et après la saison de chauffage.

Il faut faire le nettoyage et l'entretien de l'appareil toujours et uniquement au moment où l'insert de cheminée soit complètement refroidi!

La surface d'insert de cheminée à bois est protégée par un traitement de surface résistant à la chaleur. Le revêtement résistant à la chaleur n'est pas anticorrosif. Évitez le contact direct avec de l'eau et avec d'autres détergents, des abrasifs ou des solvants.

Nettoyez la surface d'insert de cheminée à bois avec un chiffon doux et sec !

6.1 Nettoyage de la vitre

Afin de conserver la propreté de la vitre, il faut veiller à utiliser un combustible adapté, permettre une arrivée d'air de combustion suffisamment importante ainsi qu'un tirage de cheminée correspondant, mais il faut également prendre en compte la façon dont l'insert de cheminée est manipulé. Dans cet ordre d'idées, nous recommandons de ne charger qu'une seule couche de combustible et ce de façon à ce que ce dernier soit réparti le plus équitablement possible dans le foyer et à ce qu'il soit le plus loin possible de la vitre. Si la vitre est salie pendant le processus de chauffage, nous recommandons d'augmenter l'intensité de la combustion en ouvrant le régulateur d'air, ce qui entraîne généralement le nettoyage automatique de la vitre.

Si la vitre de la porte est enfumée, on peut la nettoyer, lorsque celle-ci est refroidie, à l'aide de papier journal ou d'un chiffon humide trempé dans des cendres de bois. Usuellement, au moment de nettoyage de la vitre d'un poêle, les nettoyeurs liquides sont utilisés.

Mais ces nettoyeurs liquides peuvent endommager le joint et/ou la vitre et/ou la sérigraphie décorative sur la vitre du poêle, en interaction avec les résidus de combustion (particules de cendre,.. etc.) et sans l'égard à la composition chimique du nettoyeur.

Le fabricant décline toute responsabilité des dégâts causés par l'utilisation des nettoyeurs chimiques.

6.2 Nettoyage de l'insert de cheminée / démontage des chamottes

Pendant le nettoyage, il est nécessaire d'éliminer les résidus dans les conduits de fumée et dans l'espace de combustion. Réparer, si possible en les échangeant, les parties du garnissage en chamotte qui sont tombées. Il faut veiller à ce que le garnissage en chamotte soit complet même pendant la saison de chauffage. Les espaces entre les différents raccords en chamotte servent de dilatation thermique afin d'empêcher que les raccords n'éclatent et ces espaces ne doivent pas être remplis par quoi que ce soit, par exemple une substance pour graisser comme c'était le cas pour les dispositifs chauffants à combustible solide plus anciens. **Les raccords en chamotte fissurés restent fonctionnels s'ils ne tombent pas complètement !** Pendant le nettoyage, nous recommandons d'enlever de l'insert de cheminée les parois librement placées servant à diriger le tirage, si ces dernières sont utilisées pour l'insert de cheminée (ainsi, l'accès à l'espace situé au-dessus est facilité). Le nettoyage de l'insert de cheminée (en dehors de la vitre) est effectué sans agents aqueux, par exemple par aspiration ou avec une brosse en acier. Toute modification de l'insert de cheminée est inadmissible. N'utilisez que des pièces de rechange approuvées par le fabricant. Démontage de la chamotte (cf. Àtre en chamotte). Les parties de frottement des suspensions de la porte et du mécanisme de fermeture doivent être graissées de temps en temps avec de la graisse de charbon ou de la graisse conçue pour des températures élevées. Fermez l'insert de cheminée avec les vannes adaptées lorsqu'il est hors d'usage.

6.3 Nettoyage de la cheminée

Chaque utilisateur d'un dispositif de chauffage à combustible solide est tenu d'assurer des contrôles et un nettoyage réguliers de la cheminée conformément au règlement du gouvernement n° 34/2016 du J.O. daté du 22.1.2016.

7. Mode de liquidation des emballages et du produit hors d'usage

Dans le sens de la loi n° 125/1997 du J.O. et des règlements connexes, nous recommandons le procédé suivant de liquidation de l'emballage ainsi que du produit prêt à être liquidé.

L'emballage :

- a) utiliser les parties en bois de l'emballage pour chauffer
- b) placer l'emballage en plastique dans un container pour déchets triés
- c) déposer les vis et les manches dans les matériaux triés.
- d) placer le sachet avec le séparateur d'humidité de l'air dans un récipient à déchets séparé

Le produit prêt à être liquidé :

- a) démonter la vitre et la placer dans un container pour déchets triés
- b) déposer les joints et les plaques en chamotte dans les déchets communaux
- c) déposer les parties en métal dans les matériaux triés

8. Garantie

Avant de mettre le poêle en service, il est important que vous lisiez la lettre de garantie ci-jointe. Vous y trouverez les conditions qui doivent être remplies afin que les droits de garantie soient reconnus.

Les dommages causés par une mauvaise utilisation ne sont pas couverts par la garantie.

IT Manuale generale per l'installazione e l'uso degli inserti camino della ditta Romotop spol. s r.o.

- valido in generale per tutti i tipi di inserti camino prodotti dalla ditta Romotop spol. s r.o.
Nella scheda tecnica allegata sono riportati i dati tecnici dettagliati del singolo tipo di inserto camino.

Montaggio, collegamento e messa in funzione del forno può essere effettuate solo da rivenditori autorizzati Romotop spol. s r.o..

**Gli inserti camino possono essere utilizzati esclusivamente in conformità con il presente manuale!
Non è consentito realizzare modifiche non autorizzate degli inserti camino!**

1. Introduzione
2. Descrizione tecnica
3. Norme di sicurezza
 - 3.1 Distanze di sicurezza
 - 3.1.1 Distanze di sicurezza tra gli inserti ed eventuali materiali infiammabili
 - 3.1.2 Distanza di sicurezza tra condotto di evacuazione dei fumi e materiali infiammabili o strutture edilizie
 - 3.2 Protezione della pavimentazione
 - 3.3 Misure in caso di incendio nel camino
4. Istruzioni per l'assemblaggio
 - 4.1 In generale
 - 4.2 Collegamento al camino
 - 4.3 Costruzione dell'inserto
5. Manuale d'uso
 - 5.1 Combustibile
 - 5.2 Prima messa in funzione dell'inserto
 - 5.3 Accensione del fuoco e riscaldamento
 - 5.4 Aggiunta del combustibile
 - 5.5 Impiego nel corso dei periodi di transizione
 - 5.6 Estrazione della cenere
6. Pulizia e manutenzione
 - 6.1 Pulizia del vetro
 - 6.2 Pulizia dell'inserto camino / smontaggio chamotte
 - 6.3 Pulizia del camino
7. Modalità di smaltimento della confezione e del prodotto dismesso
8. La garanzia

1. Introduzione

Grazie per aver acquistato uno dei nostri inserti camino. Le porgiamo al tempo stesso le nostre congratulazioni poiché Lei è divenuto/a proprietario/a di un inserto camino di altissimo livello realizzato dalla ditta Romotop spol. s r.o., uno dei maggiori produttori europei di termocamini.

I nostri inserti camino possono servire non soltanto come riscaldamento complementare volto a rafforzare l'atmosfera della vostra casa o altro locale, ma anche come fonte di riscaldamento principale con elevata prestazione termica, utilizzo privo di polvere e combustione perfetta, con il massimo rispetto per l'ambiente. Tutti i termocamini prodotti dalla nostra ditta sono testati secondo la norma ČSN EN 13 240/2002 o ČSN EN 13 229/2002.

Il manuale e la scheda tecnica vanno studiati attentamente nel proprio interesse. Ai fini di un utilizzo sicuro l'utente ha l'obbligo di informarsi regolarmente circa la corretta integrazione e funzionamento del presente dispositivo. Il manuale e la scheda tecnica vanno ben conservati in modo tale da essere riletti all'inizio di ciascuna stagione invernale per assicurare il regolare funzionamento del vostro inserto camino.

La garanzia per i nostri prodotti è assicurata soltanto nel caso in cui siano ben rispettate le istruzioni contenute nel presente manuale d'uso dell'inserto camino.

2. Descrizione tecnica

L'inserto camino è progettato per l'installazione in ambienti interni (appartamenti, edifici di comune utilità, ristoranti). Gli inserti camino Romotop spol. s r.o. sono prodotti in materiale di qualità – materiale edilizio, ghise, acciaio COR-TEN ed altri tipi di acciaio di alta qualità per fini edilizi e per caldaia. I pezzi sottoposti a stress sono in acciaio HARDOX. La superficie delle parti in acciaio è protetta da una vernice opaca resistente al calore. Le vernici resistenti al calore non sono anticorrosive. La camera di combustione degli inserti interamente in lamiera è riempita con lastre in chamotte estraibili che – al fine di evitare loro possibili danneggiamenti causati dalla dilatazione termica – non sono unite da nessun materiale di riempimento. La camera di combustione è chiudibile in maniera ben stabile grazie a uno speciale sportello in vetro resistente al calore. Il vetro non soltanto aumenta il valore estetico del focolare, ma consente anche un piacevole effetto creato dal passaggio del calore per irradiazione. La vetrata impedisce allo stesso tempo la caduta di scintille dal legno che brucia e la fuoriuscita di fumi nel locale. Il fondo della fornace è generalmente costituito da una griglia estraibile in ghisa. Davanti alla griglia è di solito collocata una barriera che impedisce la caduta e lo spostamento di combustibile verso lo sportello (vetrata anteriore) oppure un elemento in lamiera o ceramica. Nelle fornaci con griglia al di sotto della griglia stessa si trova un apposito spazio per il cassetto della cenere. In alcuni tipi è possibile impostare il bocchettone del condotto fumi sia per la canna superiore che posteriore. Alcuni tipi di inserti camino hanno un bocchettone girevole per il condotto di scarico fumi. La versione dell'inserto può essere ad un solo strato di copertura oppure integrata con uno strato di copertura esterno in lamiera zincata con uscite per il collegamento delle condutture termiche verso altri vani. In caso di distanza delle condutture termiche in direzione orizzontale con lunghezza superiore a **4m**, si consiglia di installare una ventola di supporto.

Gli inserti dotati di immissione separata di aria di combustione primaria e secondaria sono muniti di appositi elementi di comando. L'aria primaria è immessa direttamente nel combustibile che arde (solitamente attraverso il cassetto della cenere e la griglia); quest'aria serve per la reazione di combustione primaria. L'aria secondaria sostiene la combustione dei gas infiammabili residui nei fumi, in modo da aumentare la potenza termica del dispositivo, con inoltre un contributo significativo alla riduzione della quantità di sostanze inquinanti che si sprigionano nell'atmosfera. L'aria secondaria affluisce principalmente nello spazio al di sopra del combustibile che arde. Grazie alla presenza dell'aria secondaria si verifica il fenomeno del cosiddetto “rotolamento” (trascinamento) dell'aria fredda lungo la parte interna del vetro frontale. Questo processo impedisce anche l'annerimento del vetro. Allorché l'aria primaria è socchiusa o completamente chiusa, l'aria secondaria partecipa anche alla combustione primaria. L'aria primaria non va lasciata completamente aperta durante la fase di riscaldamento, quando il tiraggio del camino è ancora basso. Una volta riscaldato il camino è possibile socchiudere l'immissione dell'aria primaria fino a chiuderla completamente (in base alla prestazione richiesta dall'inserto). Per ridurre la potenza dell'inserto è possibile limitare anche la dose di combustibile oppure il tiraggio del camino mediante l'installazione di valvole di tiraggio (rubinetto d'arresto manuale nel condotto fumi che chiude il passaggio dell'aria fino a un massimo del **75%**). Questo accorgimento è consigliato soprattutto in caso di tiraggio del camino intorno o al di sopra di **20Pa**. L'arresto secondario serve per chiudere completamente la stufa quando non è utilizzata. Il focolare e il coperchio del cassetto della cenere devono essere sempre chiusi,

tranne che nelle fasi di messa in servizio, riempimento del combustibile ed eliminazione dei residui solidi della combustione (al fine di evitare lo sprigionarsi di fumi nell'ambiente).

In alcuni inserti è possibile installare degli scambiatori termici ad accumulo, con conseguente aumento dell'efficienza dell'intero camino e sfruttamento massimo dell'energia del combustibile. Gli scambiatori termici possono essere direttamente parte integrante di alcuni tipi di inserti, dove si utilizza anche una doppia copertura esterna dell'inserto (per il riscaldamento dell'acqua calda).

Alcuni inserti camino sono realizzati già con afflusso centralizzato di aria (ACA). Ciò permette che l'aria destinata alla combustione affluisca nella camera di combustione dell'inserto dall'esterno*, dall'anticamera, dai locali tecnici, ecc. Gli inserti camino con ACA non sono dipendenti dalla quantità di aria nell'ambiente riscaldato. Contribuiscono pertanto al mantenimento di un clima gradevole nella vostra casa e riducono anche le spese energetiche (in casa non si consuma l'aria già una volta riscaldata). Quando si installa afflusso centralizzato di aria (ACA) sulla parete, è importante assicurarsi che il tubo abbia un angolo negativo 3° rispetto al prodotto. Le linee ACA devono essere isolate.

Gli inserti camino con ACA sono assolutamente indicati per la realizzazione di caminetti in case a basso consumo energetico. **Per aumentare il confort è possibile aggiungere la regolazione elettronica della combustione al sistema di riscaldamento degli inserti con ACA.** Questo sistema permette inoltre di prolungare il processo di combustione e la frequenza delle ricariche di legna, aumentando la sicurezza dell'impiego e limitando le perdite economiche nella fase di riscaldamento e surriscaldamento del caminetto (la valvola dell'afflusso centralizzato dell'aria è comandata da un'unità di comando e da un servomotore a seconda delle date fasi di combustione e temperatura di uscita dei fumi).

Avvertimento: Gli inserti camino non sono delle stufe ad irradiazione continua e prevedono interruzioni periodiche dell'impiego, specie a causa dello svuotamento del cassetto della cenere (che va effettuato solo a ceneri fredde).

*Quando si collega a una presa d'aria esterna (esterna), si consiglia di installare una valvola a doppio effetto con un bracciale in silicone con la possibilità di chiudere la presa d'aria. Ciò eviterà la corrosione dovuta alla condensa quando la prodotto è fuori servizio. La garanzia non copre i danni causati dalla corrosione!

Attenzione, è necessario prestare attenzione per garantire che la serranda sia sempre aperta quando il prodotto è in funzione!

3. Norme di sicurezza

Gli inserti camino possono essere utilizzati in ambienti normali ai sensi della norma ČSN 33 2000-1 ed.2/2009. In caso di modifica all'ambiente con possibilità di incendi anche temporanei o di esplosioni (per esempio in caso di applicazione di linoleum, PVC, durante lavori in cui si utilizzano materiali di rivestimento ecc.) è necessario provvedere puntualmente a mettere fuori servizio l'inserto camino prima ancora che si possano creare condizioni di pericolo. L'inserto camino può essere impiegato soltanto dopo aver ben aerato l'ambiente (il modo migliore è creando correnti d'aria).

Durante l'impiego è necessario assicurare l'afflusso di una quantità sufficiente di aria di combustione nonché di aria destinata all'aerazione dell'ambiente, soprattutto quando il termocamino è impiegato simultaneamente ad altri dispositivi termici (da 8 a 15m³ circa per bruciare 1 kg di combustibile)! Se le porte e le finestre sono ben chiuse senza perdite d'aria, le suddette condizioni non vengono comunque ad essere così indispensabili! Questo problema è risolto dal sistema ACA, collegato ad un locale separato. Allo stesso tempo bisogna stare attenti a non far intasare la griglia di regolazione dell'aria di combustione, aerazione e riscaldamento. Quando si effettua la ricarica di combustibile lo sportello va aperto sempre delicatamente. In questo modo si eviterà la fuoriuscita di fumo e cenere nell'ambiente. Gli inserti camino richiedono interventi e monitoraggio occasionali.

Per l'accensione e per la fase di riscaldamento non è consentito utilizzare liquidi infiammabili! Si fa inoltre divieto di bruciare qualsiasi tipo di materiale plastico, legna ricoperta o intrisa di leganti chimici (compensato, ecc.) o rifiuti domestici non separati contenenti residui plastici ecc. (ai sensi della legge 201/2012).

Durante la fase di riscaldamento fare attenzione a non lasciare che i bambini manipolino gli inserti camino. Le operazioni sugli inserti camino possono essere eseguite solo da una persona adulta.

Mentre l'inserto è in funzione tutte le varie manopole e pulsanti vanno manipolati attraverso tenaglie, gancetti o guantone termoresistente (presina) – v'è infatti pericolo di ustione! Durante il funzionamento e per

tutto il tempo in cui l'inserto è ancora caldo è vietato appoggiare sull'inserto eventuali oggetti in materiale infiammabile che potrebbero causare incendi. È necessario essere particolarmente attenti durante la fase di manipolazione del cassetto della cenere ed eliminazione della cenere calda, dato che si rischia di rimanere ustionati. La cenere calda non può essere a contatto con oggetti infiammabili - per esempio non va mai scaricata in contenitori di rifiuti urbani.

Nell'utilizzo stagionale e in caso di cattivo tiraggio o condizioni climatiche avverse, è necessario dedicare particolare attenzione alla fase di messa in servizio dell'inserto. Dopo il periodo di interruzione dell'impiego, prima di riaccendere, è necessario controllare che non si siano intasate le vie dei fumi.

Nella fase di utilizzo ed installazione degli inserti camino è necessario rispettare le norme di sicurezza secondo ČSN 06 1008/1997, soprattutto:

3.1 Distanze di sicurezza:

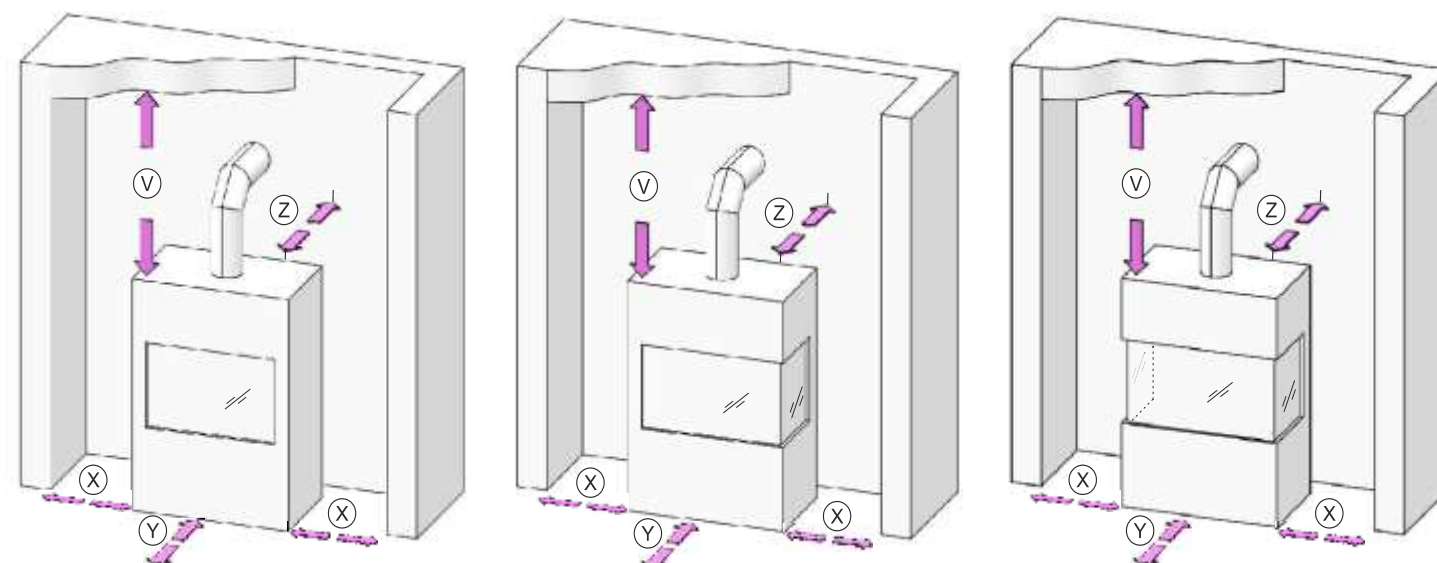
3.1.1 Distanze di sicurezza tra gli inserti ed eventuali materiali infiammabili

In fase di installazione degli inserti camino in ambienti con presenza di oggetti infiammabili appartenenti alla classe B, C a D è necessario rispettare la distanza di sicurezza prevista nella norma ČSN 06 1008/1997 – dallo sportello 80cm e nelle altre direzioni 40cm – (vedi fig. 1) per quanto riguarda gli inserti camino con doppio strato di copertura, ovvero 20cm.

Nel caso in cui l'inserto sia installato in ambienti con presenza di oggetti infiammabili appartenenti alla classe E o F è necessario raddoppiare le suddette distanze. Per informazioni sul livello di infiammabilità di alcuni materiali edili si rimanda alla norma ČSN EN 13501-1+A1/2010 e ČSN 73 0810/2016. Qualora non fosse possibile rispettare la distanza di sicurezza tra la stufa e le sostanze infiammabili come previsto dalla norma, è necessario utilizzare una barriera di protezione come da 4.4.1 ČSN 06 1008/1997.

Materiali da costruzione classificati in base alla classe fuoco	
A1 o A2	granito, gres, cementi, mattoni, piastrelle in ceramica, intonaci spec. ...
B	akumin, heraklit, lihnos, itaver ...
C	legno di latifoglie, compensato, sirkoklit, formica carta, umakart ...
D	legno di tenero, pannelli di particelle, solodur, lastre in sughero, gomma, materiali da pavimentazione
E o F	tavole in fibra di vetro, polistirolo, poliuretano ...

Distanza da materiali infiammabili, vedi. Tabella Scheda tecnica



3.1.2 Distanza di sicurezza tra condotto di evacuazione dei fumi e materiali infiammabili o strutture edilizie

La distanza di sicurezza minima tra il rivestimento degli stipiti delle porte o altre strutture architettoniche con simili funzioni in materiale infiammabile e l'installazione del condotto (compreso isolamento) è pari a **20cm**. La distanza minima dagli altri componenti strutturali in materiale infiammabile è pari a **40cm** (vedi fig. 2) ai sensi della norma ČSN 06 1008/1997. Trattasi di materiale edile di classe **B, C e D** ai sensi della norma ČSN EN 13501-1+A1/2010 (vedi tabella n.1). Questa regola vale anche per le pareti e soprattutto per i soffitti con intonaco con base infiammabile - per esempio assi, pannelli ecc.! Qualora non fosse possibile rispettare le suddette distanze, è necessario comunque prevenire il pericolo d'incendio ricorrendo ad apposite misure tecnico-strutturali, rivestimenti non infiammabili, isolamenti e barriere resistenti al calore.

3.2 Protezione della pavimentazione

Se il caminetto non è installato su una superficie che non sia al **100%** non-infiammabile, è necessario collocarla su una base isolante non-infiammabile, per esempio in lamiera (spessore min. 2 mm), ceramica, vetro, pietra, in modo che la temperatura della superficie infiammabile (ai sensi della norma ČSN 73 4230/2014) non superi i **50°C** durante il funzionamento.

In base a 5.1.3.3 ČSN 06 1008/1997 la base isolante deve superare in dimensioni il focolare di almeno

- **80cm** in direzione perpendicolare allo sportello dell'inserto.
- **40cm** in direzione parallela allo sportello dell'inserto.

È vietato collocare oggetti in materiale infiammabile sull'inserto o a distanza inferiore alla distanza di sicurezza dall'inserto.

3.3 Misure in caso di incendio nel camino:

Con il normale funzionamento (e soprattutto se si utilizza combustibile umido) si creano dei depositi di fuliggine e catrame nel camino. Se si trascurano i controlli regolari e la pulizia del camino **come da decreto governativo n. 34/2016 Racc. del 22.1.2016** aumenteranno i rischi di incendio.

Nel caso in cui la fuliggine e il catrame nel camino prendano fuoco, procedere come segue:

- non estinguere mai con acqua poiché si formerebbe una gran quantità di vapore con conseguente rottura del camino
- se possibile, si consiglia di cospargere sabbia asciutta nel focolare e quindi estinguere il fuoco
- chiudere tutte le entrate di aria per la combustione; se possibile coprire il camino, senza che però il fumo di ritorno si accumuli nell'ambiente domestico
- contattare il corpo dei vigili del fuoco locale per valutare se è necessario o meno chiamare il pronto intervento dei pompieri
- finché le fiamme nel camino non si sono estinte, non lasciate la casa, ma controllare continuamente la temperatura del camino e il comportamento del fuoco che brucia
- una volta cessato l'incidente, prima di riaccendere il caminetto, contattare il servizio spazzacamini per valutare lo stato del camino nonché il produttore dell'inserto camino per un'ispezione allo stesso.

4. Istruzioni per l'assemblaggio

Avvertimento: Durante l'assemblaggio dell'inserto camino è necessario rispettare tutte le prescrizioni locali, comprese quelle relative alle norme nazionali ed europee per questo tipo di dispositivi, e in particolare:

ČSN 73 4230/2014 – Caminetti con apertura/chiusura del focolare

ČSN EN 13229/2002+A1/2003+A2/2005 – Dispositivi integrati per il riscaldamento e inserti camino a combustibile solido

ČSN EN 13240/2002+A2/2005 – Dispositivi a combustibile solido per il riscaldamento di ambienti abitati

ČSN 73 4201/2016 ed.2 – Camini e canne fumarie – Progettazione, esercizio e collegamento dei dispositivi a combustibile

ČSN EN 1443/2004 - Camini – Requisiti generali

ČSN EN 13501-1+A1/2010 – Classificazione antincendio dei prodotti per l'edilizia e delle strutture dei fabbricati

ČSN 06 1008/1997 – Dispositivi di sicurezza antincendio

Decreto **no. 268 / 2011 racc.** - le condizioni tecniche per la protezione antincendio degli edifici

4.1 In generale

L'inserto camino va installato su un apposito appoggio fornito dal fornitore oppure su uno zoccolo in muratura posto sul pavimento e avente adeguata capacità di carico; per gli inserti con struttura complementare bisogna considerare anche il peso di quest'ultima! Se le condizioni strutturali non soddisfano questa condizione indispensabile, è necessario prendere opportune misure per rispettare tale requisito (per esempio utilizzo di una base di distribuzione del carico). In fase di installazione è necessario assicurare un adeguato spazio di accesso per la pulizia dell'inserto camino, del condotto fumi e del camino, a meno che non sia possibile effettuare la pulizia da un'altra zona (per esempio dal tetto oppure da apposito sportello).

4.2 Collegamento al camino

Prima di assemblare l'inserto camino chiuso è necessario eseguire opportuni calcoli volti ad assicurare che la struttura del camino (per la sua fattura, dimensioni degli sfiati e altezza utile) sia conforme alla potenza nominale del caminetto.

Un presupposto essenziale per il corretto funzionamento dell'inserto camino è un buon camino (sezione minima, tiraggio del camino, guarnizioni, ecc.). Pertanto è necessario consultare il servizio spazzacamino prima ancora di installare l'inserto camino. I valori relativi al camino sono riportati nella scheda tecnica allegata. Se il tiraggio del camino è troppo alto, è opportuno installare un'adeguata valvola o un regolatore di tiraggio del camino. Un tiraggio troppo elevato può causare problemi durante il funzionamento, per esempio combustione troppo intensa ed elevato consumo di combustibile, con possibili conseguenti danni permanenti all'inserto camino.

L'altezza utile minima del camino per lo scarico dei fumi dal caminetto è **5m** (con misurazione dall'anello fino all'uscita del camino). L'ingresso del camino deve essere munito di apposito anello di rinforzo. Per il collegamento alla canna fumaria consultare il produttore della canna fumaria. La canna fumaria deve essere fatta passare ad almeno **5cm** al di sotto del soffitto. Il bocchettone di scarico va collegato al camino secondo il percorso più corto possibile, in modo che la lunghezza delle vie dei fumi sia pari a massimo **1/4** dell'altezza utile del camino (ovvero **1,5m**). I tubi del condotto fumi e il tubo a gomito vanno collegati in maniera ben serrata tra di loro (con sovrapposizione), in maniera tale che i giunti siano sempre posizionati in conformità con il flusso dei fumi – o altrimenti con collegamento testa a testa mediante anelli di giunzione. Se il pezzo di giunzione passa attraverso elementi edilizi realizzati in materiale infiammabile è necessario adottare misure di protezione ai sensi della norma ČSN 06 1008/1997. Secondo la norma il condotto fumi deve salire in direzione della canna fumaria seguendo il flusso dei fumi, con un angolatura minima di **3°**. Fattori molto importanti sono il serraggio e la robustezza dei giunti. Il camino e il collegamento della stufa devono essere conformi alla norma ČSN 73 4201/2016 ed.2. Il rivestimento del camino (alla più alta temperatura di esercizio del caminetto) non può avere una temperatura superiore a **52°C**. La sezione degli sfiati del condotto fumi non può essere superiore alla sezione dello sfiato del camino e non può neanche restringersi in direzione del camino. Se dai calcoli risulta che la sezione dello sfiato del condotto fumi e del camino può essere inferiore alla sezione del bocchettone di scarico fumi dell'inserto camino, si ridurrà la sezione del condotto fumi immediatamente dietro al bocchettone fumi dell'inserto (con una leggera inclinazione o scarto). Il condotto fumi flessibile in mat. come da tab. **A.1.** può essere utilizzato soltanto in locali dove è possibile assicurare un controllo come da **7.2.1 ČSN 73 4201/2016 ed.2**; se il condotto fumi non passa attraverso spazi liberi, è necessario garantire il relativo controllo ai sensi di **7.2.5 ČSN 73 4230/2014**. I condotti fumi verticali possono essere utilizzati soltanto nei casi riportati in **8.3.4 e 8.3.5 ČSN 73 4230/2014**.

L'inserto camino può essere collegato ad uno sfiato comune con eventuali apparecchi a gas **in camini a più strati secondo la norma ČSN 73 4201/2016 ed.2.**

La fuoriuscita di acqua nel prodotto quando si utilizza una canna fumaria verticale con funzione camino non è motivo di reclamo!

4.3 Costruzione dell'inserto

Per l'integrazione degli inserti camino nel caminetto sono necessarie conoscenze specifiche. La costruzione del caminetto è regolata dalla norma ČSN 73 4230/2014. **Montaggio, collegamento e messa in funzione del forno può essere effettuate solo da rivenditori autorizzati Romotop spol. s r.o..**

Durante l'installazione e l'installazione di un inserto a camino, seguire le seguenti istruzioni:

1. È necessario rispettare tutte le prescrizioni di sicurezza e assemblaggio riportate sopra.
2. Dopo l'installazione dell'intero caminetto non vi possono essere limitazioni all'ingresso/uscita dell'aria di convezione dovute ad elementi architettonici posizionati a vostro piacimento. La sezione dell'ingresso/uscita dell'aria di convezione è riportata nella scheda tecnica.
3. Per fini estetici le cornicette dello sportello sono dimensionalmente caratterizzate da piastrelline in ceramica prodotte dalla ditta Romotop spol. s r.o.
4. Il materiale della struttura deve essere conforme ai tipi di materiali destinati a tale uso.
5. L'uscita dell'aria di convezione riscaldata deve essere ad almeno **30cm** al di sotto del soffitto (fig. 2).
6. Al di sopra dell'uscita dell'aria di convezione riscaldata è necessario che vi sia un soffitto in materiale non infiammabile. La sua temperatura non può superare i **50°C**. Pertanto il soffitto o controsoffitto deve essere isolato contro gli effetti dell'azione del calore proveniente dal caminetto attraverso uno schermo dotato di almeno un'apertura non completamente chiudibile con griglia (fig. 2) oppure mediante uno strato sufficiente di isolamento termico.
7. Per le pareti adiacenti al caminetto e per la pavimentazione valgono le stesse condizioni di cui sopra. Tra l'isolamento termico e la parete deve esserci un'intercapedine d'aria (con buona aerazione). Sulla superficie della parete si consiglia di applicare fogli di alluminio.
8. All'interno della parete dove è installato il caminetto non possono essere collocati fili dell'elettricità, condutture di acqua o gas. Sempre all'interno di tale parete (e neppure sopra di essa) non può esservi presenza di materiali infiammabili o materiali che potrebbero sprigionare sostanze tossiche per effetto del calore.
9. Tra l'inserto camino e lo strato di copertura è obbligatorio rispettare le distanze minime richieste (vedi scheda tecnica) per tutta l'altezza dell'inserto camino e per l'intera larghezza, in modo tale che l'aria di convezione possa fluire liberamente evitando il surriscaldamento dell'impianto del caminetto.
10. Eventuali condotti d'aria devono essere a distanza di almeno **40cm** dalle strutture architettoniche in materiali infiammabili, o altrimenti è necessario dimostrare che l'azione del calore proveniente dalle tubature non faccia prendere fuoco alle strutture stesse. Nelle vicinanze dell'inserto l'aria di convezione può raggiungere temperature fino a **300°C!**
11. **Ricordatevi** che gli inserti camino irradiano calore anche verso il pavimento. Il pavimento nel locale dove è installato il caminetto (e a distanza di almeno **80cm** dal focolare e **40cm** dai lati del focolare) deve essere in materiale non infiammabile. La distanza si misura a partire dal lato più prossimo del focolare. Il pavimento sotto il caminetto deve avere capacità di carico adeguata.
12. **Ricordatevi** che se intendete inserire delle cornici decorative in legno, è necessario che queste siano prodotte con legno di qualità e umidità massima del 15%; inoltre intorno ad esse deve anche fluire aria di convezione raffreddante con uno spazio libero di almeno **1cm**, o altrimenti le cornicette devono essere termicamente isolate dal caminetto in modo tale che la loro temperatura di superficie non superi **52°C**.
13. Per quanto riguarda la conduzione dell'aria calda mediante circolazione naturale dell'aria si consiglia di scegliere delle condutture orizzontali di lunghezza massima pari a 4m. Per quanto riguarda invece la conduzione di aria calda mediante circolazione forzata dell'aria non vi sono limiti di lunghezza delle condutture.
14. I tubi per le condutture dell'aria devono essere ben isolati e in materiale resistente alle temperature di esercizio. Si consiglia di isolarli per la loro intera lunghezza, specie nelle zone di passaggio attraverso la parete o soffitto oppure intorno a materiali infiammabili.
15. Gli sfiati dell'aria calda non possono essere collocati in ambienti dove vi siano materiali inclini a

modifiche strutturali dovute alla temperatura (per esempio riempimenti in polistirene, alcuni tipi di tappeti ecc.).

16. Gli inserti camino non possono essere sottoposti ad alcuna modifica strutturale né essere alterati in alcuna maniera!!!

Durante l'assemblaggio dell'inserto camino è necessario rispettare tutte le prescrizioni locali, comprese quelle relative alle norme nazionali ed europee. Prima di iniziare i lavori fatevi elaborare un progetto specifico.

La documentazione di progetto deve essere elaborata su scala **1:10** o **1:20**. Prima di mettere in funzione il caminetto è necessario far effettuare un controllo da parte dello spazzacamino e testare il passaggio dei fumi come indicato nel **capitolo 9 ČSN 73 4201/2016 ed.2**. Il controllo del collegamento del camino, attraverso il condotto fumi fino alla canna fumaria e all'uscita del camino, va effettuato prima di chiudere il passaggio dei fumi verso la camera ad aria calda. Il risultato dell'ispezione è registrato nella relazione di ispezione del gas di scarico, inclusa la relazione tecnica secondo il decreto **n. 34/2016 Racc.**

Tieni attentamente la relazione di revisione e la relazione tecnica!

Sezione verticale di un caminetto ad un solo strato di copertura con focolare chiuso

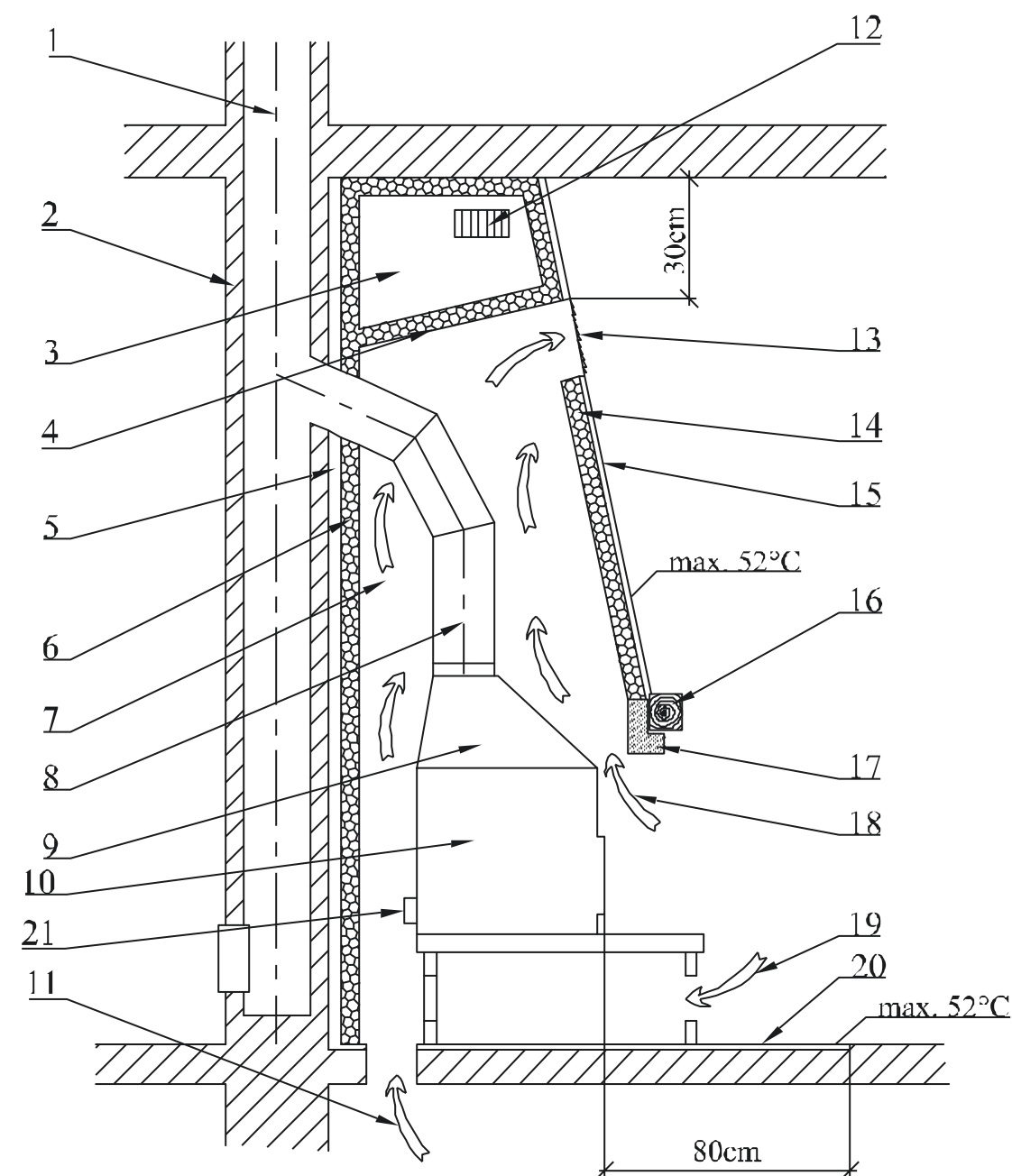


Fig. 2

01 – sfiato del camino	11 – afflusso d'aria da altro locale (o ACA)
02 – parete dell'edificio	12 - aerazione dell'intercapedine d'isolamento del soffitto
03 – intercapedine d'isolamento sopra la camera	13 – uscita aria calda dalla camera
04 – soffitto della camera ad aria calda	14 – strato di isolamento termico
05 – intercapedine d'aria ventilata	15 – parete della camera ad aria calda
06 – strato di isolamento termico	16 – cornice del caminetto
07 – spazio della camera ad aria calda	17 – protezione della cornice del caminetto
08 – condotto fumi dell'inserito camino	18 – afflusso d'aria verso la camera ad aria calda
09 – camera di fumo dell'inserito camino	19 – afflusso d'aria dalla zona sotto l'inserito camino
10 – focolare del caminetto chiuso	20 – superficie non infiammabile (base) davanti al caminetto
	21 – bocchettone ACA

Lo schema della disposizione dell'insieme del camino è generalmente valido anche per gli inserti camino a due strati di copertura e per gli inserti camino con scambiatore ad accumulo di calore e acqua calda.

5. Manuale d'uso

5.1 Combustibile

Negli inserti camino è possibile bruciare soltanto legna che siano conformi alla legge **n. 201/2012 Racc.** Ai fini del raggiungimento dei parametri nominali della stufa si consiglia di utilizzare legna secca di diametro **5-8cm**, lunghezza **20-30cm** e umidità inferiore al **20%** (valore ottimale **10%**). Eventuali scaglie e pezzetti minuti di legno possono essere impiegati solo in fase di accensione. Il grado di secchezza consigliato per il legno viene raggiunto immagazzinando la legna per almeno due anni in un ambiente coperto e ventilato.

Utilizzando gli inserti camino come fonte di riscaldamento è necessario rispettare la potenza nominale riportata nella scheda tecnica, ovvero combustione della data quantità di combustibile nell'arco di **1 ora**. In caso di sovraccarico eccessivo e di lunga durata si rischia di danneggiare il termocamino.

Come combustibile non utilizzare mai liquidi infiammabili, coke, carbone o rifiuti come: pannelli in compensato, materiale plastico, sacchetti, legna bagnata oppure solo trucioli di legno segatura o pellet!

!!! La combustione di questi materiali non solo inquina l'ambiente arrecando danni a noi tutti, ma rovina anche l'inserito e il camino !!!

5.2 Prima messa in funzione dell'inserito

Precedentemente alla prima messa in funzione è necessario eliminare eventuali etichette dal vetro ed eventuali accessori nel cassetto della cenere o nel focolare, compresi ovviamente elementi di fissaggio per il trasporto. **I tappi in plastica presenti sulle giunzioni filettati non hanno nessuna funzione. Sono presenti solo per facilitare il trasporto.** Seguendo la figura nella scheda tecnica verificare che i pannellini per il direzionamento del tiraggio, i mattoni in chamotte e la sbarra siano ben posizionati (è possibile infatti che durante il trasporto o in fase di installazione si siano spostati e non siano più nella posizione corretta). Se si riscontra un determinato difetto di posizione, provvedere a correggerlo; altrimenti sarà messo a repentaglio il corretto funzionamento della stufa. Una volta installato l'inserito ed effettuato il collegamento al camino (eventualmente anche il collegamento dello scambiatore alle condutture dell'acqua calda e il suo riempimento con vettore termico) procedere con l'accensione e far bruciare lentamente per almeno due ore. Prima e durante la prima accensione lasciare lo sportello della stufa e il cassetto della cenere leggermente aperti (**circa 10 – 20 mm**) per evitare che il materiale isolante non si attacchi alla vernice. Per il trattamento di superficie dell'inserito camino è impiegata vernice a prova di calore che alla prima accensione (dopo un temporaneo ammorbidimento) finisce per indurirsi. Durante la fase di ammorbidimento attenzione all'aumentato rischio di danni alla superficie verniciata se vi si appoggiano le mani o altri oggetti. Durante la fase della prima accensione l'inserito

camino deve “bruciare” con piccole fiamme, con quantità minori di combustibile e a temperature più basse del solito.

L'intero processo di messa in funzione della prodotto avviene con l'alimentazione dell'aria completamente aperta. Per questo motivo, le prime due quantità di carburante devono corrispondere al limite inferiore della quantità di carburante consigliata. (Vedi tabella - SCHEDE TECNICHE).

Tutti i materiali devono abituarsi al carico termico. Se questa fase è eseguita con la dovuta cautela si impedirà la comparsa di screpolature nei mattoni in chamotte, danni alla vernice e deformazioni dei materiali di costruzione dell'inserito.

Le successive le quantità di combustibile devono corrispondere alla quantità massima consentita di legna (vedi tabella - SCHEDE TECNICHE), mentre 5-6 ore. La temperatura più alta (potenza max.) Fa indurire la vernice.

La fase di indurimento della vernice dell'inserito camino è caratterizzata da un cattivo odore temporaneo, che dopo un po' scomparirà del tutto.

Pertanto durante questa fase è necessario assicurare una buona aerazione del locale ed eventualmente evitare la presenza di animali domestici di piccola taglia o uccelli nei locali contaminati dai vapori della vernice; durante questa fase si consiglia anche di spegnere il dispositivo di rigenerazione dell'aria degli acquari.

In generale il riscaldamento e il raffreddamento dell'inserito camino è accompagnato da un effetto acustico che non è assolutamente da considerare un difetto.

Dopo il raffreddamento dell'inserito camino (ed eventualmente dello scambiatore) è possibile procedere all'assemblaggio del rivestimento esterno dell'inserito.

5.3 Accensione del fuoco e riscaldamento

1. Negli inserti camino con griglia – nell'alloggiamento del focolare collocare dapprima la carta e su di essa i pezzetti di legno. Per accendere il fuoco si possono utilizzare prodotti accendifuoco tipo diavolina. Una volta acceso il fuoco lasciar bruciare ricordandosi di tenere aperti gli elementi di regolazione dell'aria. **Si fa divieto di utilizzare sostanze infiammabili liquide per accendere il fuoco (benzina, petrolio ecc.)!** Non appena il fuoco comincia ad ardere bene e il tiraggio è sufficiente, si possono inserire i pezzi di legno più grandi oppure senza temere di far troppo fumo. Inserire la quantità stabilita di combustibile a seconda della potenza nominale dell'inserito camino.

2. Negli inserti camino senza griglia – per la combustione si utilizza soltanto l'aria secondaria; pertanto bisogna dapprima inserire la legna nel focolare, poi i legnetti piccoli e infine i ceppi e la carta. Una volta acceso il fuoco lasciar bruciare ricordandosi di tenere aperti gli elementi di regolazione dell'aria. **Si fa divieto di utilizzare sostanze infiammabili liquide per accendere il fuoco (benzina, petrolio ecc.)!** Non appena il fuoco comincia ad ardere bene e il tiraggio è sufficiente, si possono inserire i pezzi di legno più grandi oppure senza temere di far troppo fumo. Inserire la quantità stabilita di combustibile a seconda della potenza nominale dell'inserito camino.

Il consumo di combustibile è sempre indicato nella scheda tecnica. L'intensità della combustione va regolata mediante gli appositi elementi di comando dell'immissione d'aria o eventualmente limitando il tiraggio nel camino, se v'è una valvola fumi installata. Un'ingente quantità di combustibile o un forte tiraggio e immissione d'aria può causare surriscaldamento e danni all'inserito camino. Un tiraggio troppo basso causa l'annerimento del vetro e l'eventuale fuoriuscita di fumo nel locale quando si va ad aprire lo sportello per reinserire legna nel caminetto.

Avvertimento: Lo sportello del focolare deve essere sempre chiuso, fatta eccezione per la fase di messa in funzione, ricarica del combustibile ed eliminazione delle ceneri. Dopo l'interruzione dell'uso, prima di ripetere l'accensione è necessario controllare la viabilità e la pulizia del condotto fumi, camino e luogo di combustione.

5.4 Aggiunta del combustibile

Al fine di evitare la fuoriuscita dei gas dei fumi nel locale durante la fase di ricarica della legna, si consiglia: circa 5-10 secondi prima di aprire lo sportello del focolare aprire completamente i regolatori d'aria, quindi aprire di poco lo sportello con molta cautela, attendere alcuni secondi affinché i fumi vengano aspirati nel camino e infine aprire completamente lo sportello. Dopo aver aperto lo sportello è sempre necessario prestare molta attenzione poiché possono cadere tizzoni ardenti. Dopo l'inserimento del combustibile richiudere lo sportello del focolare. Una volta che il fuoco arde bene (senza fiamma che fa fumo), riposizionare il regolatore nella posizione originaria. La quantità di combustibile inserito deve corrispondere al consumo orario indicativo per il dato inserto camino (vedi scheda tecnica). In caso di surriscaldamento si possono registrare danni permanenti alla struttura dell'inserto.

Avvertimento: Per evitare l'eccessiva fuoriuscita di gas nel locale durante la fase di ricarica della legna riaggiungere combustibile dopo la sua totale combustione sulla brace ancora ardente.

5.5 Impiego nel corso dei periodi di transizione

Durante i periodi di transizione (ovvero a temperature esterne superiori a 15°C, in giornate di pioggia e umide, con forti ventilate) si possono verificare problemi con il tiraggio del camino (estrazione dei fumi dall'inserto camino). Durante questi periodi è opportuno far funzionare l'inserto camino con la quantità più esigua possibile di combustibile, in modo tale che – aprendo l'immissione d'aria – sia possibile migliorare la combustione e quindi anche il tiraggio del camino.

Consiglio: Durante questi periodi, per effetto delle caratteristiche del tiraggio del camino, si può creare un intasamento atmosferico a livello della bocca del camino. Questo fenomeno può provocare fumo nel locale al momento dell'accensione del combustibile. Si consiglia pertanto - prima di accendere il fuoco - di lasciar prima ardere completamente un po' di carta, preferibilmente nella parte alta del focolare. Il fumo che ne fuoriesce, pur apparentemente trascurabile, è comunque sufficiente per perforare e quindi eliminare l'intasamento atmosferico. Quindi si può tranquillamente accendere la carta (o la diavolina) poiché ora è garantito il giusto passaggio d'aria anche con camino umido.

Durante questi periodi è anche possibile riscaldare come negli inserti camino senza griglia (senza cassetto della cenere).

5.6 Estrazione della cenere

Il cassetto della cenere deve essere svuotato già quando è metà pieno, in modo che il monte di cenere non si avvicini troppo alla griglia provocando danni a causa del surriscaldamento. Allo stesso tempo la cenere ostacolerebbe l'afflusso d'aria necessaria per la combustione. Il cassetto della cenere va svuotato quando è freddo, preferibilmente durante la fase di preparazione di un'altra accensione. Per la pulizia del cassetto della cenere o del focolare senza cassetto della cenere – sempre a freddo – si può benissimo utilizzare un aspirapolvere idoneo per l'aspirazione di cenere con filtro per impurità fini. La cenere prodotta dalla legna bruciata può essere compostata oppure usata come fertilizzante. La cenere va collocata in contenitori chiusi di materiale non infiammabile.

Avvertimento: Prima di svuotare il cassetto della cenere verificare che non vi siano residui di carburante ardenti che potrebbero incendiare il contenitore dei rifiuti.

Avvertimento: In alcuni tipi di inserti camino il cassetto della cenere è collocato in un carter sotto la griglia e non è possibile estrarlo lateralmente. In questo caso il cassetto può essere estratto solo quando la stufa è spenta e fredda. Per accedere al cassetto della cenere bisogna alzare la griglia.

Prestare particolare attenzione alla fase di rimozione della cenere calda!

6. Pulizia e manutenzione

Gli inserti camino sono un prodotto di qualità e in condizioni di normale impiego non si verifica nessun danno rilevante. Stufa a legna e canna fumaria gas percorsi devono essere regolarmente e accuratamente controllati e puliti prima e dopo la stagione di riscaldamento.

Pulizia ed ispezione del focolare sono da fare solamente con camera combustione spenta e fredda!

La superficie del focolare è stata trattata con un'impregnante termoresistente. Questa protezione non sigilla la superficie per corrosione. Evitate diretto contatto con acqua, prodotti di pulizia, materiali abrasivi e solventi.

Le superfici possono essere pulite con un panno secco e morbido!

6.1 Pulizia del vetro

I fattori importanti per mantenere pulito il vetro sono combustibile adeguato, afflusso sufficiente di aria di combustione, buon tiraggio del camino e infine la modalità di utilizzo e funzionamento dell'inserto camino. A riguardo consigliamo di applicare solo uno strato di combustibile in modo che la legna sia posizionata nel focolare nella maniera più omogenea possibile e in modo che essa sia il più lontano possibile dal vetro. Nel caso in cui il vetro si sporchi durante il riscaldamento consigliamo di aumentare l'intensità della combustione aprendo il regolatore dell'aria; in questa maniera gran parte del vetro si pulirà da sola.

Se il vetro è appannato e sporco per via del fumo, lo si può pulire (a freddo) con fogli di giornale o panno umido intriso nella cenere del legno. In genere la pulizia dei vetri delle stufe avviene con l'utilizzo di detersivi liquidi. Tuttavia, indipendentemente dalla composizione del detergente e dalla sua interazione con i residui di combustione (particelle di cenere, ecc ...), questi possono in molti casi danneggiare le guarnizioni delle stufe e/o il vetro e/o il colore decorativo del vetro della stufa.

Il produttore non si assume alcuna responsabilità per danni derivanti dall'utilizzo di prodotti chimici.

6.2 Pulizia dell'inserto camino / smontaggio chamotte

In fase di pulizia è necessario rimuovere i residui rimasti nel condotto fumi e nel vano della combustione. Le parti rovinate o non correttamente sistemate del rivestimento in chamotte vanno riparate, preferibilmente sostituite. La completezza del rivestimento in chamotte va monitorata anche durante la stagione di utilizzo della stufa. Gli spazi tra i singoli mattoni in chamotte rispondono a criteri di dilatazione termica al fine di impedire la formazione di cricche nei mattoni; pertanto questi spazi non possono essere assolutamente colmati per esempio con materiale di riempimento (come si era soliti fare nelle vecchie stufe a combustibile solido). **I mattoni in chamotte che presentano screpolature non perdono la propria funzione, purché non siano completamente sgretolati!** In fase di pulizia consigliamo di estrarre dall'inserto camino le barriere di direzionamento del tiraggio – se presenti. In questo modo si accede più facilmente allo spazio al di sopra di esse. La pulizia dell'inserto camino (eccetto il vetro) si effettua senza preparati a base di acqua, per esempio mediante aspirazione oppure con spazzole d'acciaio. Non è consentito nessun tipo di modifica all'inserto camino. Utilizzare solo pezzi di ricambio approvati dal produttore. Smontaggio degli chamotte (vedi Camera chamotte). Le superfici di attrito delle cerniere dello sportello e del meccanismo di chiusura vanno di tanto in tanto lubrificate con grasso al carbonio o altro lubrificante per alte temperature. Chiudere l'inserto camino con i rispettivi arresti, se fuori servizio.

6.3 Pulizia del camino

Ciascun utente di stufe a combustibile solido ha l'obbligo di controllare regolarmente e pulire il camino **ai sensi del decreto governativo n. 34/2016 Racc. del 22.1.2016.**

7. Modalità di smaltimento delle confezioni e del prodotto dismesso

Ai sensi della legge n. 125/1997 Racc. e normative collegate, si consiglia la seguente modalità di smaltimento della confezione e del prodotto dismesso che ormai non è più utilizzabile.

Confezione:

- a) le parti in legno della confezione vanno bruciate come combustibile per il riscaldamento
- b) la confezione in plastica va gettata in un contenitore per la raccolta differenziata
- c) le viti e i supporti vanno consegnati al deposito rottami
- d) il sacchetto con separatore dell'umidità dell'aria va gettato nel rispetto della raccolta differenziata

Prodotto dismesso non più utilizzabile:

- a) smontare il vetro e gettarlo in un contenitore per la raccolta differenziata
- b) le guarnizioni e i pannelli in chamotte vanno gettati tra i rifiuti solidi urbani
- c) le parti metalliche vanno consegnate al deposito rottami

8. La garanzia

Prima della messa in funzione del caminetto è importante leggere attentamente il foglio di garanzia e delle istruzioni. Trovate tutte le istruzioni in modo da soddisfare un eventuale richiesta di garanzia.

L'utilizzo non corretto ha di conseguenza la perdita delle garanzie del prodotto.